

Wooden furniture lock



A-611-22-C18
Ø18mm

A-711-22-C18
Ø16.5mm



A-611-22-C23
Ø18mm

A-711-22-C23
Ø16.5mm

LEVER LOCK

Specifications

- LEVER LOCK
- 90° ROTARY CAM MOVEMENT, CONVERTIBLE
- AVAILABLE IN TWO DIAMETERS: 16.5mm & 18mm
- 22mm CYLINDER HOUSING LENGTH
- CLICK ACTION MECHANISM
- KEY REMOVABLE IN LOCKED & UNLOCKED POSITIONS
- ZINC ALLOY DIE CAST

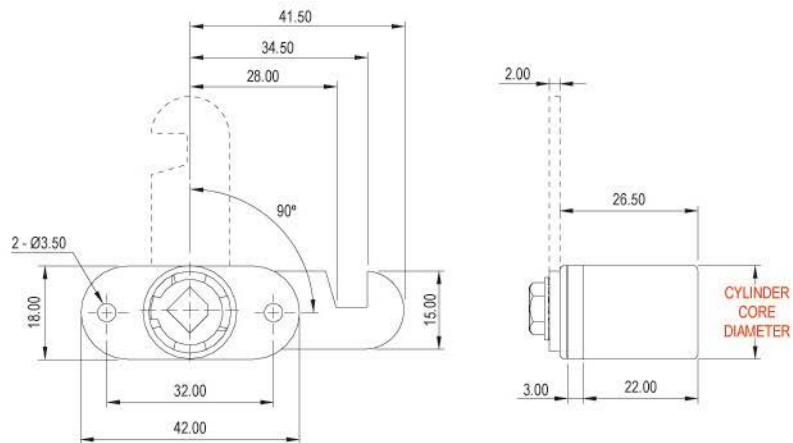
A set includes

- 1 LOCK HOUSING
- 1 CYLINDER CORE
- 2 KEYS
- 1 BEZEL

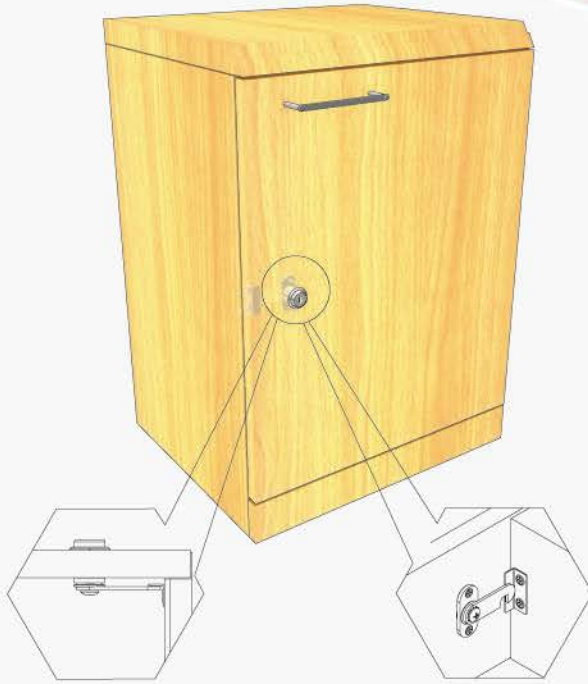
Accessories Options

- L-BRACKET
- STRIKE PLATE

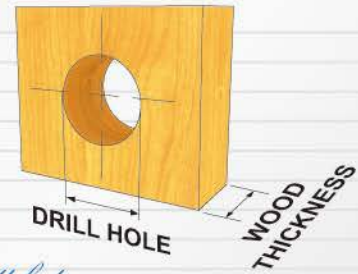
Dimensions



Finished



LEVER LOCK



Drill hole

Ø17.5mm FOR 16.5mm HOUSING DIAMETER

Ø19mm FOR 18mm HOUSING DIAMETER

Wood Thickness

16-20mm - USE 22mm CYLINDER HOUSING LENGTH

Fixing Details

