

Wooden furniture lock



D-622



GLASS DOOR PLATE

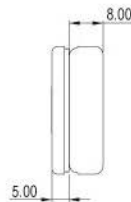
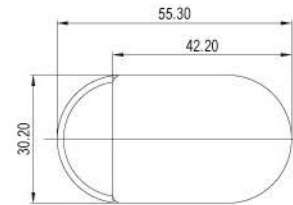
Specifications

- GLASS DOOR PLATE
- TO BE USED WITH A-621 TO SUIT DOUBLE GLASS DOOR LOCK REQUIREMENT
- ZINC ALLOY DIE CAST

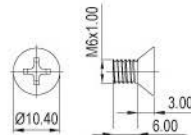
A set includes

- 2 PLATES
- 2 SCREWS
- 2 BODY SUPPORTS

Dimensions

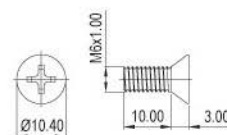


I-064



4-7mm GLASS THICKNESS,
USE I-064 SCREW

I-065



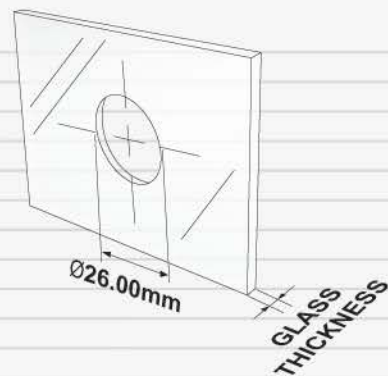
8-11mm GLASS THICKNESS,
USE I-065 SCREW

Wooden furniture lock

Finished



GLASS DOOR PLATE



Glass Thickness

4-7mm - USE I-064 SCREW

8-11mm - USE I-065 SCREW

Fixing Details

