



ELECTRICAL PANEL LOCKS



The Lock from Lock Experts

097



CAM LOCK

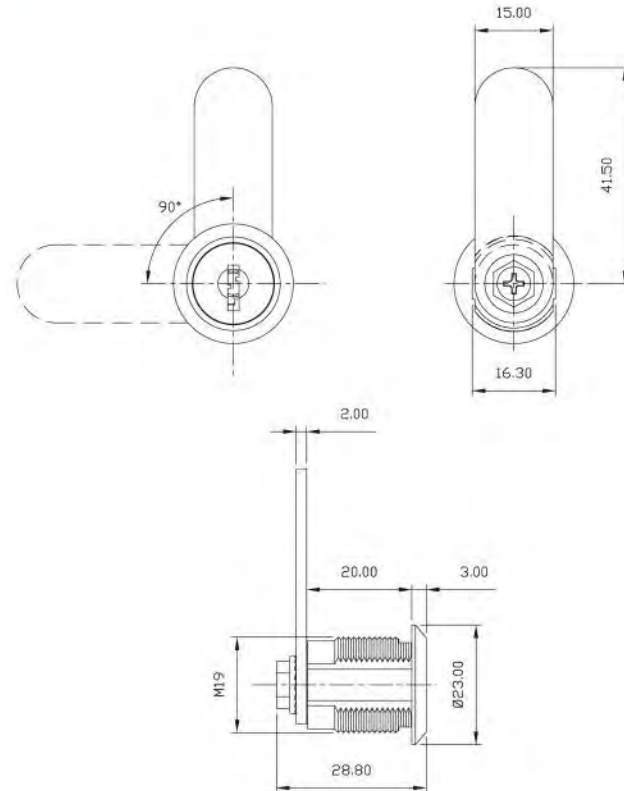
SPECIFICATIONS

- CAM LOCK 097 WITH CAM TYPE C02
- ZINC ALLOY DIE CAST
- NON-MASTER KEY SYTERM
- NON-REMOVABLE CORE SYSTEM

SET INCLUDES

- 1 LOCK HOUSING
- 1 CYLINDER CORE
- 2 KEYS
- 1 TYPE C02 CAM
- 1 HEXAGONAL NUT
- 1 SCREW

DIMENSIONS



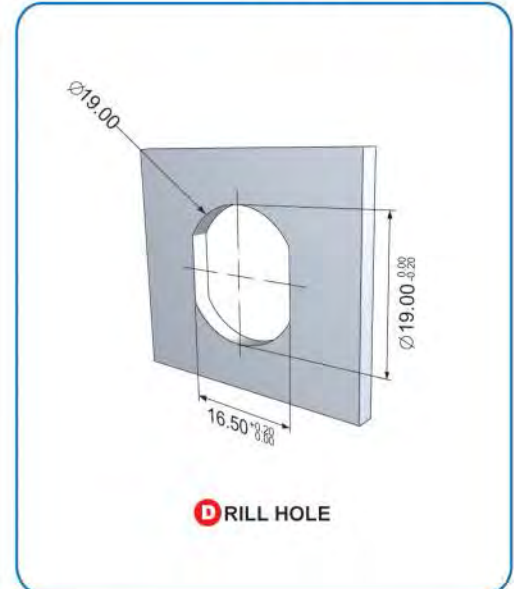


The Lock from Lock Experts

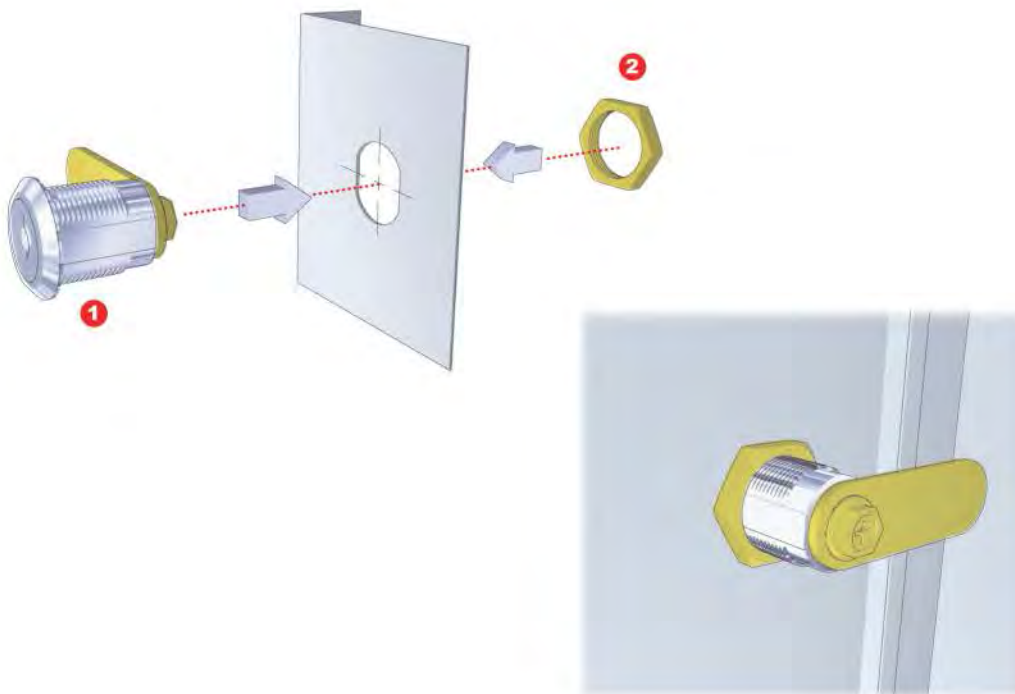
ELECTRICAL PANEL LOCKS



CAM LOCK



FIXING DETAILS





ELECTRICAL PANEL LOCKS



The Lock from Lock Experts

169



WING HANDLE

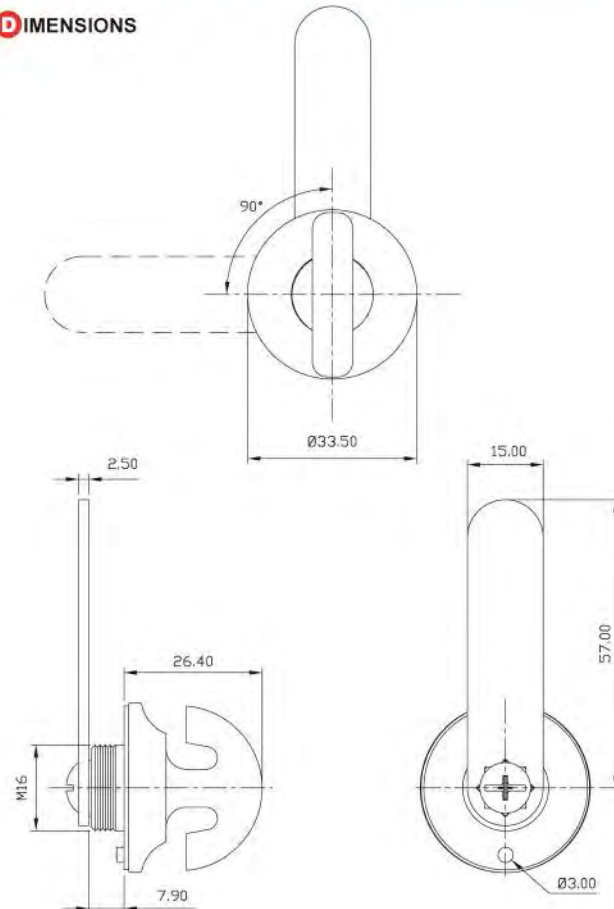
SPECIFICATIONS

- WING HANDLE
- ZINC ALLOY DIE CAST
- NON-LOCKING

SET INCLUDES

- 1 WING HANDLE
- 1 CAM TYPE (G019 OR G020)
- 1 COVER
- 1 SCREW
- 1 HEXAGONAL NUT

DIMENSIONS



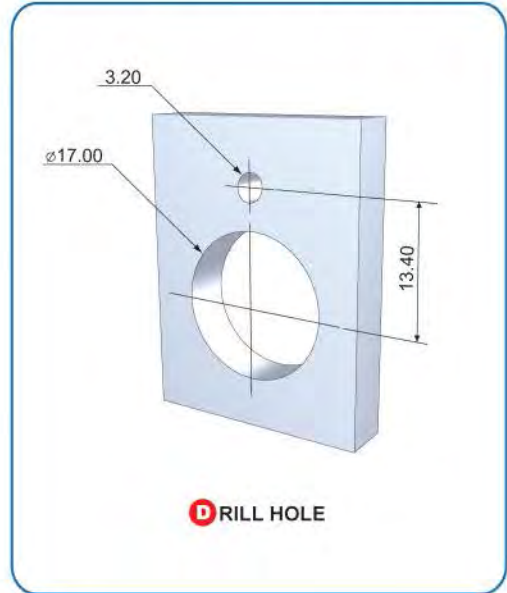


The Lock from Lock Experts

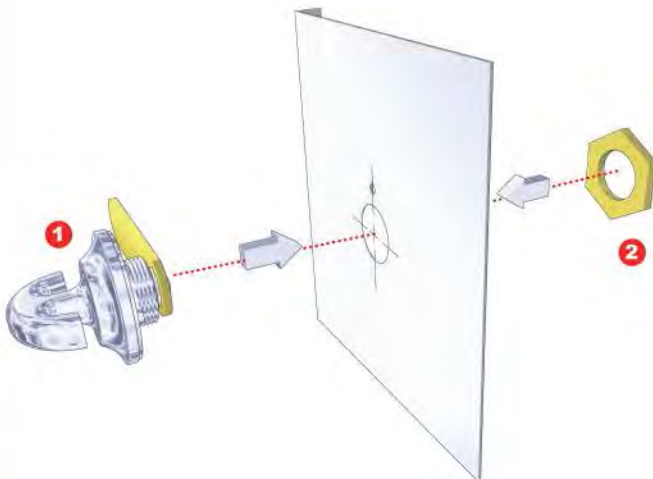
ELECTRICAL PANEL LOCKS



WING HANDLE



FIXING DETAILS





ELECTRICAL PANEL LOCKS



The Lock from Lock Experts

CONTROL BOX HINGE

170-03



170-04



SPECIFICATIONS

- CONTROL BOX HINGE (FOR DOOR THICKNESS OF 2mm OR LESS)
- ZINC ALLOY DIE CAST

SET INCLUDES

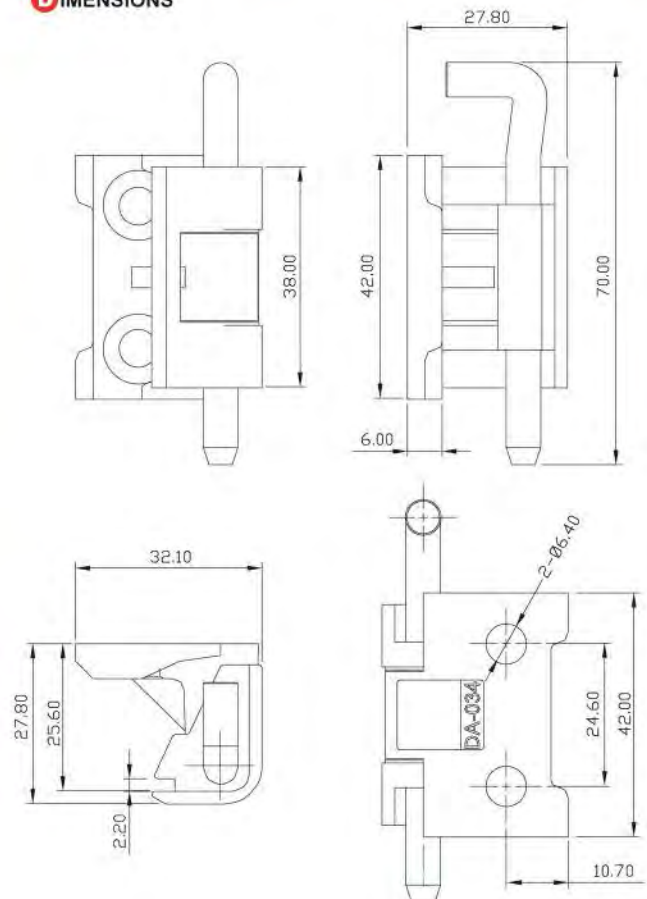
- 1 HINGE
- 1 PIN

ORDERING DETAILS

MODEL	FINISH
170	03 CHROME 04 BLACK

EXAMPLES:
170-03
CONTROL BOX HINGE
(FOR DOOR THICKNESS
OF 2mm OR LESS), CHROME FINISH

DIMENSIONS



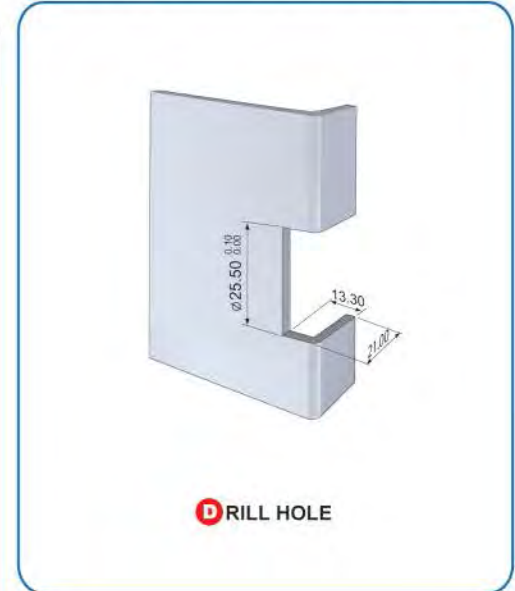
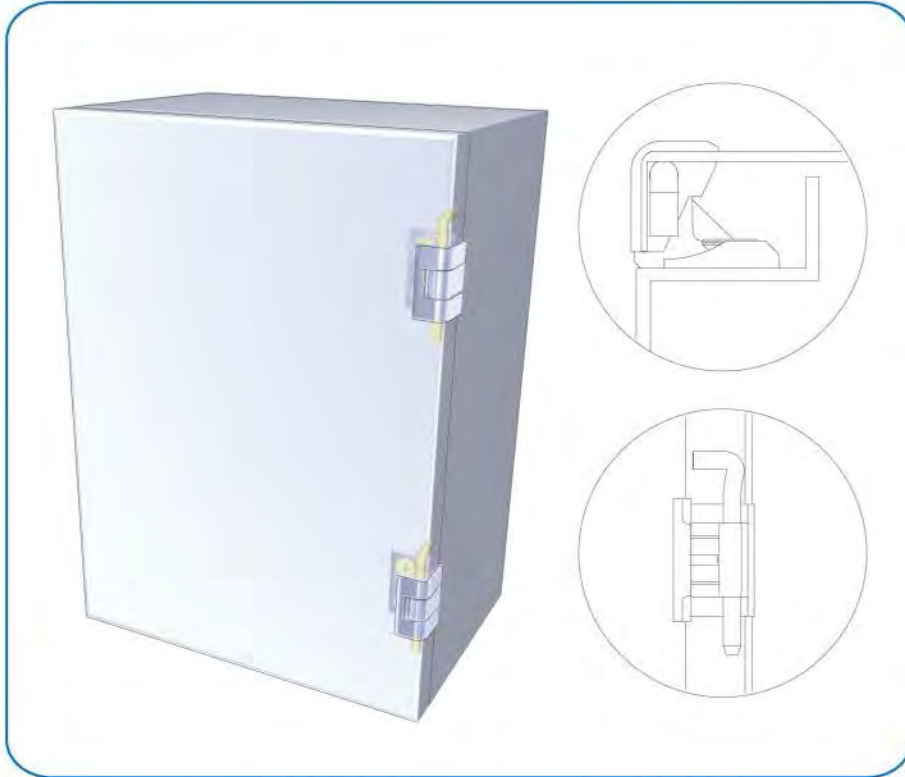


The Lock from Lock Experts

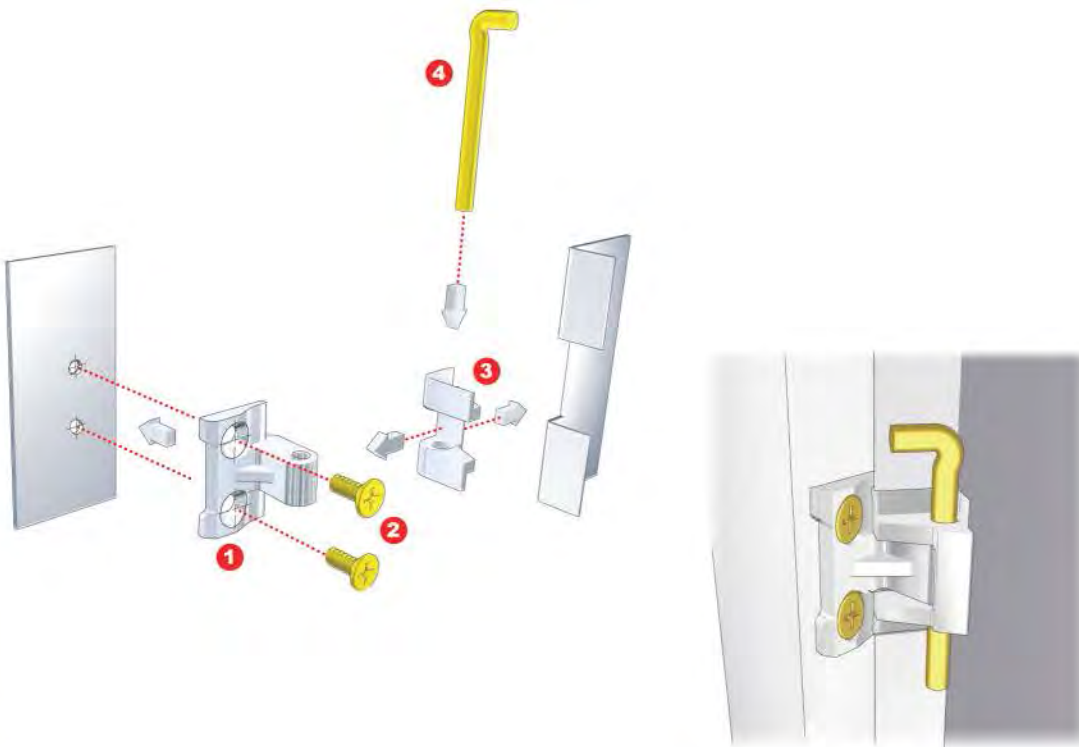
ELECTRICAL PANEL LOCKS



CONTROL BOX HINGE



FIXING DETAILS





ELECTRICAL PANEL LOCKS



The Lock from Lock Experts

CONTROL BOX HINGE

171-01



171-03



171-04



171-11



171-51



THE COLORS ON CATALOGUE ARE FOR GUIDANCE ONLY, ACTUAL PRODUCT COLORS MAY DIFFER.

SPECIFICATIONS

- CONTROL BOX HINGE (FOR DOOR THICKNESS OF 2mm OR LESS)
- ZINC ALLOY DIE CAST

SET INCLUDES

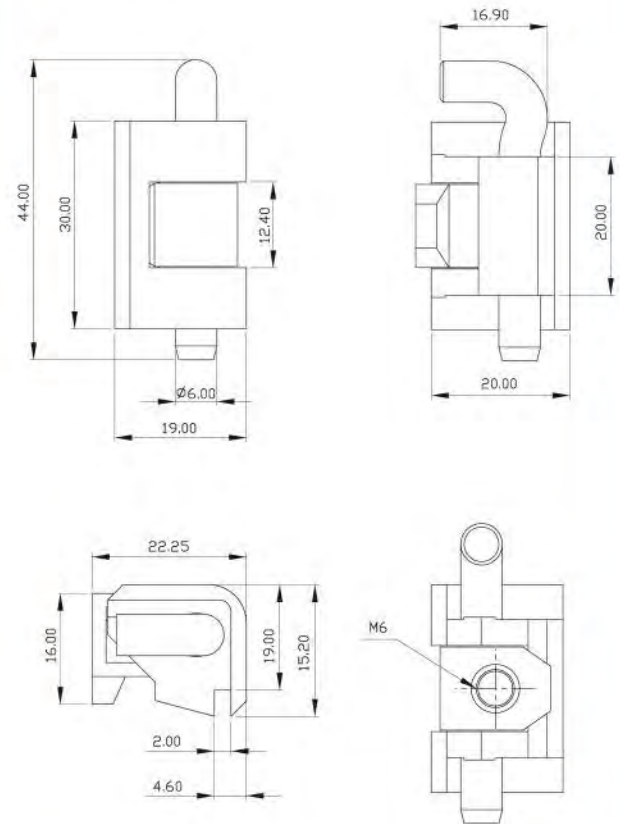
- 1 HINGE
- 1 PIN

ORDERING DETAILS

MODEL	FINISH
171	01 NICKEL 03 CHROME 04 BLACK 11 SILVER METALLIC 51 DULL ALUMINUM

EXAMPLES:
171-03
CONTROL BOX HINGE
(FOR DOOR THICKNESS
OF 2mm OR LESS), CHROME FINISH

DIMENSIONS



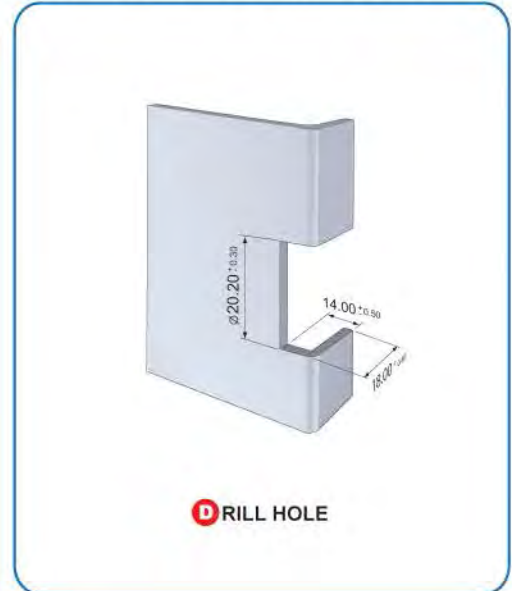
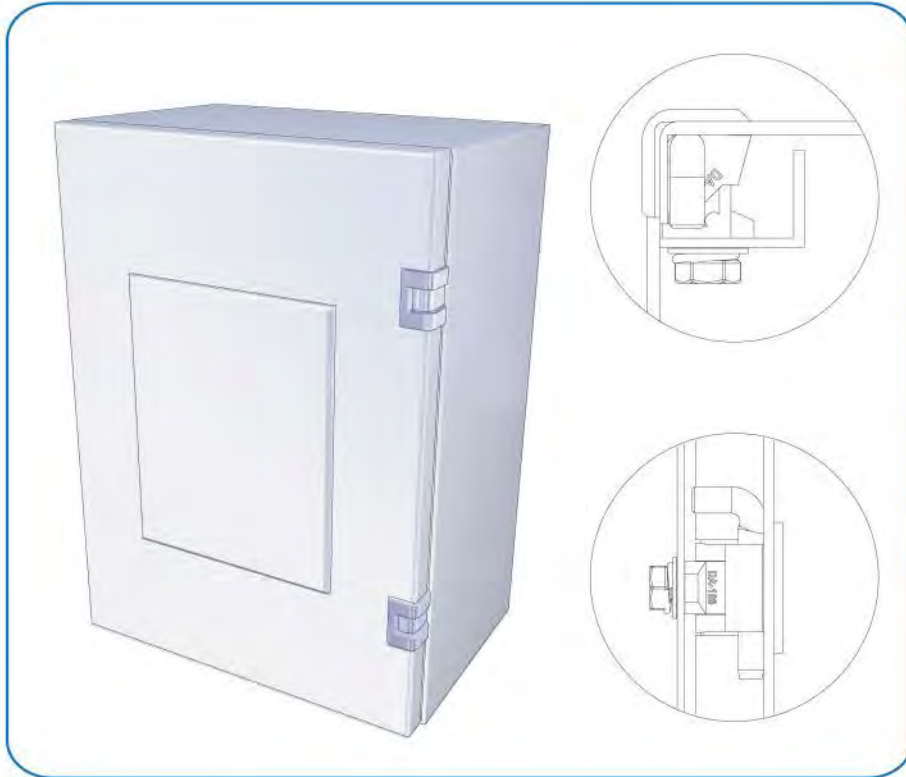


The Lock from Lock Experts

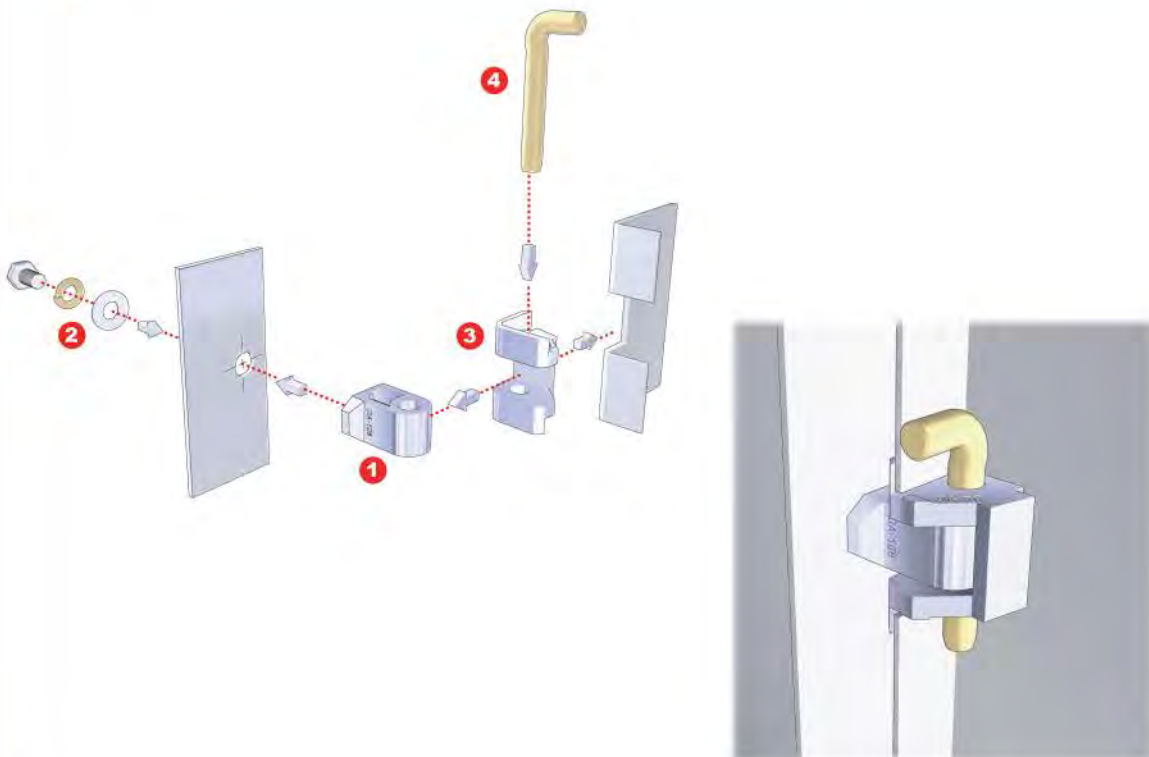
ELECTRICAL PANEL LOCKS



CONTROL BOX HINGE



FIXING DETAILS





ELECTRICAL PANEL LOCKS



The Lock from Lock Experts

C-172



SPECIFICATIONS

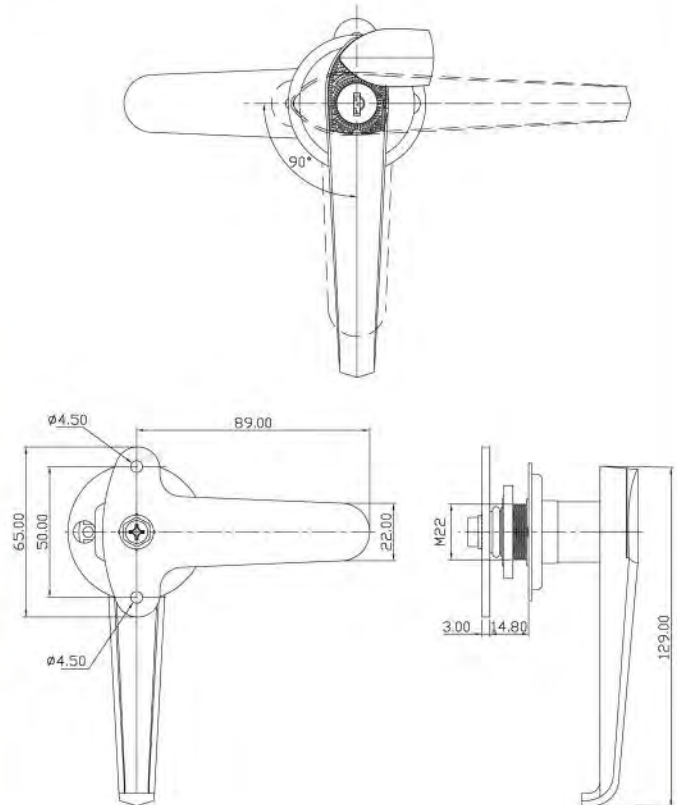
- L-HANDLE WITH WATERPROOF RUBBER PAD
- CHROME FINISH
- ZINC ALLOY DIE CAST
- NON-MASTER KEY SYTEM
- NON-REMOVABLE CORE SYSTEM

SET INCLUDES

- 1 LOCK HOUSING
- 1 CYLINDER CORE
- 2 KEYS
- 2 WATERPROOF RUBBER PADS
- 1 SHUTTER
- 1 TYPE G025 CAM
- 1 HEXAGONAL NUT
- 2 SCREWS

L-HANDLE WITH WATERPROOF RUBBER PAD

DIMENSIONS



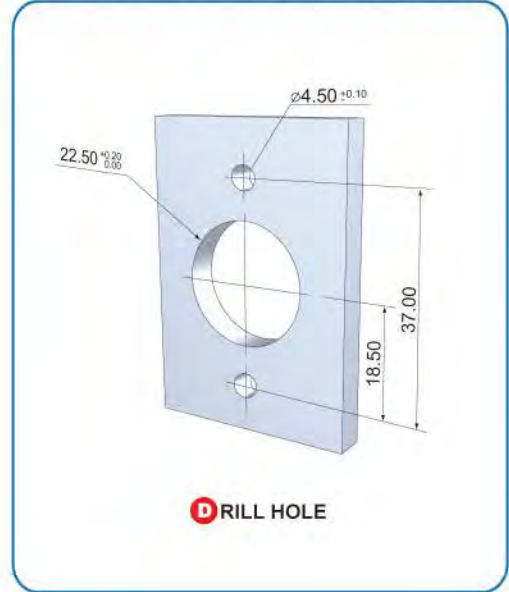


The Lock from Lock Experts

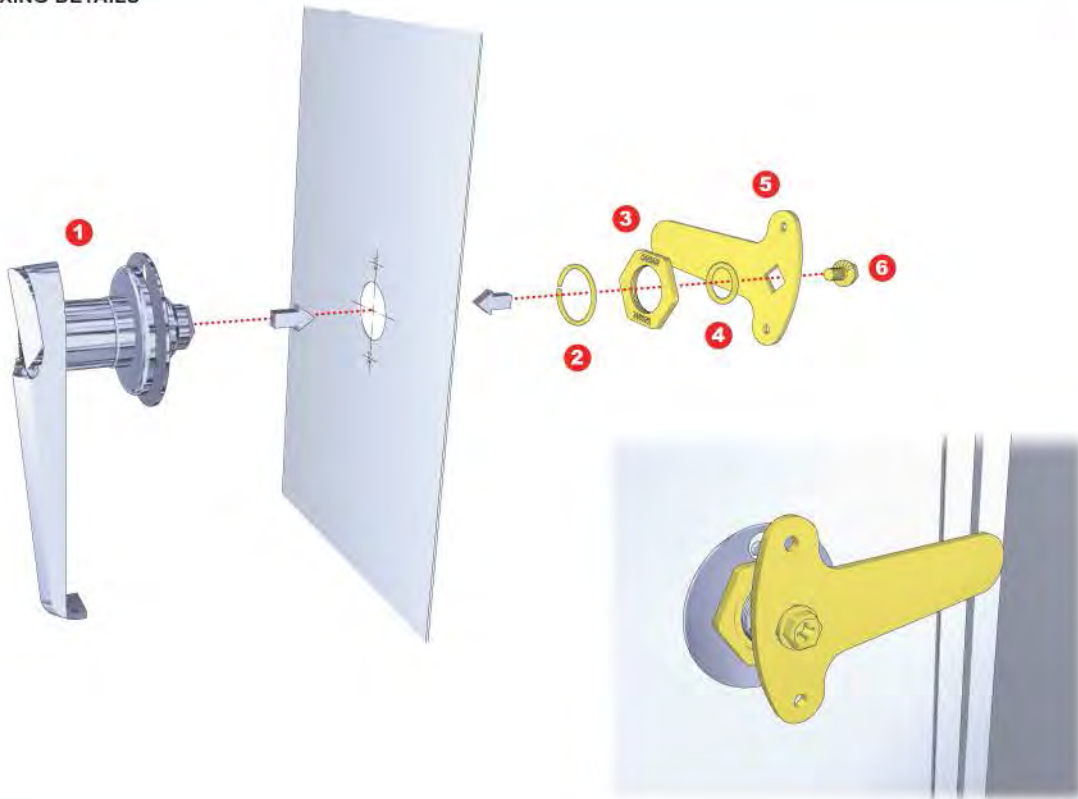
ELECTRICAL PANEL LOCKS



L-HANDLE WITH WATERPROOF RUBBER PAD



FIXING DETAILS





ELECTRICAL PANEL LOCKS



The Lock from Lock Experts

173



SPECIFICATIONS

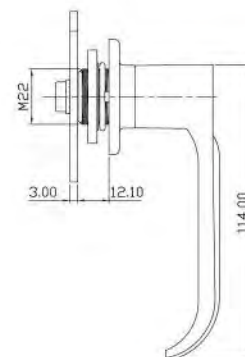
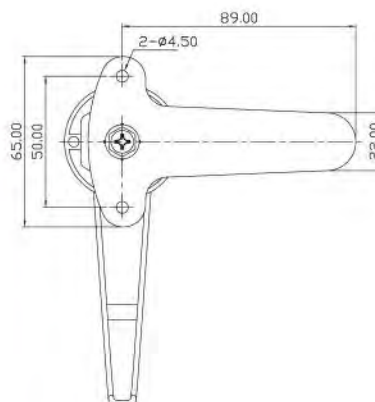
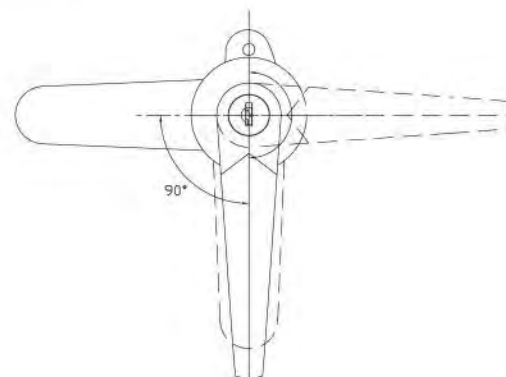
- L-HANDLE WITH CAM TYPE G025
- CHROME FINISH
- ZINC ALLOY DIE CAST
- NON-MASTER KEY SYSTEM
- NON-REMOVABLE CORE SYSTEM

SET INCLUDES

- 1 LOCK HOUSING
- 1 CYLINDER CORE
- 2 KEYS
- 1 TYPE G025 CAM
- 1 HEXAGONAL NUT
- 1 SCREW

L-HANDLE

DIMENSIONS





The Lock from Lock Experts

ELECTRICAL PANEL LOCKS



174-03



174-04



SPECIFICATIONS

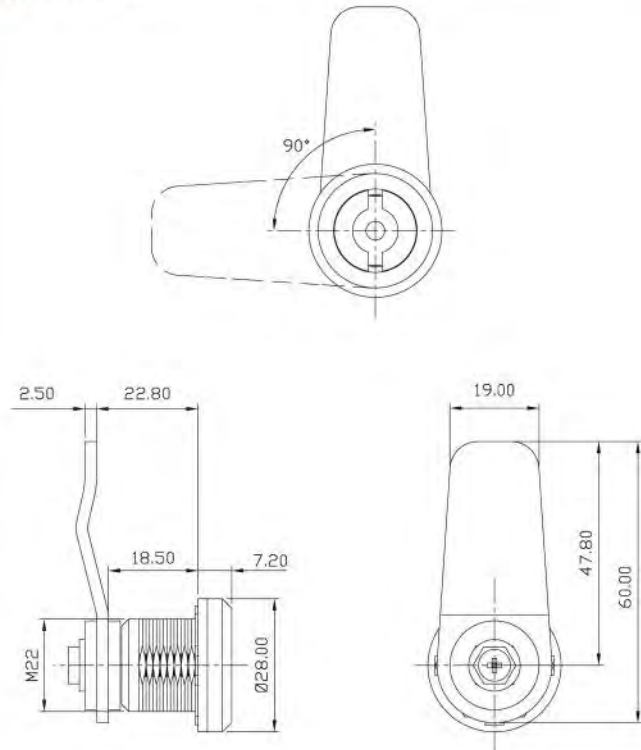
- QUARTER-TURN LATCH
- ZINC ALLOY DIE CAST
- NON-MASTER KEY SYSTEM
- NON-REMOVABLE CORE SYSTEM

SET INCLUDES

- 1 HOUSING
- 1 CYLINDER CORE
- 1 TYPE G016 CAM
- 2 WASHERS
- 1 RUBBER PAD
- 1 RING
- 1 HEXAGONAL NUT
- 1 SCREW

QUARTER-TURN LATCH (WATER RESISTANT)

DIMENSIONS





ELECTRICAL PANEL LOCKS



The Lock from Lock Experts

QUARTER-TURN LATCH (NO WATER PROOF)

176-01



176-03



176-04



176-11



THE COLORS ON CATALOGUE ARE FOR GUIDANCE ONLY, ACTUAL PRODUCT COLORS MAY DIFFER.

SPECIFICATIONS

- QUARTER-TURN LATCH
- ZINC ALLOY DIE CAST
- NON-MASTER KEY SYSTEM
- NON-REMOVABLE CORE SYSTEM

SET INCLUDES

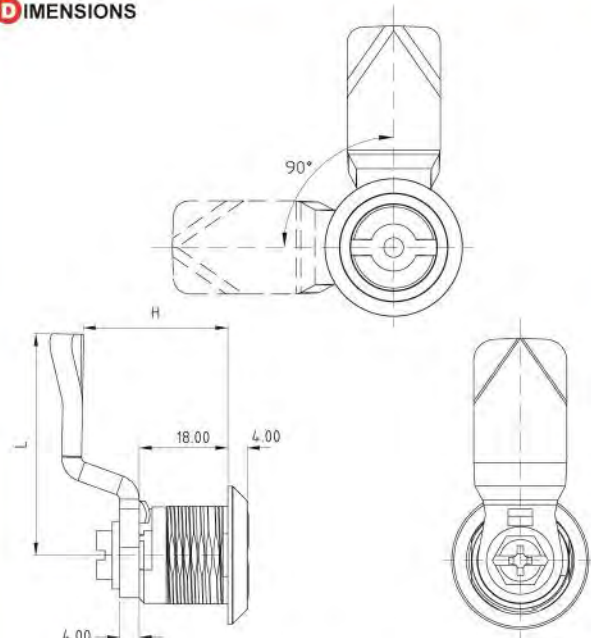
- 1 HOUSING
- 1 CYLINDER CORE
- 1 TYPE G016 CAM
- 2 WASHERS
- 1 RUBBER PAD
- 1 RING
- 1 HEXAGONAL NUT
- 1 SCREW

ORDERING DETAILS

MODEL	FINISH
176	01 NICKEL 03 CHROME 04 BLACK 11 SILVER METALLIC

EXAMPLES:
176-03
QUARTER-TURN LATCH,
CHROME FINISH,
NON-MASTER KEY &
NON-REMOVABLE CORE SYSTEM

DIMENSIONS



ITEM	L	H	PART NO.
1	45	29.4	G247
2	34	28.5	G252
3	39	17.0	G253
4	48	21.6	G254



The Lock from Lock Experts

ELECTRICAL PANEL LOCKS



QUARTER-TURN LATCH (NON- WATER RESISTANT)

177-01



177-03



177-04



177-11



THE COLORS ON CATALOGUE ARE FOR GUIDANCE ONLY, ACTUAL PRODUCT COLORS MAY DIFFER.

SPECIFICATIONS

- QUARTER-TURN LATCH
- ZINC ALLOY DIE CAST
- NON-MASTER KEY SYSTEM
- NON-REMOVABLE CORE SYSTEM

SET INCLUDES

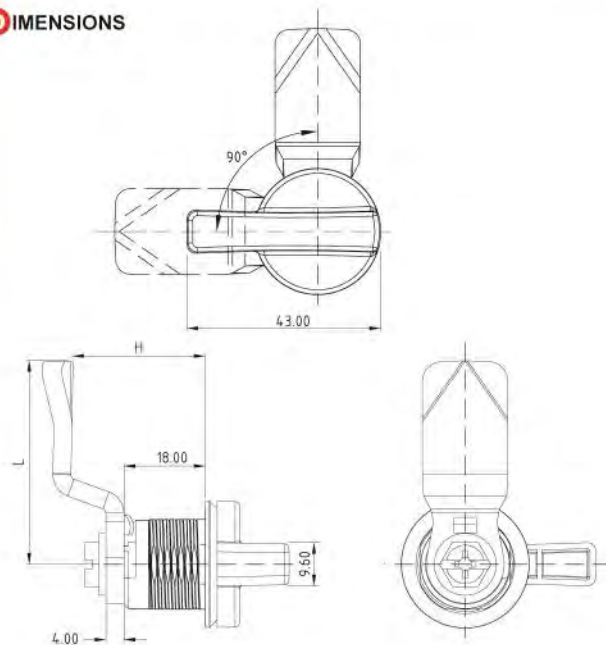
- 1 HOUSING
- 1 CYLINDER CORE
- 1 TYPE G016 CAM
- 2 WASHERS
- 1 RUBBER PAD
- 1 RING
- 1 HEXAGONAL NUT
- 1 SCREW

ORDERING DETAILS

MODEL	FINISH
177	01 NICKEL 03 CHROME 04 BLACK 11 SILVER METALLIC

EXAMPLES:
 177-03
 QUARTER-TURN LATCH,
 CHROME FINISH,
 NON-MASTER KEY &
 NON-REMOVABLE CORE SYSTEM

DIMENSIONS



ITEM	L	H	PART NO.
1	45	29.4	G247
2	34	28.5	G252
3	39	17.0	G253
4	48	21.6	G254



ELECTRICAL PANEL LOCKS



The Lock from Lock Experts

QUARTER-TURN LATCH (WATER RESISTANT)



THE COLORS ON CATALOGUE ARE FOR GUIDANCE ONLY, ACTUAL PRODUCT COLORS MAY DIFFER.

SPECIFICATIONS

- QUARTER-TURN LATCH
- ZINC ALLOY DIE CAST
- NON-MASTER KEY SYSTEM
- NON-REMOVABLE CORE SYSTEM

SET INCLUDES

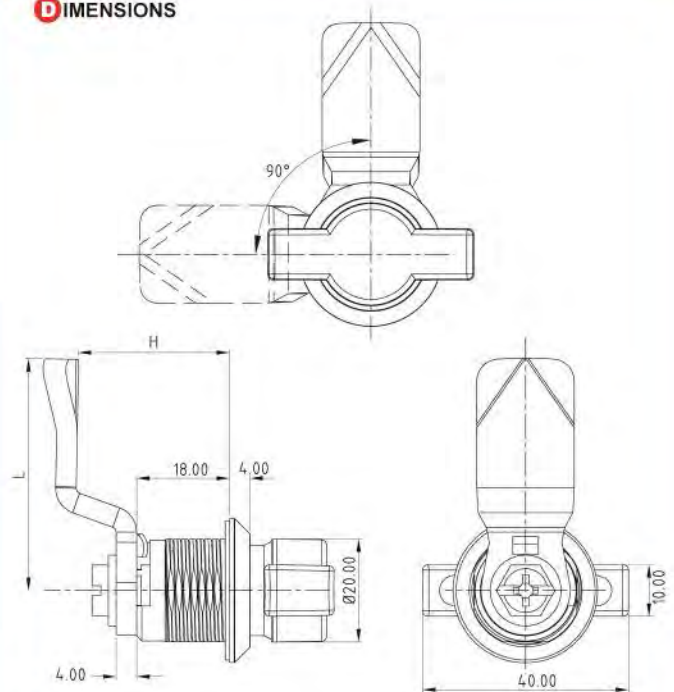
- 1 HOUSING
- 1 CYLINDER CORE
- 1 TYPE G016 CAM
- 2 WASHERS
- 1 RUBBER PAD
- 1 RING
- 1 HEXAGONAL NUT
- 1 SCREW

ORDERING DETAILS

MODEL	FINISH
178	01 NICKEL 03 CHROME 04 BLACK 11 SILVER METALLIC

EXAMPLES:
178-01
QUARTER-TURN LATCH,
NICKEL FINISH,
NON-MASTER KEY &
NON-REMOVABLE CORE SYSTEM

DIMENSIONS



ITEM	L	H	PART NO.
1	45	29.4	G247
2	34	28.5	G252
3	39	17.0	G253
4	48	21.6	G254



The Lock from Lock Experts

ELECTRICAL PANEL LOCKS



QUARTER-TURN LATCH (NON-WATER RESISTANT)

179-01



179-03



179-04



179-11



SPECIFICATIONS

- QUARTER-TURN LATCH
- ZINC ALLOY DIE CAST
- NON-MASTER KEY SYSTEM
- NON-REMOVABLE CORE SYSTEM

SET INCLUDES

- 1 HOUSING
- 1 CYLINDER CORE
- 1 TYPE G016 CAM
- 2 WASHERS
- 1 RUBBER PAD
- 1 RING
- 1 HEXAGONAL NUT
- 1 SCREW

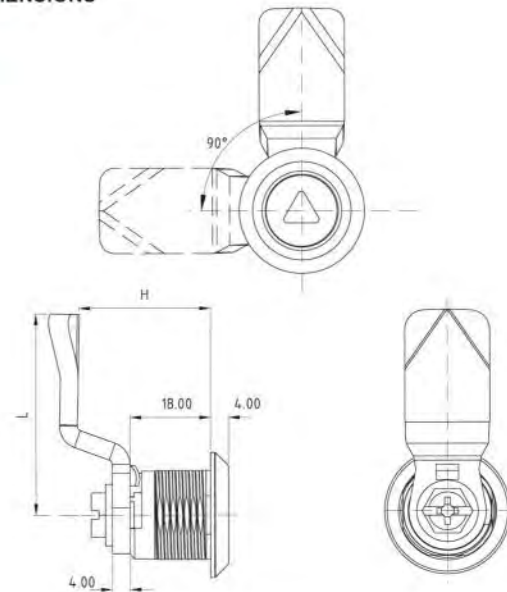
ORDERING DETAILS

MODEL	FINISH
179	01 NICKEL 03 CHROME 04 BLACK 11 SILVER METALLIC

EXAMPLES:
179-03
QUARTER-TURN LATCH,
CHROME FINISH,
NON-MASTER KEY &
NON-REMOVABLE CORE SYSTEM

THE COLORS ON CATALOGUE ARE FOR GUIDANCE ONLY, ACTUAL PRODUCT COLORS MAY DIFFER.

DIMENSIONS



ITEM	L	H	PART NO.
1	45	29.4	G247
2	34	28.5	G252
3	39	17.0	G253
4	48	21.6	G254



ELECTRICAL PANEL LOCKS



The Lock from Lock Experts

QUARTER-TURN LATCH KEY

K014-03

TO BE USED WITH 174,176



K015-03

TO BE USED WITH 174,176



K077-03

TO BE USED WITH 174,176



K078-03

TO BE USED WITH 179



K014-04

TO BE USED WITH 174,176



K015-04

TO BE USED WITH 174,176



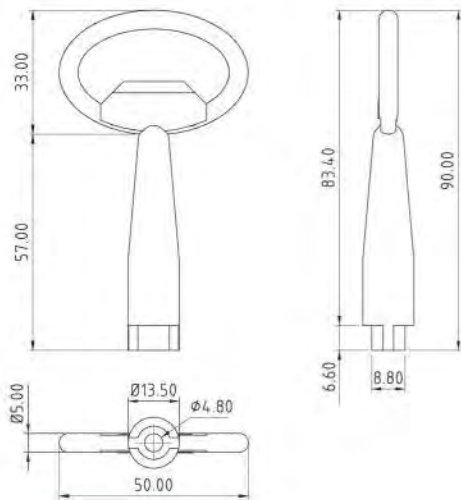
K077-04

TO BE USED WITH 174,176



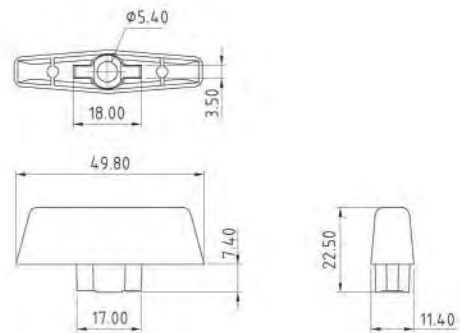
K078-04

TO BE USED WITH 179

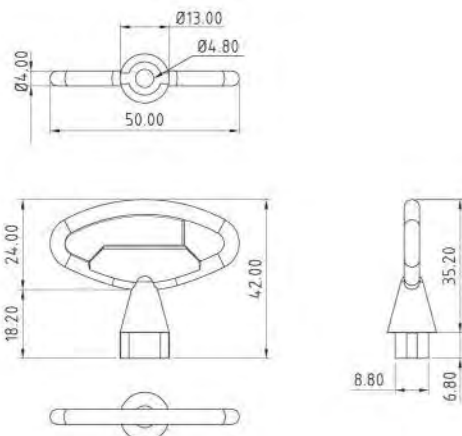


K015

K015

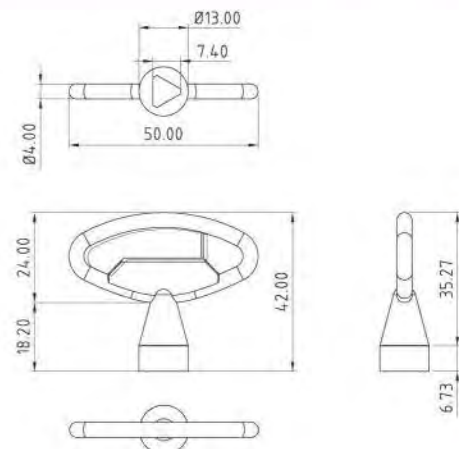


DIMENSIONS



K077

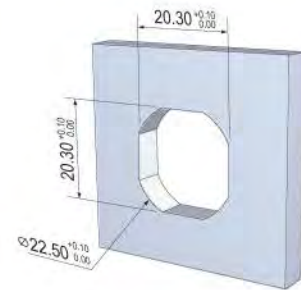
K078





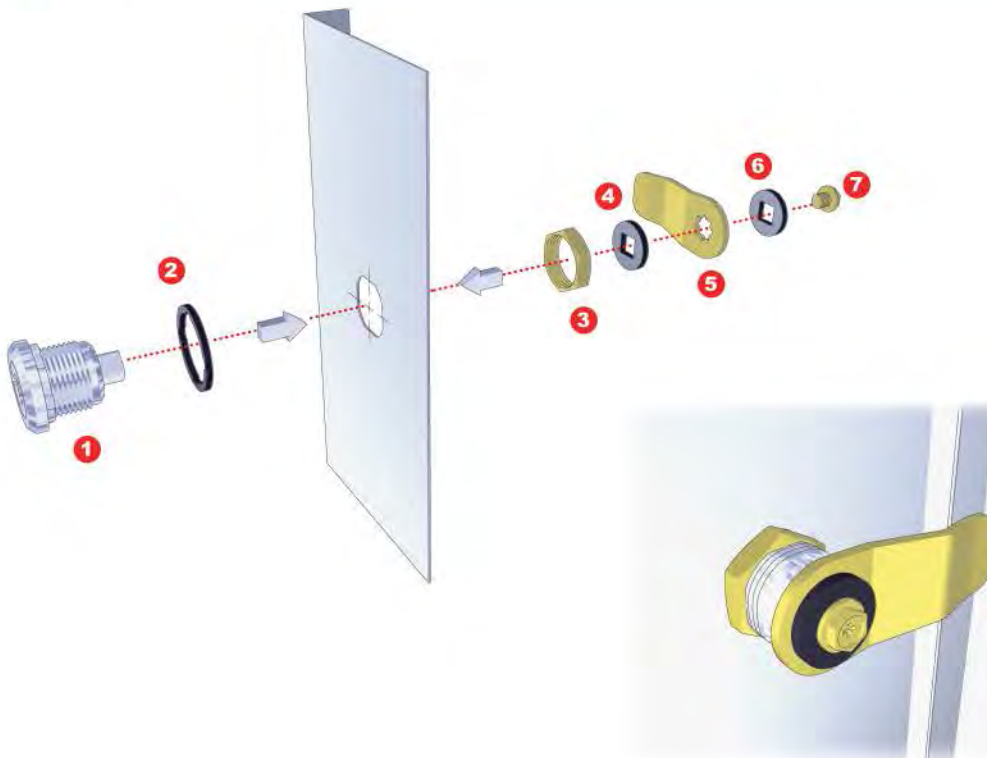
The Lock from Lock Experts

ELECTRICAL PANEL LOCKS



D RILL HOLE

FIXING DETAILS





ELECTRICAL PANEL LOCKS



The Lock from Lock Experts

PUSH LATCH WITH KEY



175

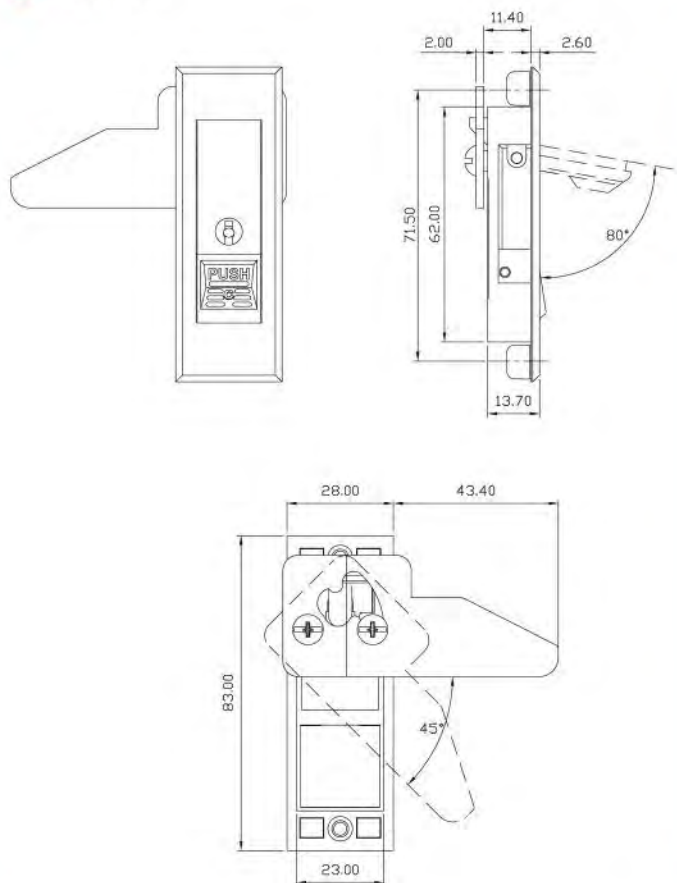
SPECIFICATIONS

- PUSH LATCH WITH KEY
- CHROME FINISH
- ZINC ALLOY DIE CAST
- CAM TYPE G105
- NON-MASTER KEY SYSTEM
- NON-REMOVABLE CORE SYSTEM

SET INCLUDES

- 1 LOCK HOUSING
- 2 KEYS
- 1 TYPE G021 CAM
- 4 SCREWS
- 2 COVERS

DIMENSIONS





The Lock from Lock Experts

ELECTRICAL PANEL LOCKS



PUSH LATCH WITHOUT KEY



A-240-3

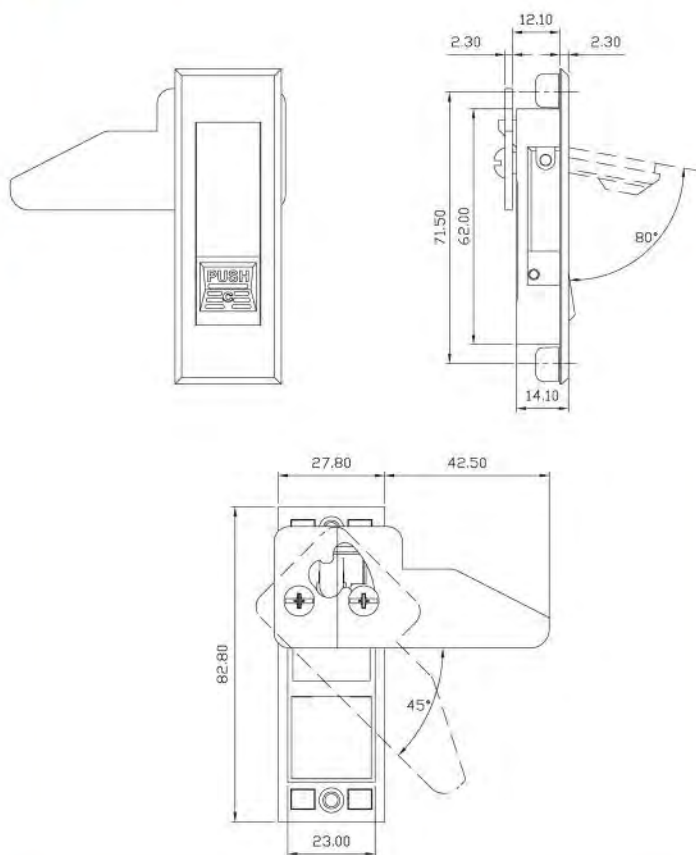
SPECIFICATIONS

- PUSH LATCH WITHOUT KEY
- CHROME FINISH
- ZINC ALLOY DIE CAST
- CAM TYPE G105
- NON-LOCKING

SET INCLUDES

- 1 LOCK HOUSING
- 1 TYPE G105 CAM
- 4 SCREWS

DIMENSIONS





ELECTRICAL PANEL LOCKS



The Lock from Lock Experts

PUSH LATCH WITH KEY



A-240-3-1

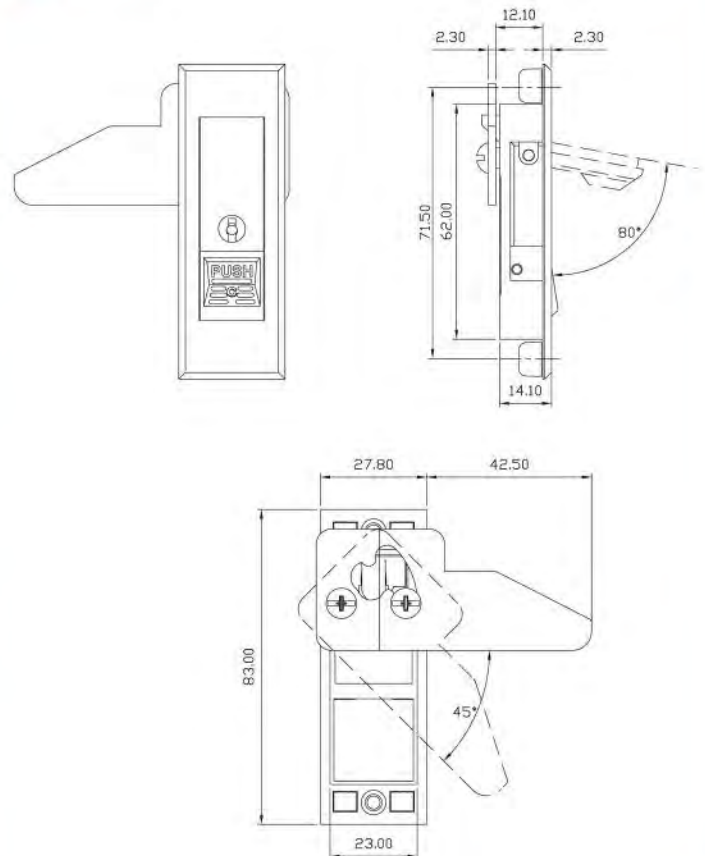
SPECIFICATIONS

- PUSH LATCH WITH KEY
- CHROME FINISH
- ZINC ALLOY DIE CAST
- CAM TYPE G105
- NON-MASTER KEY SYSTEM
- NON-REMOVABLE CORE SYSTEM

SET INCLUDES

- 1 LOCK HOUSING
- 2 KEYS
- 1 TYPE G105 CAM
- 4 SCREWS
- 2 COVERS

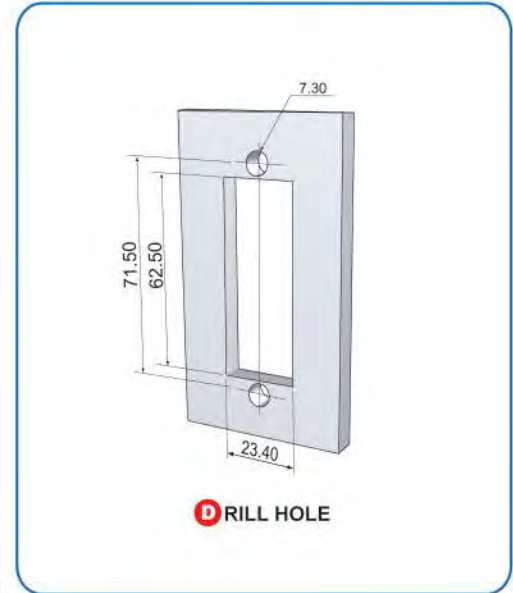
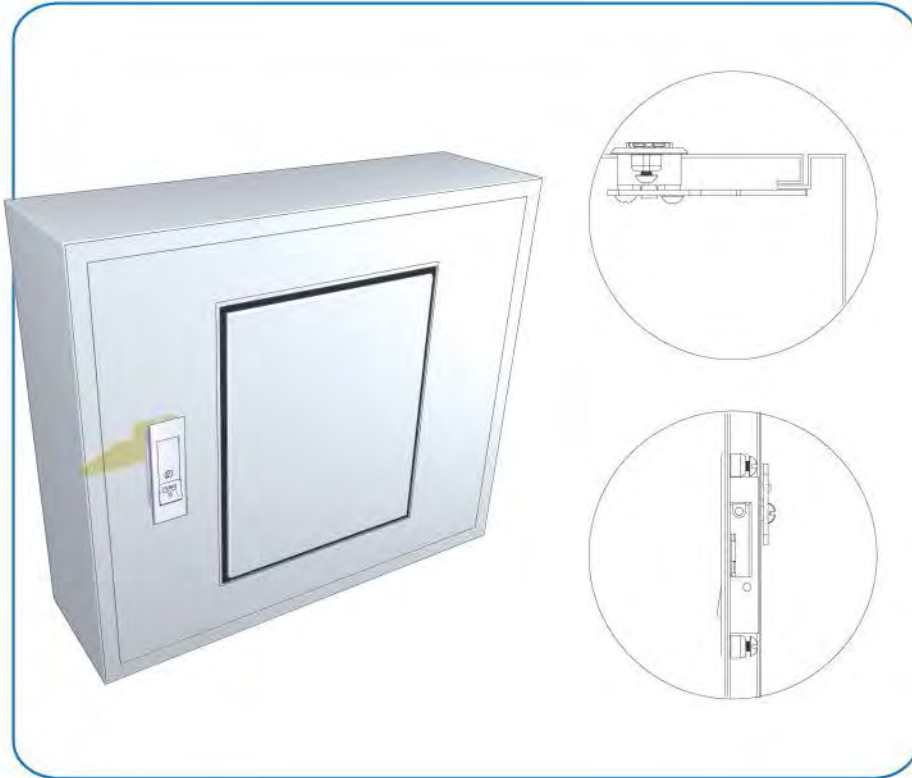
DIMENSIONS



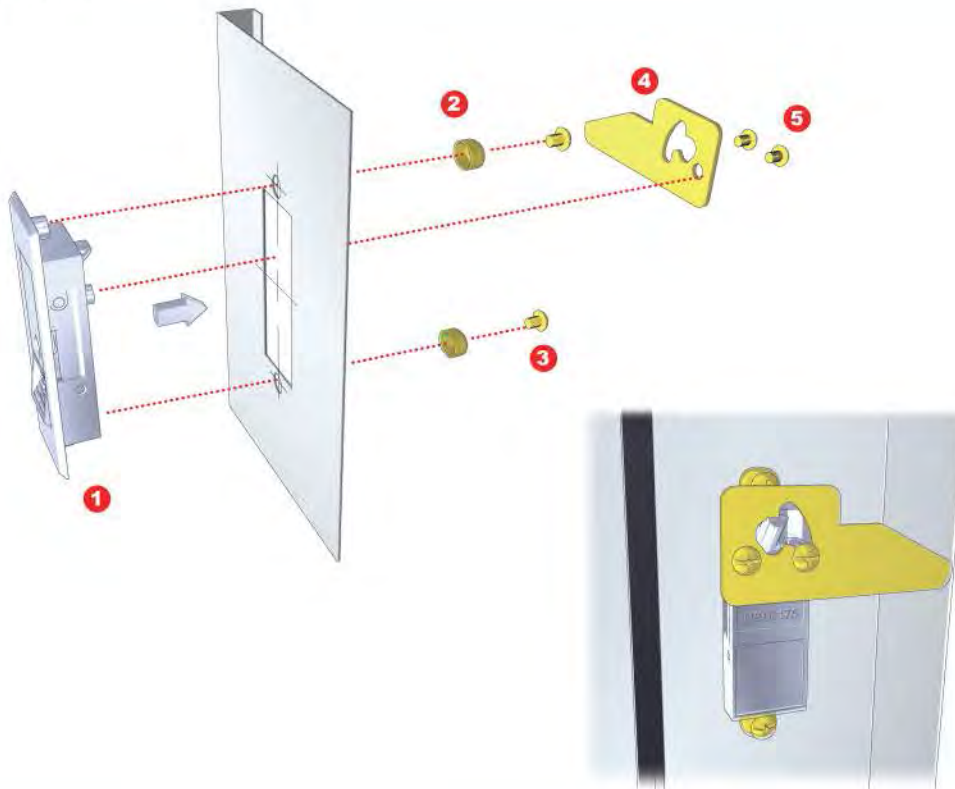


The Lock from Lock Experts

ELECTRICAL PANEL LOCKS



FIXING DETAILS





ELECTRICAL PANEL LOCKS



The Lock from Lock Experts

HANDLE LOCK



A-19

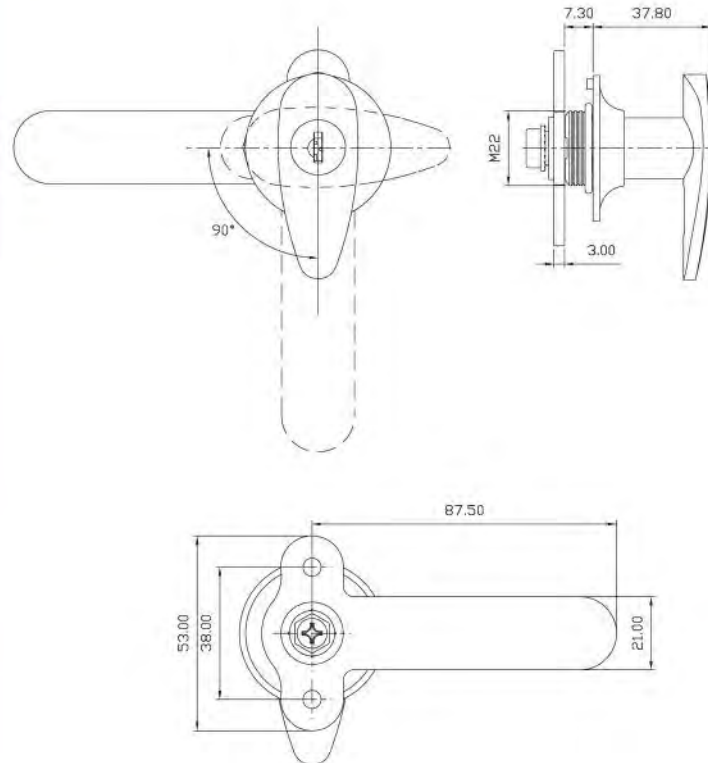
SPECIFICATIONS

- HANDLE LOCK
- CHROME FINISH
- ZINC ALLOY DIE CAST
- CAM TYPE G104
- NON-MASTER KEY SYSTEM
- NON-REMOVABLE CORE SYSTEM

SET INCLUDES

- 1 LOCK HOUSING
- 1 CYLINDER CORE
- 2 KEYS
- 1 TYPE G104 CAM
- 1 SUS 304 GRADE STAINLESS STEEL CLIP
- 1 SPCC GRADE STEEL SHUTTER
- 1 HEXAGONAL NUT
- 1 SCREW

DIMENSIONS





The Lock from Lock Experts

ELECTRICAL PANEL LOCKS



HANDLE



B-19

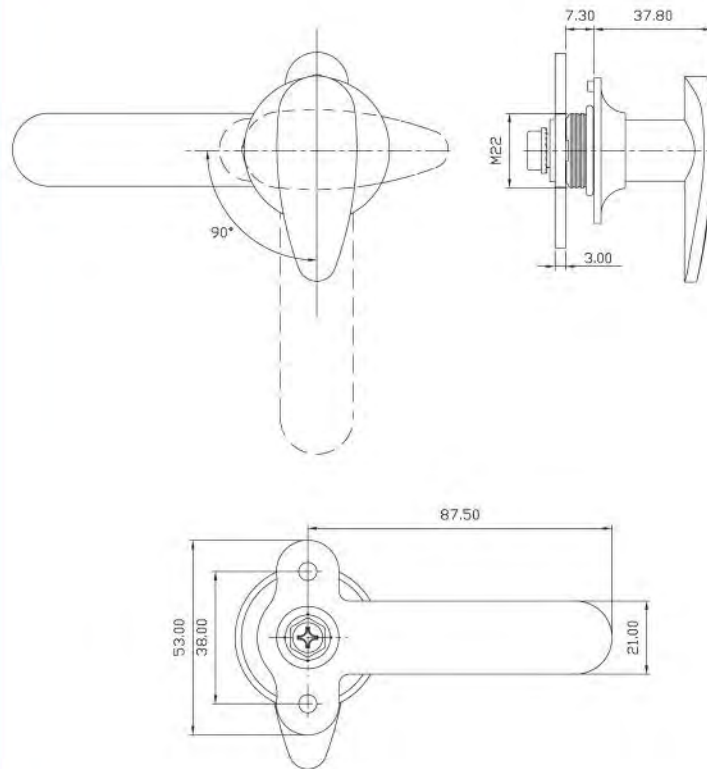
SPECIFICATIONS

- HANDLE
- CHROME FINISH
- WITH CAM TYPE G104
- NON-LOCKING

SET INCLUDES

- 1 HANDLE
- 1 TYPE G104 CAM
- 1 HEXAGONAL NUT
- 1 SCREW

DIMENSIONS

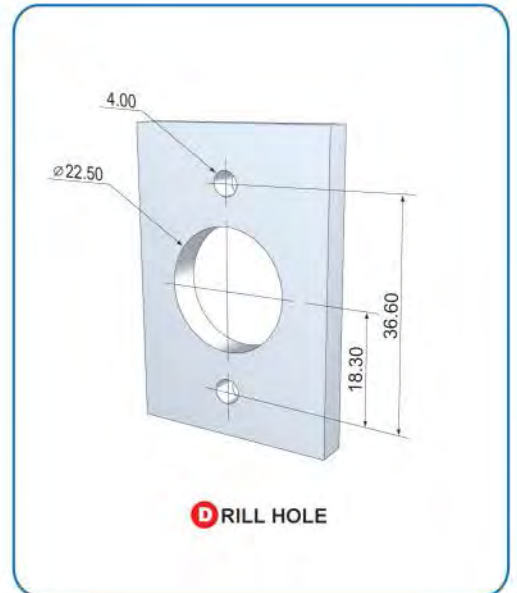
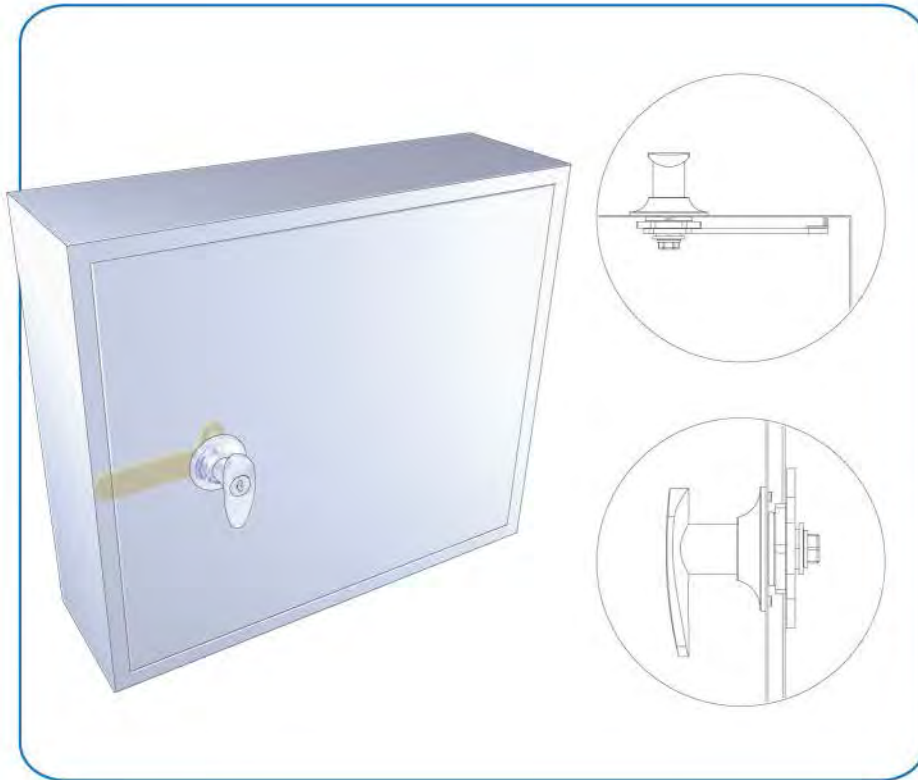




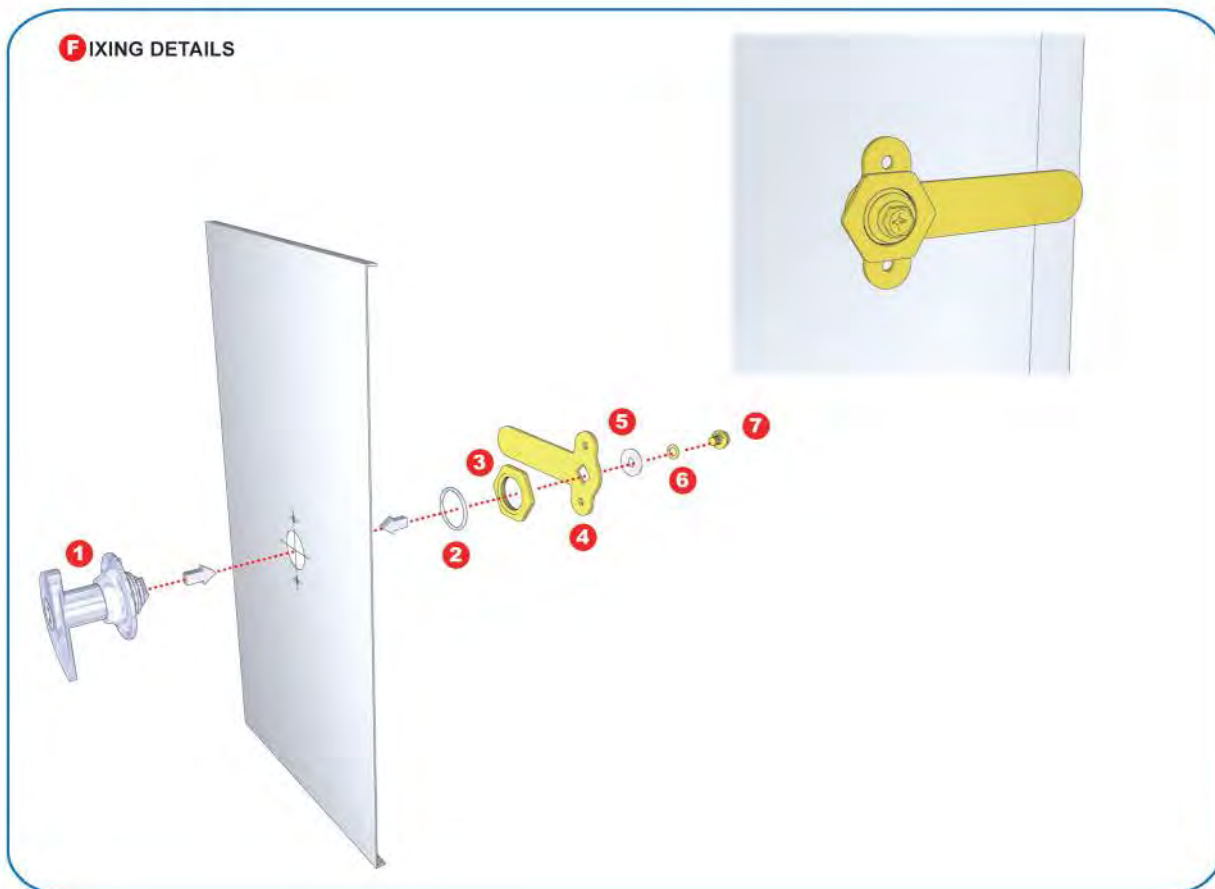
ELECTRICAL PANEL LOCKS



The Lock from Lock Experts



FIXING DETAILS





The Lock from Lock Experts

ELECTRICAL PANEL LOCKS



HANDLE LOCK



A-45

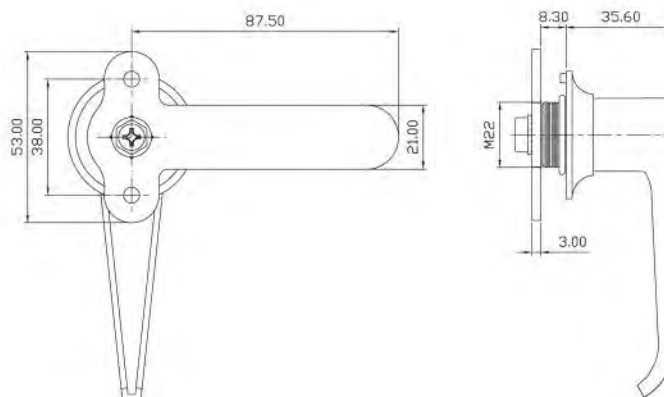
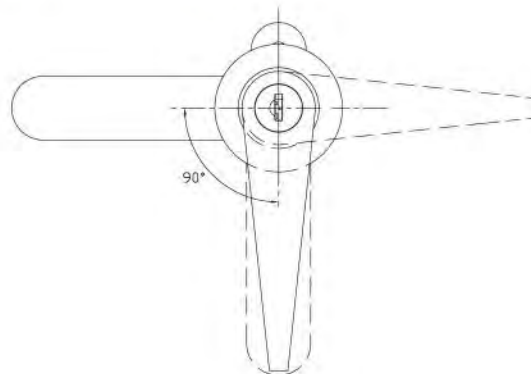
SPECIFICATIONS

- HANDLE LOCK
- CHROME FINISH
- ZINC ALLOY DIE CAST
- CAM TYPE G104
- NON-MASTER KEY SYSTEM
- NON-REMOVABLE CORE SYSTEM

SET INCLUDES

- 1 LOCK HOUSING
- 1 CYLINDER CORE
- 2 KEYS
- 1 TYPE G104 CAM
- 1 SUS 304 GRADE STAINLESS STEEL CLIP
- 1 SPCC GRADE STEEL SHUTTER
- 1 SCREW
- 1 HEXAGONAL NUT

DIMENSIONS





ELECTRICAL PANEL LOCKS



The Lock from Lock Experts

HANDLE



B-45

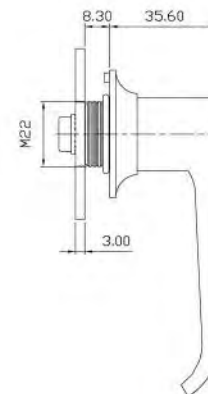
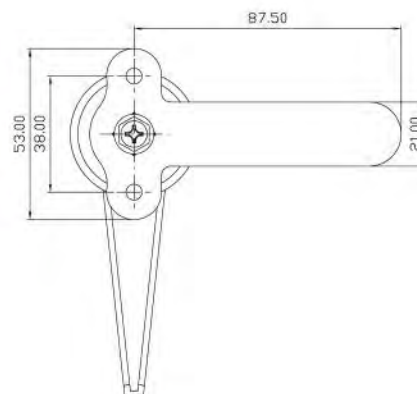
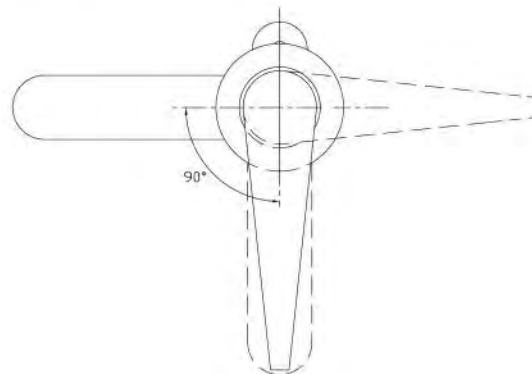
SPECIFICATIONS

- HANDLE
- CHROME FINISH
- ZINC ALLOY DIE CAST
- CAM TYPE G104
- NON-LOCKING

SET INCLUDES

- 1 HANDLE
- 1 TYPE G104 CAM
- 1 SCREW
- 1 HEXAGONAL NUT

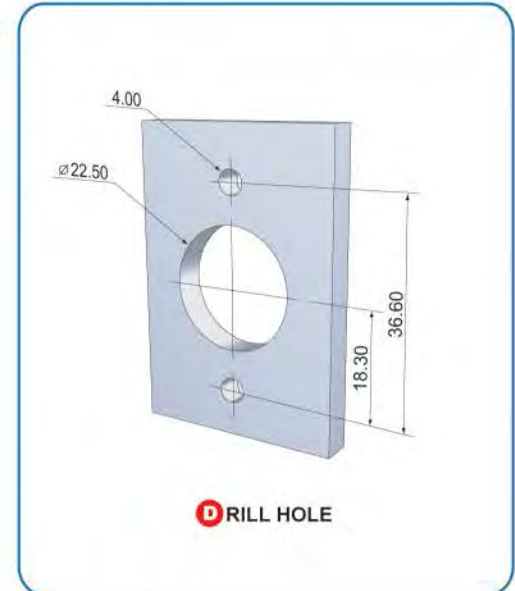
DIMENSIONS





The Lock from Lock Experts

ELECTRICAL PANEL LOCKS



FIXING DETAILS

