



METAL FURNITURE LOCKS



The Lock from Lock Experts

4-IN-1 SYSTEM

2000 KEY CHANGES

MASTER KEY SYSTEM

REMOVABLE CORE SYSTEM

KEY IS OPTIONAL



QUICK-FIX



FILING CABINET

(2 DRAWERS, 3 DRAWERS, 4 DRAWERS, AND MORES)

A-201Q-20-01-DK033-JZ3-R

A-201Q-20-01-DK033-JZ6-R

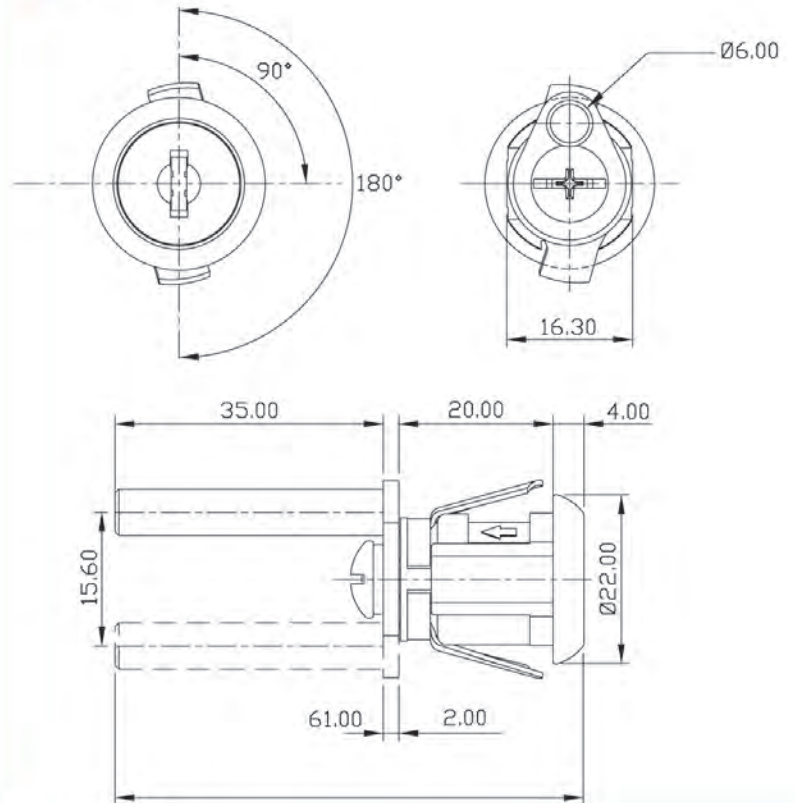
SPECIFICATIONS

- QUICK-FIX LOCK
- 90° OR 180° ROTARY PIN MOVEMENT
- KEY REMOVABLE IN LOCKED & UNLOCKED POSITIONS
- AVAILABLE IN MASTER KEY & NON-MASTER KEY SYSTEMS
- REMOVABLE CORE SYSTEM
- ZINC ALLOY DIE CAST

SET INCLUDES

- 1 LOCK HOUSING
- 1 CYLINDER CORE
- 2 KEYS
- 1 WING CLIP
- 1 SCREW
- 1 WASHER

DIMENSIONS



ORDERING DETAILS

CORE SYSTEM	MASTER KEY SYSTEM	MASTER GROUP	MODEL	CYLINDER HOUSING LENGTH	FINISH	CAM / LEVER NO.	TURNING DIRECTION
*SEE CORE SYSTEM SECTION	A NON-MASTER AM MASTER AK MAIN MASTER AG GRAND MASTER *SEE MASTER KEY SYSTEMS SECTION	1-50	201Q WING CLIP INSTALLATION	20mm	01 NICKEL 03 CHROME	DK033	J CLOCKWISE K COUNTERCLOCKWISE

FROM LOCKED POSITION	TO UNLOCKED POSITION	REMOVAL OF KEY WHEN UNLOCKED	KEY SHAPE	KEYWAY	LOGO
1-Z X 9 8 7 6	Y Z 1 2 3 4 5	R. REMOVABLE	*SEE CORE SYSTEM SECTION	*SEE MASTER KEY SYSTEMS SECTION	CL

EXAMPLES:

CL13-A-201Q-20-03-DK033-JZ6-R-K034-91-CC-CL
QUICK-FIX LOCK FOR FILING CABINET, CL13 CYLINDER CORE MODEL, 20mm CYLINDER HOUSING LENGTH, CHROME FINISH, 180 DEGREE CLOCKWISE SWING ANGLE, FROM Z TO 6 POSITION, NON-MASTER KEY SYSTEM, FOLDING KEYS, CC KEYWAY

CL43-AM1-201Q-20-03-DK033-JZ6-R-K071-91-WA-CL
QUICK-FIX LOCK FOR FILING CABINET, CL43 CYLINDER CORE MODEL, 20mm CYLINDER HOUSING LENGTH, CHROME FINISH, 180 DEGREE CLOCKWISE SWING ANGLE, FROM Z TO 6 POSITION, GROUP 1 MASTER KEY SYSTEM, KEYS WITH CAP, WA KEYWAY



The Lock from Lock Experts

METAL FURNITURE LOCKS

4-IN-1 SYSTEM

2000 KEY CHANGES

MASTER KEY SYSTEM

REMOVABLE CORE SYSTEM

KEY IS OPTIONAL



QUICK-FIX

A-202Q-20-01-DK033-JZ3-R

A-202Q-20-01-DK033-JZ6-R



FILING CABINET

(2 DRAWERS, 3 DRAWERS, 4 DRAWERS, AND MORE)

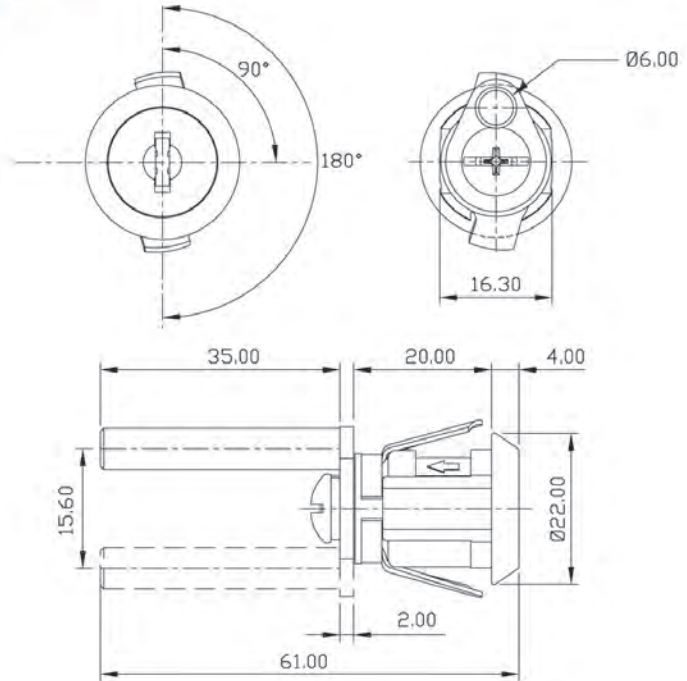
SPECIFICATIONS

- QUICK-FIX LOCK
- 90° OR 180° ROTARY PIN MOVEMENT
- KEY REMOVABLE IN LOCKED & UNLOCKED POSITIONS
- AVAILABLE IN MASTER KEY & NON-MASTER KEY SYSTEMS
- REMOVABLE CORE SYSTEM
- ZINC ALLOY DIE CAST

SET INCLUDES

- 1 LOCK HOUSING
- 1 CYLINDER CORE
- 2 KEYS
- 1 WING CLIP
- 1 SCREW
- 1 WASHER

DIMENSIONS



ORDERING DETAILS

CORE SYSTEM	MASTER KEY SYSTEM	MASTER GROUP	MODEL	CYLINDER HOUSING LENGTH	FINISH	CAM / LEVER NO.	TURNING DIRECTION
*SEE CORE SYSTEM SECTION	A NON-MASTER AM MASTER AK MAIN MASTER AG GRAND MASTER *SEE MASTER KEY SYSTEMS SECTION	1-50	202Q WING CLIP INSTALLATION	20mm	01 NICKEL 03 CHROME	DK033	J CLOCKWISE K COUNTERCLOCKWISE

FROM LOCKED POSITION	TO UNLOCKED POSITION	REMOVAL OF KEY WHEN UNLOCKED	KEY SHAPE	KEYWAY	LOGO
1-Z X Y Z 1 2 3 4 5 6 7 8 9	1-Z	R REMOVABLE	*SEE CORE SYSTEM SECTION	*SEE MASTER KEY SYSTEMS SECTION	CL

EXAMPLES:

CL33-AM1-202Q-20-01-DK033-JZ6-R-K054-91-GA-CL
QUICK-FIX LOCK FOR FILING CABINET, CL33 CYLINDER CORE MODEL, 20mm CYLINDER HOUSING LENGTH, NICKEL FINISH, 180 DEGREE CLOCKWISE SWING ANGLE, FROM Z TO 6 POSITION, GROUP 1 MASTER KEY SYSTEM, KEYS WITH CAP, GA KEYWAY

CL13-A-202Q-20-03-DK033-JZ6-R-K034-91-CC-CL
QUICK-FIX LOCK FOR FILING CABINET, CL13 CYLINDER CORE MODEL, 20mm CYLINDER HOUSING LENGTH, CHROME FINISH, 180 DEGREE CLOCKWISE SWING ANGLE, FROM Z TO 6 POSITION, NON-MASTER KEY SYSTEM, FOLDING KEYS, CC KEYWAY



METAL FURNITURE LOCKS



The Lock from Lock Experts

4-IN-1 SYSTEM

2000 KEY CHANGES

MASTER KEY SYSTEM

REMOVABLE CORE SYSTEM

KEY IS OPTIONAL



QUICK-FIX

A-203Q-20-01-DK033-JZ3-R

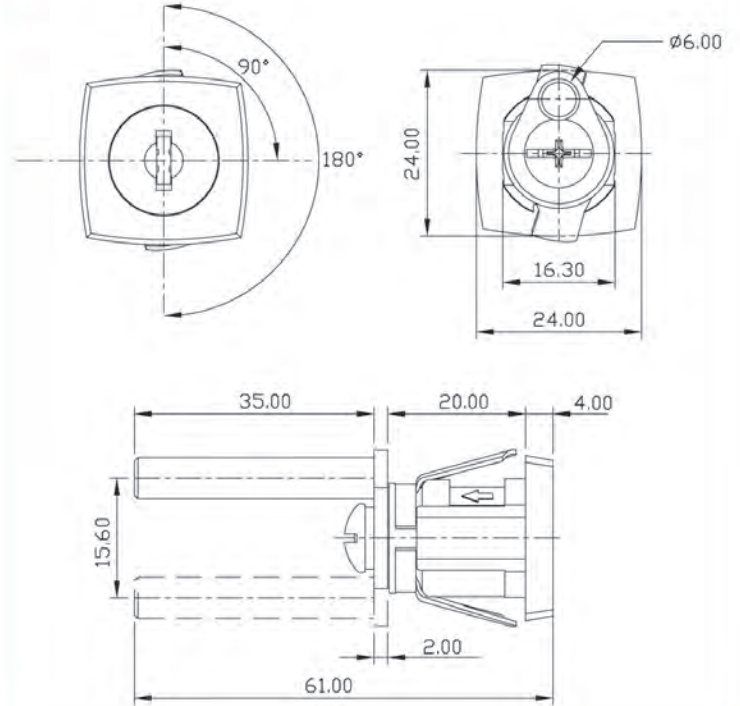
A-203Q-20-01-DK033-JZ6-R



FILING CABINET

(2 DRAWERS, 3 DRAWERS, 4 DRAWERS, AND MORES)

DIMENSIONS



SPECIFICATIONS

- QUICK-FIX LOCK
- 90° OR 180° ROTARY PIN MOVEMENT
- KEY REMOVABLE IN LOCKED & UNLOCKED POSITIONS
- AVAILABLE IN MASTER KEY & NON-MASTER KEY SYSTEMS
- REMOVABLE CORE SYSTEM
- ZINC ALLOY DIE CAST

SET INCLUDES

- 1 LOCK HOUSING
- 1 CYLINDER CORE
- 2 KEYS
- 1 WING CLIP
- 1 SCREW
- 1 WASHER

ORDERING DETAILS

CORE SYSTEM	MASTER KEY SYSTEM	MASTER GROUP	MODEL	CYLINDER HOUSING LENGTH	FINISH	CAM / LEVER NO.	TURNING DIRECTION
*SEE CORE SYSTEM SECTION	A NON-MASTER AM MASTER AK MAIN MASTER AG GRAND MASTER *SEE MASTER KEY SYSTEMS SECTION	1-50	203Q WING CLIP INSTALLATION	20mm	01 NICKEL 03 CHROME	DK033	J CLOCKWISE K COUNTERCLOCKWISE

FROM LOCKED POSITION	TO UNLOCKED POSITION	REMOVAL OF KEY WHEN UNLOCKED	KEY SHAPE	KEYWAY	LOGO
1-Z X 9 8 7 6	Y Z 1 2 3 4 5	R REMOVABLE	*SEE CORE SYSTEM SECTION	*SEE MASTER KEY SYSTEMS SECTION	CL

EXAMPLES:

CL43-AM1-203Q-20-03-DK033-JZ6-R-K072-91-WA-CL
QUICK-FIX LOCK FOR FILING CABINET, CL43 CYLINDER CORE MODEL, 20mm CYLINDER HOUSING LENGTH, CHROME FINISH, 180 DEGREE CLOCKWISE SWING ANGLE, FROM Z TO 6 POSITION, GROUP 1 MASTER KEY SYSTEM, FOLDING KEYS, WA KEYWAY

CL13-A-203Q-20-03-DK033-JZ6-R-K018-91-CC-CL
QUICK-FIX LOCK FOR FILING CABINET, CL13 CYLINDER CORE MODEL, 20mm CYLINDER HOUSING LENGTH, CHROME FINISH, 180 DEGREE CLOCKWISE SWING ANGLE, FROM Z TO 6 POSITION, NON-MASTER KEY SYSTEM, KEYS WITH CAP, CC KEYWAY



The Lock from Lock Experts

METAL FURNITURE LOCKS

4-IN-1 SYSTEM

2000 KEY CHANGES

MASTER KEY SYSTEM

REMOVABLE CORE SYSTEM

KEY IS OPTIONAL



QUICK-FIX

A-204Q-20-01-DK033-JZ3-R

A-204Q-20-01-DK033-JZ6-R



FILING CABINET

(2 DRAWERS, 3 DRAWERS, 4 DRAWERS, AND MORES)

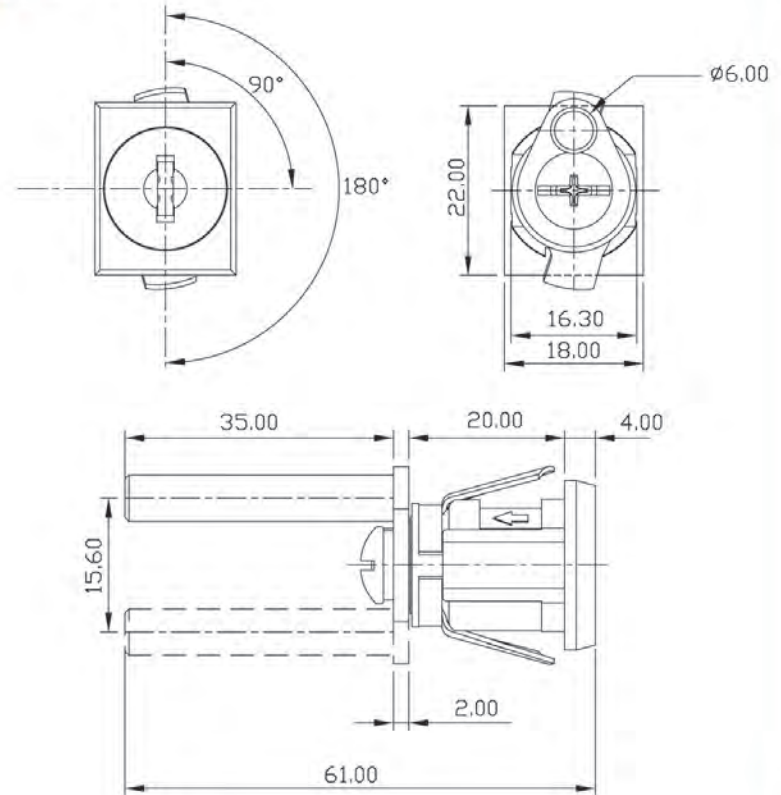
SPECIFICATIONS

- QUICK-FIX LOCK
- 90° OR 180° ROTARY PIN MOVEMENT
- KEY REMOVABLE IN LOCKED & UNLOCKED POSITIONS
- AVAILABLE IN MASTER KEY & NON-MASTER KEY SYSTEMS
- REMOVABLE CORE SYSTEM
- ZINC ALLOY DIE CAST

SET INCLUDES

- 1 LOCK HOUSING
- 1 CYLINDER CORE
- 2 KEYS
- 1 WING CLIP
- 1 SCREW
- 1 WASHER

DIMENSIONS



ORDERING DETAILS

CORE SYSTEM	MASTER KEY SYSTEM	MASTER GROUP	MODEL	CYLINDER HOUSING LENGTH	FINISH	CAM / LEVER NO.	TURNING DIRECTION
*SEE CORE SYSTEM SECTION	A NON-MASTER AM MASTER AK MAIN MASTER AG GRAND MASTER *SEE MASTER KEY SYSTEMS SECTION	1-50	204Q WING CLIP INSTALLATION	20mm	01 NICKEL 03 CHROME	DK033	J CLOCKWISE K COUNTERCLOCKWISE

FROM LOCKED POSITION	TO UNLOCKED POSITION	REMOVAL OF KEY WHEN UNLOCKED	KEY SHAPE	KEYWAY	LOGO
1-Z X 9 8 7 6	Z 1 2 3 4 5	R REMOVABLE	*SEE CORE SYSTEM SECTION	*SEE MASTER KEY SYSTEMS SECTION	CL

EXAMPLES:

CL33-AM1-204Q-20-03-DK033-JZ6-R-K056-91-GA-CL
 QUICK-FIX LOCK FOR FILING CABINET, CL33 CYLINDER CORE MODEL, 20mm CYLINDER HOUSING LENGTH, CHROME FINISH, 180 DEGREE CLOCKWISE SWING ANGLE, FROM Z TO 6 POSITION, GROUP 1 MASTER KEY SYSTEM, FOLDING KEYS, GA KEYWAY

CL43-A-204Q-20-03-DK033-JZ6-R-K071-91-WA-CL
 QUICK-FIX LOCK FOR FILING CABINET, CL43 CYLINDER CORE MODEL, 20mm CYLINDER HOUSING LENGTH, CHROME FINISH, 180 DEGREE CLOCKWISE SWING ANGLE, FROM Z TO 6 POSITION, NON-MASTER KEY SYSTEM, KEYS WITH CAP, WA KEYWAY



METAL FURNITURE LOCKS



The Lock from Lock Experts

4-IN-1 SYSTEM

2000 KEY CHANGES

MASTER KEY SYSTEM

REMOVABLE CORE SYSTEM

KEY IS OPTIONAL



QUICK-FIX



FILING CABINET

(2 DRAWERS, 3 DRAWERS, 4 DRAWERS, AND MORES)

A-205Q-20-01-DK033-JZ3-R

A-205Q-20-01-DK033-JZ6-R

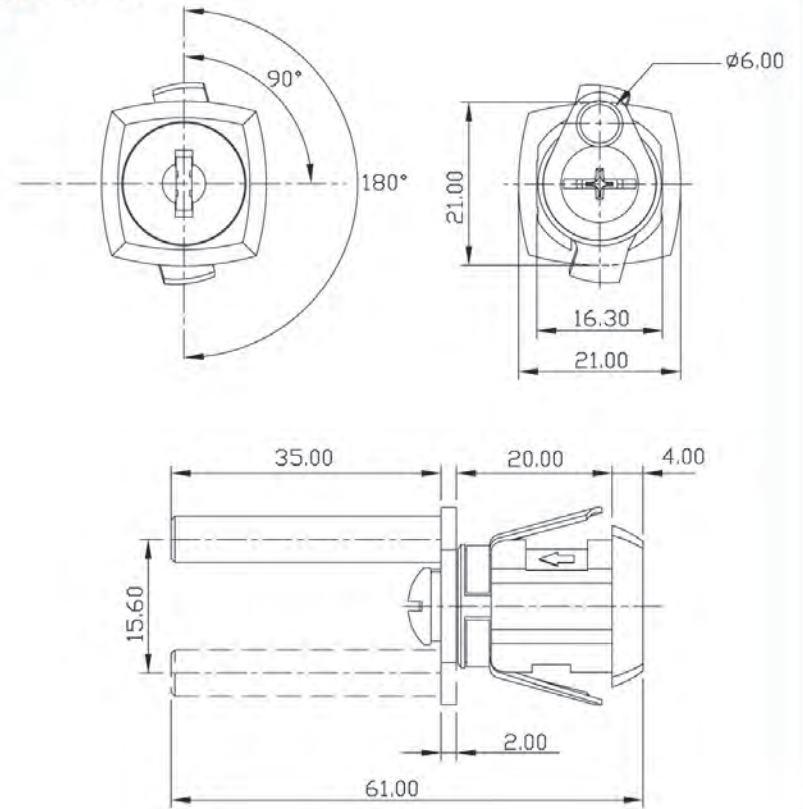
SPECIFICATIONS

- QUICK-FIX LOCK
- 90° OR 180° ROTARY PIN MOVEMENT
- KEY REMOVABLE IN LOCKED & UNLOCKED POSITIONS
- AVAILABLE IN MASTER KEY & NON-MASTER KEY SYSTEMS
- REMOVABLE CORE SYSTEM
- ZINC ALLOY DIE CAST

SET INCLUDES

- 1 LOCK HOUSING
- 1 CYLINDER CORE
- 2 KEYS
- 1 WING CLIP
- 1 SCREW
- 1 WASHER

DIMENSIONS



ORDERING DETAILS

CORE SYSTEM	MASTER KEY SYSTEM	MASTER GROUP	MODEL	CYLINDER HOUSING LENGTH	FINISH	CAM / LEVER NO.	TURNING DIRECTION
*SEE CORE SYSTEM SECTION	A NON-MASTER AM MASTER AK MAIN MASTER AG GRAND MASTER *SEE MASTER KEY SYSTEMS SECTION	1-50	205Q WING CLIP INSTALLATION	20mm	01 NICKEL 03 CHROME	DK033	J CLOCKWISE K COUNTERCLOCKWISE

FROM LOCKED POSITION	TO UNLOCKED POSITION	REMOVAL OF KEY WHEN UNLOCKED	KEY SHAPE	KEYWAY	LOGO
1-Z X 9 8 7 6	Y Z 1 2 3 4 5	R REMOVABLE	*SEE CORE SYSTEM SECTION	*SEE MASTER KEY SYSTEMS SECTION	CL

EXAMPLES:

CL13-AM1-205Q-20-03-DK033-JZ6-R-K018-91-CC-CL
 QUICK-FIX LOCK FOR FILING CABINET, CL13 CYLINDER CORE MODEL, 20mm CYLINDER HOUSING LENGTH, CHROME FINISH, 180 DEGREE CLOCKWISE SWING ANGLE, FROM Z TO 6 POSITION, GROUP 1 MASTER KEY SYSTEM, KEYS WITH CAP, CC KEYWAY

CL43-A-205Q-20-03-DK033-JZ6-R-K072-91-WA-CL
 QUICK-FIX LOCK FOR FILING CABINET, CL43 CYLINDER CORE MODEL, 20mm CYLINDER HOUSING LENGTH, CHROME FINISH, 180 DEGREE CLOCKWISE SWING ANGLE, FROM Z TO 6 POSITION, NON-MASTER KEY SYSTEM, FOLDING KEYS, WA KEYWAY



The Lock from Lock Experts

METAL FURNITURE LOCKS

- 4-IN-1
SYSTEM
- 2000
KEY CHANGES
- MASTER
KEY SYSTEM
- REMOVABLE
CORE SYSTEM
- KEY
IS OPTIONAL



QUICK-FIX

A-206Q-20-01-DK033-JZ3-R

A-206Q-20-01-DK033-JZ6-R



FILING CABINET

(2 DRAWERS, 3 DRAWERS, 4 DRAWERS, AND MORES)

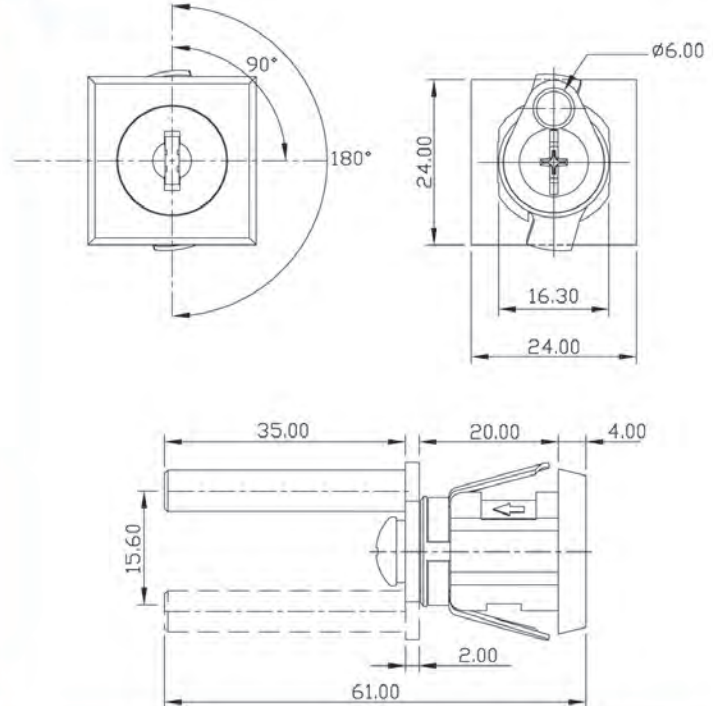
SPECIFICATIONS

- QUICK-FIX LOCK
- 90° OR 180° ROTARY PIN MOVEMENT
- KEY REMOVABLE IN LOCKED & UNLOCKED POSITIONS
- AVAILABLE IN MASTER KEY & NON-MASTER KEY SYSTEMS
- REMOVABLE CORE SYSTEM
- ZINC ALLOY DIE CAST

SET INCLUDES

- 1 LOCK HOUSING
- 1 CYLINDER CORE
- 2 KEYS
- 1 WING CLIP
- 1 SCREW
- 1 WASHER

DIMENSIONS



ORDERING DETAILS

CORE SYSTEM	MASTER KEY SYSTEM	MASTER GROUP	MODEL	CYLINDER HOUSING LENGTH	FINISH	CAM / LEVER NO.	TURNING DIRECTION
*SEE CORE SYSTEM SECTION	A NON-MASTER AM MASTER AK MAIN MASTER AG GRAND MASTER *SEE MASTER KEY SYSTEMS SECTION	1-50	206Q WING CLIP INSTALLATION	20mm	01 NICKEL 03 CHROME	DK033	J CLOCKWISE K COUNTERCLOCKWISE

FROM LOCKED POSITION	TO UNLOCKED POSITION	REMOVAL OF KEY WHEN UNLOCKED	KEY SHAPE	KEYWAY	LOGO
1-Z X 9 8 7 6	Y Z 1 2 3 4 5	R REMOVABLE	*SEE CORE SYSTEM SECTION	*SEE MASTER KEY SYSTEMS SECTION	CL

EXAMPLES:

CL33-AM1-206Q-20-01-DK033-JZ6-R-K056-91-GA-CL
QUICK-FIX LOCK FOR FILING CABINET, CL33 CYLINDER CORE MODEL, 20mm CYLINDER HOUSING LENGTH, NICKEL FINISH, 180 DEGREE CLOCKWISE SWING ANGLE, FROM Z TO 6 POSITION, GROUP 1 MASTER KEY SYSTEM, FOLDING KEYS, GA KEYWAY

CL13-A-206Q-20-03-DK033-JZ6-R-K018-91-CC-CL
QUICK-FIX LOCK FOR FILING CABINET, CL13 CYLINDER CORE MODEL, 20mm CYLINDER HOUSING LENGTH, CHROME FINISH, 180 DEGREE CLOCKWISE SWING ANGLE, FROM Z TO 6 POSITION, NON-MASTER KEY SYSTEM, KEYS WITH CAP, CC KEYWAY



METAL FURNITURE LOCKS



The Lock from Lock Experts

4-IN-1
SYSTEM

2000
KEY CHANGES

MASTER
KEY SYSTEM

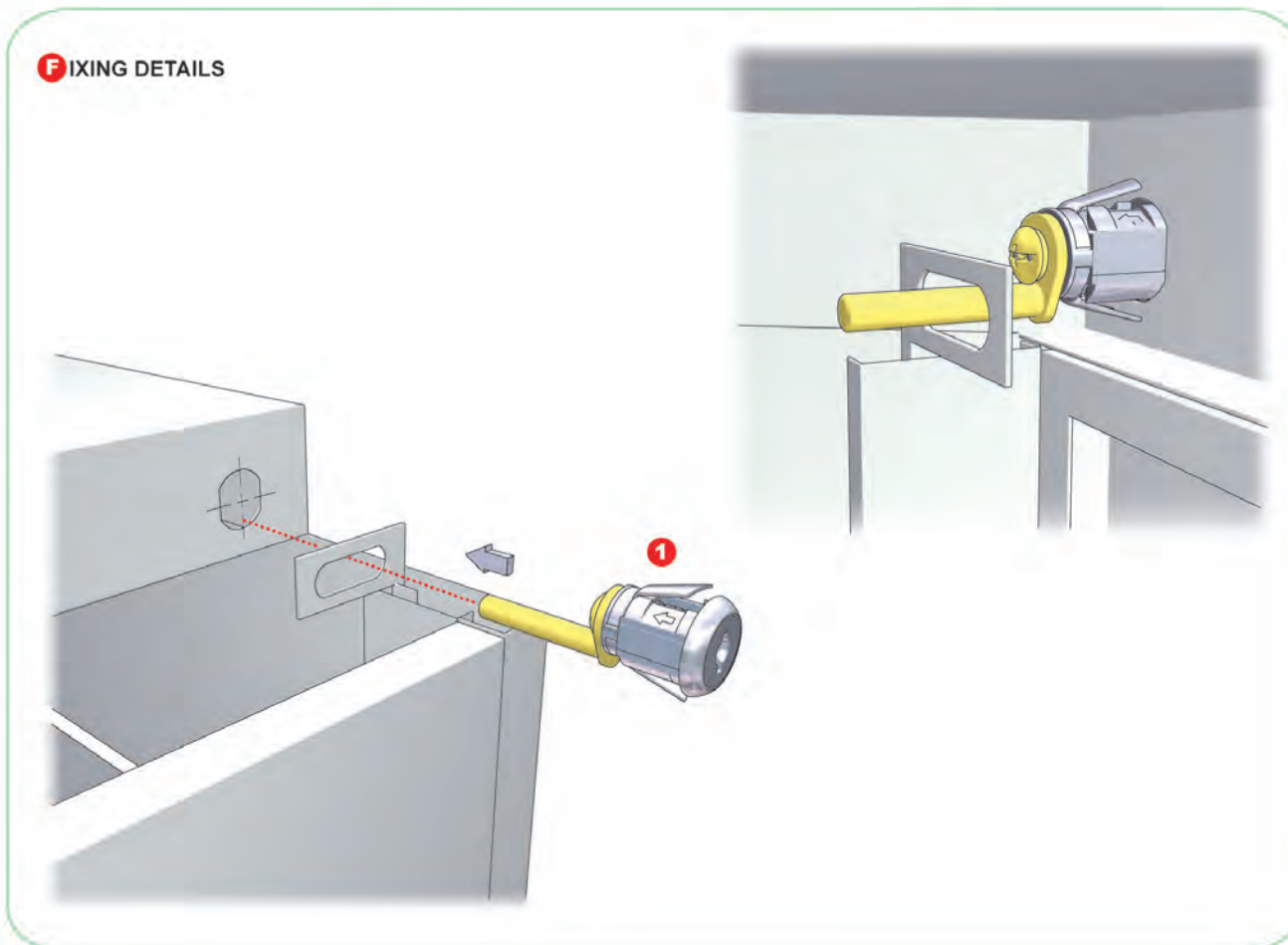
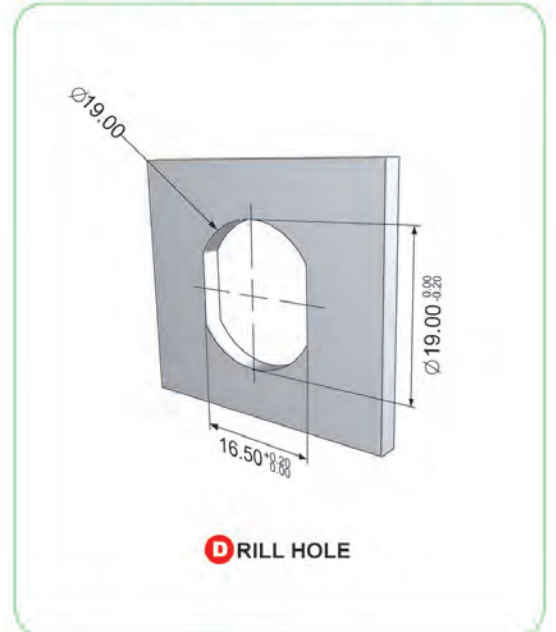
REMOVABLE
CORE SYSTEM

KEY
IS OPTIONAL



FILING CABINET

(2 DRAWERS, 3 DRAWERS, 4 DRAWERS, AND MORE)





The Lock from Lock Experts

METAL FURNITURE LOCKS



A-531U-20-01-DK033-JZ6-R



FILING CABINET

(2 DRAWERS, 3 DRAWERS, 4 DRAWERS, AND MORES)

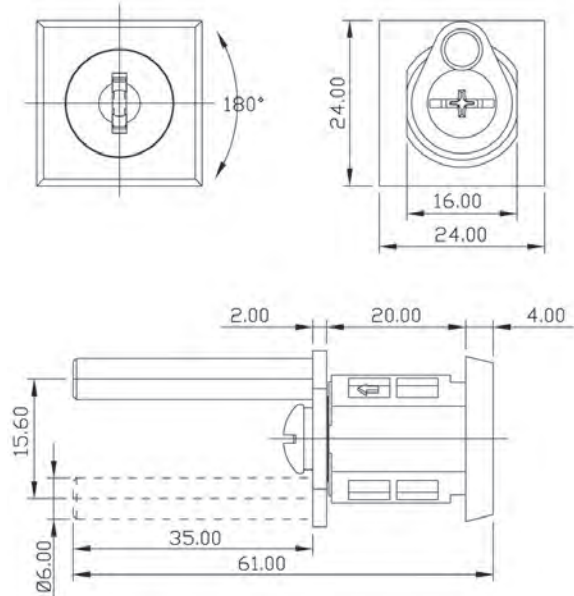
SPECIFICATIONS

- MULTI-DRAWER LOCK
- 80° ROTARY PIN MOVEMENT
- KEY REMOVABLE IN LOCKED & UNLOCKED POSITIONS
- AVAILABLE IN MASTER KEY & NON-MASTER KEY SYSTEMS
- REMOVABLE CORE SYSTEM
- ZINC ALLOY DIE CAST

SET INCLUDES

- 1 LOCK HOUSING
- 1 CYLINDER CORE
- 2 KEYS
- 1 CLIP
- 1 TYPE DK033 LEVER

DIMENSIONS



ORDERING DETAILS

CORE SYSTEM	MASTER KEY SYSTEM	MASTER GROUP	MODEL	CYLINDER HOUSING LENGTH	FINISH	CAM / LEVER NO.	TURNING DIRECTION
*SEE CORE SYSTEM SECTION	A NON-MASTER AM MASTER AK MAIN MASTER AG GRAND MASTER *SEE MASTER KEY SYSTEMS SECTION	1-50	531U U-CLIP INSTALLATION	20mm	01 NICKEL 03 CHROME	DK033	J CLOCKWISE K COUNTERCLOCKWISE

FROM LOCKED POSITION	TO UNLOCKED POSITION	REMOVAL OF KEY WHEN UNLOCKED	KEY SHAPE	KEYWAY	LOGO
1-Z X Y Z 1 2 9 8 7 6 5 3 4	1-Z	R REMOVABLE	*SEE CORE SYSTEM SECTION	*SEE MASTER KEY SYSTEMS SECTION	CL

EXAMPLES:

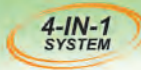
CL13-AM1-531U-20-03-DK033-JZ6-R-K034-91-CC-CL
 MULTI-DRAWER LOCK WITH LOCKING PIN, U-CLIP INSTALLATION, CL13 CYLINDER CORE MODEL, 20mm CYLINDER HOUSING LENGTH, CHROME FINISH, 180 DEGREE CLOCKWISE SWING ANGLE, FROM Z TO 6 POSITION, GROUP 1 MASTER KEY SYSTEM, FOLDING KEYS, CC KEYWAY



METAL FURNITURE LOCKS



The Lock from Lock Experts



FILING CABINET

(2 DRAWERS, 3 DRAWERS, 4 DRAWERS, AND MORES)

A-607(03)X-20-01-DK033-JZ3-R

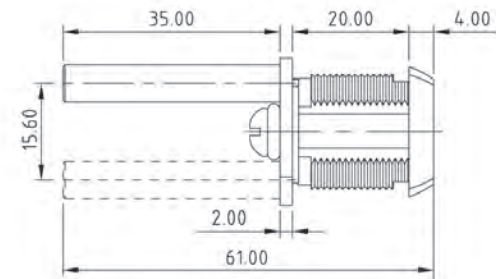
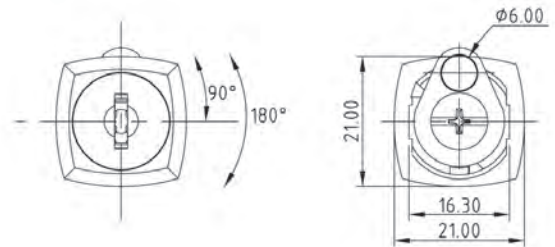
A-607(03)X-20-01-DK033-JZ6-R

A-607(03)U-20-01-DK033-JZ3-R

A-607(03)U-20-01-DK033-JZ6-R



DIMENSIONS



SPECIFICATIONS

- 20mm CAM LOCK WITH DK033 LEVER
- 90° OR 180° ROTARY PIN MOVEMENT
- KEY REMOVABLE IN LOCKED & UNLOCKED POSITIONS
- AVAILABLE IN MASTER KEY & NON-MASTER KEY SYSTEMS
- REMOVABLE CORE SYSTEM
- ZINC ALLOY DIE CAST

SET INCLUDES

- 1 LOCK HOUSING
- 1 CYLINDER CORE
- 2 KEYS
- 1 HEXAGONAL NUT OR 1 CLIP
- 1 SCREW
- 1 WASHER
- 1 TYPE DK033 LEVER

ORDERING DETAILS

CORE SYSTEM	MASTER KEY SYSTEM	MASTER GROUP	MODEL	CYLINDER HOUSING LENGTH	FINISH	CAM / LEVER NO.	TURNING DIRECTION
*SEE CORE SYSTEM SECTION	A NON-MASTER AM MASTER AK MAIN MASTER AG GRAND MASTER *SEE MASTER KEY SYSTEMS SECTION	1-50	607(03)X NUT INSTALLATION 607(03)U U-CLIP INSTALLTION	20mm	01 NICKEL 03 CHROME	DK033	J CLOCKWISE K COUNTERCLOCKWISE

FROM LOCKED POSITION	TO UNLOCKED POSITION	REMOVAL OF KEY WHEN UNLOCKED	KEY SHAPE	KEYWAY	LOGO
1-Z X 9 8 7 6	Y Z 1 2 3 4 5 6	R REMOVABLE	*SEE CORE SYSTEM SECTION	*SEE MASTER KEY SYSTEMS SECTION	CL

EXAMPLES:

CL 13-AM1-607(03)X-20-01-DK033-JZ6-R-K034-91-CC-CL
CAM LOCK WITH DK033 LEVER, NUT INSTALLATION, CL13 CYLINDER CORE MODEL, 20mm CYLINDER HOUSING LENGTH, NICKEL FINISH, 180 DEGREE CLOCKWISE SWING ANGLE, FROM Z TO 6 POSITION, GROUP 1 MASTER KEY SYSTEM, FOLDING KEYS, CC KEYWAY

CL 13-A-607(03)U-20-03-DK033-JZ6-R-K018-91-CC-CL
CAM LOCK WITH DK033 LEVER, U-CLIP INSTALLATION, CL13 CYLINDER CORE MODEL, 20mm CYLINDER HOUSING LENGTH, CHROME FINISH, 180 DEGREE CLOCKWISE SWING ANGLE, FROM Z TO 6 POSITION, NON-MASTER KEY SYSTEM, KEYS WITH CAP, CC KEYWAY



The Lock from Lock Experts

METAL FURNITURE LOCKS

4-IN-1 SYSTEM

2000 KEY CHANGES

MASTER KEY SYSTEM

REMOVABLE CORE SYSTEM

KEY IS OPTIONAL



QUICK-FIX

A-201Q-20-01-DA030



FILING CABINET

(2 DRAWERS, 3 DRAWERS, 4 DRAWERS, AND MORE)

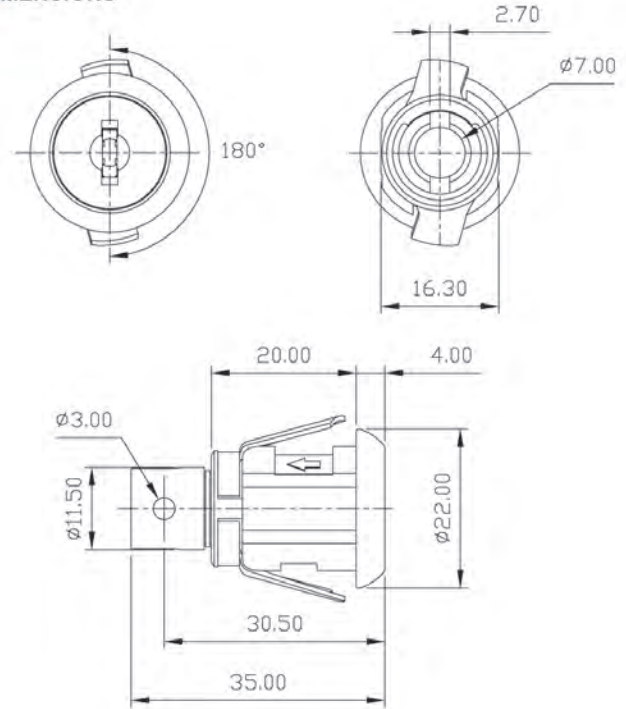
SPECIFICATIONS

- QUICK-FIX LOCK
- 180° ROTARY MOVEMENT
- KEY REMOVABLE IN LOCKED & UNLOCKED POSITIONS
- AVAILABLE IN MASTER KEY & NON-MASTER KEY SYSTEMS
- REMOVABLE CORE SYSTEM
- ZINC ALLOY DIE CAST

SET INCLUDES

- 1 LOCK HOUSING
- 1 CYLINDER CORE
- 2 KEYS
- 1 WING CLIP

DIMENSIONS



ORDERING DETAILS

CORE SYSTEM	MASTER KEY SYSTEM	MASTER GROUP	MODEL	CYLINDER HOUSING LENGTH	FINISH	CAM / LEVER NO.
*SEE CORE SYSTEM SECTION	A NON-MASTER AM MASTER AK MAIN MASTER AG GRAND MASTER *SEE MASTER KEY SYSTEMS SECTION	1-50	201Q WING CLIP INSTALLATION	20mm	01 NICKEL 03 CHROME	DA030

KEY SHAPE	KEYWAY	LOGO
*SEE CORE SYSTEM SECTION	*SEE MASTER KEY SYSTEMS SECTION	CL

EXAMPLES:

CL13-AM1-201Q-20-03-DA030-K018-91-CC-CL
QUICK-FIX LOCK FOR FILING CABINET, CL13 CYLINDER CORE MODEL, 20mm CYLINDER HOUSING LENGTH, CHROME FINISH, GROUP 1 MASTER KEY SYSTEM, KEYS WITH CAP, CC KEYWAY

CL13-A-201Q-20-01-DA030-K034-91-CC-CL
QUICK-FIX LOCK FOR FILING CABINET, CL13 CYLINDER CORE MODEL, 20mm CYLINDER HOUSING LENGTH, NICKEL FINISH, NON-MASTER KEY SYSTEM, FOLDING KEYS, CC KEYWAY



METAL FURNITURE LOCKS



The Lock from Lock Experts



FILING CABINET

(2 DRAWERS, 3 DRAWERS, 4 DRAWERS, AND MORES)

QUICK-FIX

A-202Q-20-01-DA030



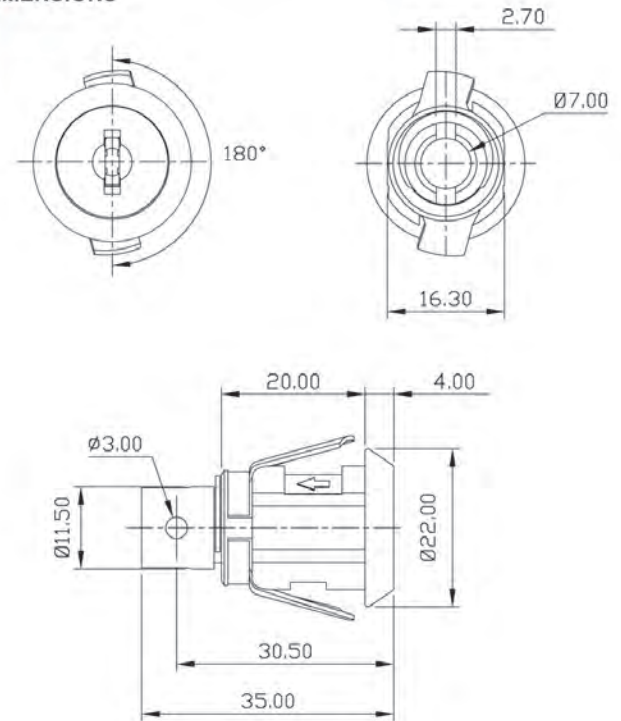
SPECIFICATIONS

- QUICK-FIX LOCK
- 180° ROTARY MOVEMENT
- KEY REMOVABLE IN LOCKED & UNLOCKED POSITIONS
- AVAILABLE IN MASTER KEY & NON-MASTER KEY SYSTEMS
- REMOVABLE CORE SYSTEM
- ZINC ALLOY DIE CAST

SET INCLUDES

- 1 LOCK HOUSING
- 1 CYLINDER CORE
- 2 KEYS
- 1 WING CLIP

DIMENSIONS



ORDERING DETAILS

CORE SYSTEM	MASTER KEY SYSTEM	MASTER GROUP	MODEL	CYLINDER HOUSING LENGTH	FINISH	CAM / LEVER NO.
*SEE CORE SYSTEM SECTION	A NON-MASTER AM MASTER AK MAIN MASTER AG GRAND MASTER *SEE MASTER KEY SYSTEMS SECTION	1-50	202Q WING CLIP INSTALLATION	20mm	01 NICKEL 03 CHROME	DA030

KEY SHAPE

*SEE CORE SYSTEM SECTION

KEYWAY

*SEE MASTER KEY SYSTEMS SECTION

LOGO

CL

EXAMPLES:

CL43-A-202Q-20-01-DA030-K071-91-WA-CL
QUICK-FIX LOCK FOR FILING CABINET, CL43 CYLINDER CORE MODEL, 20mm CYLINDER HOUSING LENGTH, NICKEL FINISH, NON-MASTER KEY SYSTEM, KEYS WITH CAP, WA KEYWAY

CL23-AM1-202Q-20-03-DA030-K059-91-FA-CL
QUICK-FIX LOCK FOR FILING CABINET, CL23 CYLINDER CORE MODEL, 20mm CYLINDER HOUSING LENGTH, CHROME FINISH, GROUP 1 MASTER KEY SYSTEM, FOLDING KEYS, FA KEYWAY



The Lock from Lock Experts

METAL FURNITURE LOCKS

- 4-IN-1
SYSTEM
- 2000
KEY CHANGES
- MASTER
KEY SYSTEM
- REMOVABLE
CORE SYSTEM
- KEY
IS OPTIONAL



FILING CABINET

(2 DRAWERS, 3 DRAWERS, 4 DRAWERS, AND MORES)

QUICK-FIX

A-203Q-20-01-DA030



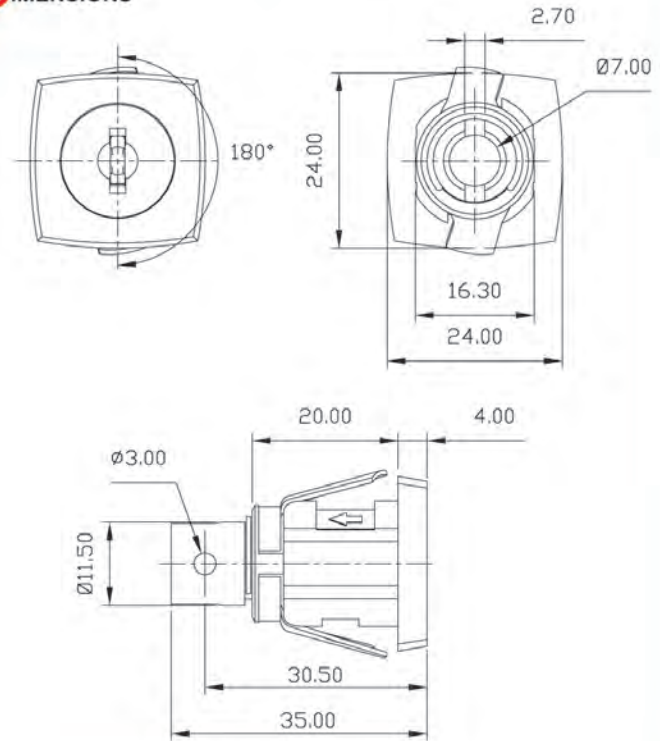
SPECIFICATIONS

- QUICK-FIX LOCK
- 180° ROTARY MOVEMENT
- KEY REMOVABLE IN LOCKED & UNLOCKED POSITIONS
- AVAILABLE IN MASTER KEY & NON-MASTER KEY SYSTEMS
- REMOVABLE CORE SYSTEM
- ZINC ALLOY DIE CAST

SET INCLUDES

- 1 LOCK HOUSING
- 1 CYLINDER CORE
- 2 KEYS
- 1 WING CLIP

DIMENSIONS



ORDERING DETAILS

CORE SYSTEM	MASTER KEY SYSTEM	MASTER GROUP	MODEL	CYLINDER HOUSING LENGTH	FINISH	CAM / LEVER NO.
*SEE CORE SYSTEM SECTION	A NON-MASTER AM MASTER AK MAIN MASTER AG GRAND MASTER *SEE MASTER KEY SYSTEMS SECTION	1-50	203Q WING CLIP INSTALLATION	20mm	01 NICKEL 03 CHROME	DA030

KEY SHAPE	KEYWAY	LOGO	EXAMPLES:
*SEE CORE SYSTEM SECTION	*SEE MASTER KEY SYSTEMS SECTION	CL	<p>CL33-AM1-203Q-20-03-DA030-K056-91-GA-CL QUICK-FIX LOCK FOR FILING CABINET, CL33 CYLINDER CORE MODEL, 20mm CYLINDER HOUSING LENGTH, CHROME FINISH, GROUP 1 MASTER KEY SYSTEM, FOLDING KEYS, GA KEYWAY</p> <p>CL43-AM1-203Q-20-01-DA030-K072-91-WA-CL QUICK-FIX LOCK FOR FILING CABINET, CL43 CYLINDER CORE MODEL, 20mm CYLINDER HOUSING LENGTH, NICKEL FINISH, GROUP 1 MASTER KEY SYSTEM, FOLDING KEYS, WA KEYWAY</p>



METAL FURNITURE LOCKS



The Lock from Lock Experts

4-IN-1 SYSTEM

2000 KEY CHANGES

MASTER KEY SYSTEM

REMOVABLE CORE SYSTEM

KEY IS OPTIONAL



FILING CABINET

(2 DRAWERS, 3 DRAWERS, 4 DRAWERS, AND MORES)



QUICK-FIX

A-204Q-20-01-DA030

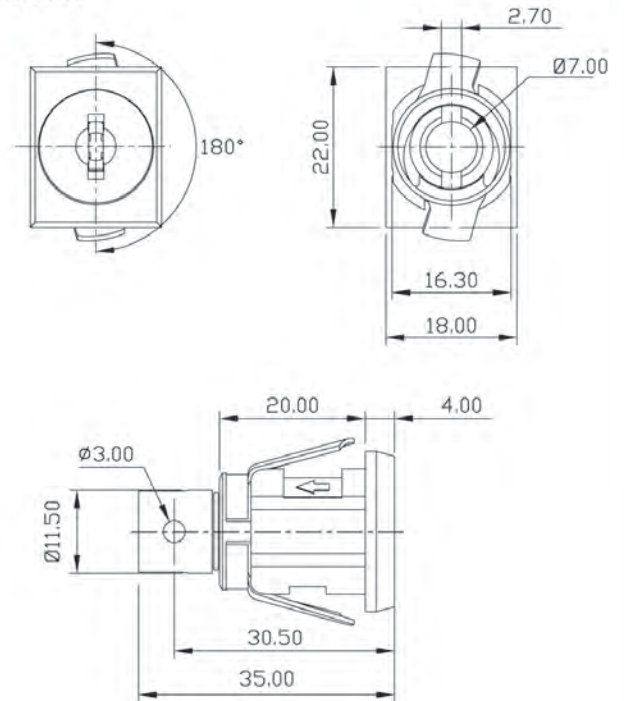
SPECIFICATIONS

- QUICK-FIX LOCK
- 180° ROTARY MOVEMENT
- KEY REMOVABLE IN LOCKED & UNLOCKED POSITIONS
- AVAILABLE IN MASTER KEY & NON-MASTER KEY SYSTEMS
- REMOVABLE CORE SYSTEM
- ZINC ALLOY DIE CAST

SET INCLUDES

- 1 LOCK HOUSING
- 1 CYLINDER CORE
- 2 KEYS
- 1 WING CLIP

DIMENSIONS



ORDERING DETAILS

CORE SYSTEM	MASTER KEY SYSTEM	MASTER GROUP	MODEL	CYLINDER HOUSING LENGTH	FINISH	CAM / LEVER NO.
*SEE CORE SYSTEM SECTION	A NON-MASTER AM MASTER AK MAIN MASTER AG GRAND MASTER *SEE MASTER KEY SYSTEMS SECTION	1-50	204Q WING CLIP INSTALLATION	20mm	01 NICKEL 03 CHROME	DA030

KEY SHAPE

KEYWAY

LOGO

*SEE CORE SYSTEM SECTION

*SEE MASTER KEY SYSTEMS SECTION

CL

EXAMPLES:

CL13-A-204Q-20-03-DA030-K034-91-CC-CL

QUICK-FIX LOCK FOR FILING CABINET, CL13 CYLINDER CORE MODEL, 20mm CYLINDER HOUSING LENGTH, CHROME FINISH, NON-MASTER KEY SYSTEM, FOLDING KEYS, CC KEYWAY

CL33-AM1-204Q-20-03-DA030-K056-91-GA-CL

QUICK-FIX LOCK FOR FILING CABINET, CL33 CYLINDER CORE MODEL, 20mm CYLINDER HOUSING LENGTH, CHROME FINISH, GROUP 1 MASTER KEY SYSTEM, FOLDING KEYS, GA KEYWAY



The Lock from Lock Experts

METAL FURNITURE LOCKS

4-IN-1 SYSTEM

2000 KEY CHANGES

MASTER KEY SYSTEM

REMOVABLE CORE SYSTEM

KEY IS OPTIONAL

SYSTEM

A



QUICK-FIX

A-205Q-20-01-DA030



FILING CABINET

(2 DRAWERS, 3 DRAWERS, 4 DRAWERS, AND MORES)

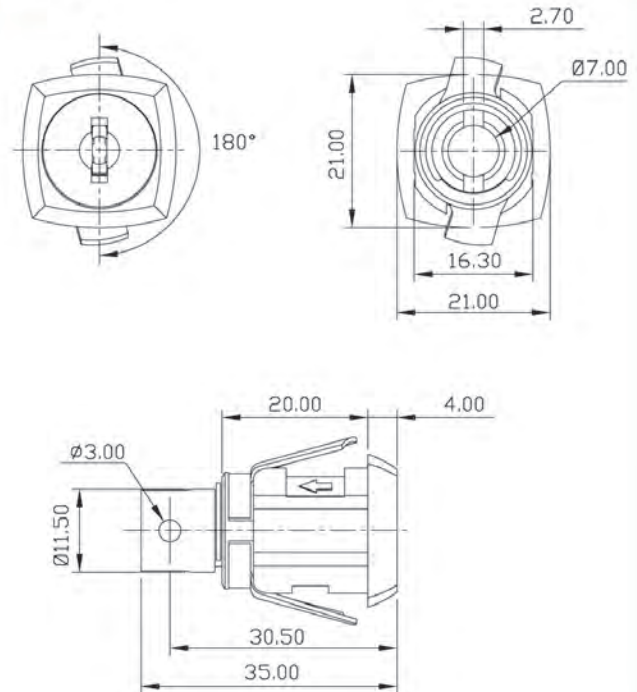
SPECIFICATIONS

- QUICK-FIX LOCK
- 180° ROTARY MOVEMENT
- KEY REMOVABLE IN LOCKED & UNLOCKED POSITIONS
- AVAILABLE IN MASTER KEY & NON-MASTER KEY SYSTEMS
- REMOVABLE CORE SYSTEM
- ZINC ALLOY DIE CAST

SET INCLUDES

- 1 LOCK HOUSING
- 1 CYLINDER CORE
- 2 KEYS
- 1 WING CLIP

DIMENSIONS



ORDERING DETAILS

CORE SYSTEM	MASTER KEY SYSTEM	MASTER GROUP	MODEL	CYLINDER HOUSING LENGTH	FINISH	CAM / LEVER NO.
*SEE CORE SYSTEM SECTION	A NON-MASTER AM MASTER AK MAIN MASTER AG GRAND MASTER *SEE MASTER KEY SYSTEMS SECTION	1-50	205Q WING CLIP INSTALLATION	20mm	01 NICKEL 03 CHROME	DA030

KEY SHAPE	KEYWAY	LOGO
*SEE CORE SYSTEM SECTION	*SEE MASTER KEY SYSTEMS SECTION	CL

EXAMPLES:

CL13-AM1-205Q-20-01-DA030-K018-91-CC-CL
QUICK-FIX LOCK FOR FILING CABINET, CL13 CYLINDER CORE MODEL, 20mm CYLINDER HOUSING LENGTH, NICKEL FINISH, GROUP 1 MASTER KEY SYSTEM, KEYS WITH CAP, CC KEYWAY

CL43-A-205Q-20-03-DA030-K072-91-WA-CL
QUICK-FIX LOCK FOR FILING CABINET, CL43 CYLINDER CORE MODEL, 20mm CYLINDER HOUSING LENGTH, CHROME FINISH, NON-MASTER KEY SYSTEM, FOLDING KEYS, WA KEYWAY



METAL FURNITURE LOCKS



The Lock from Lock Experts

4-IN-1 SYSTEM

2000 KEY CHANGES

MASTER KEY SYSTEM

REMOVABLE CORE SYSTEM

KEY IS OPTIONAL



FILING CABINET

(2 DRAWERS, 3 DRAWERS, 4 DRAWERS, AND MORE)

QUICK-FIX

A-206Q-20-01-DA030



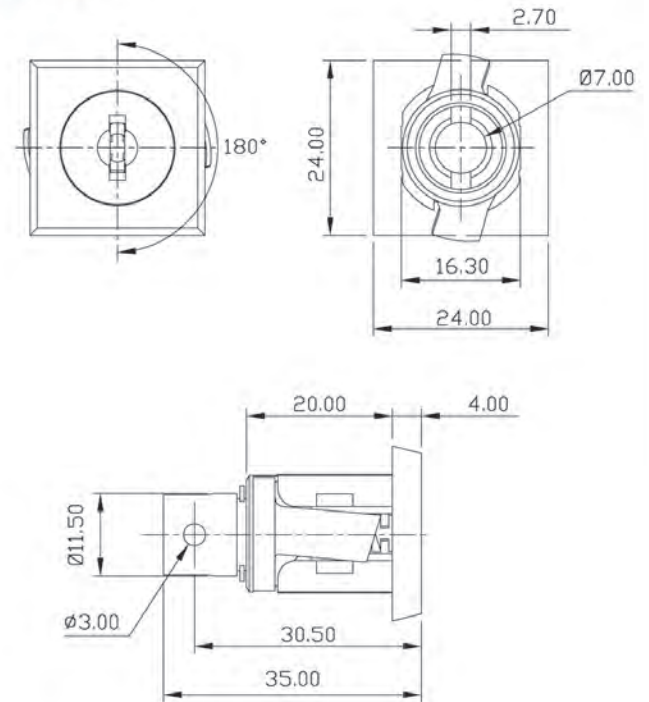
SPECIFICATIONS

- QUICK-FIX LOCK
- 180° ROTARY MOVEMENT
- KEY REMOVABLE IN LOCKED & UNLOCKED POSITIONS
- AVAILABLE IN MASTER KEY & NON-MASTER KEY SYSTEMS
- REMOVABLE CORE SYSTEM
- ZINC ALLOY DIE CAST

SET INCLUDES

- 1 LOCK HOUSING
- 1 CYLINDER CORE
- 2 KEYS
- 1 WING CLIP

DIMENSIONS



ORDERING DETAILS

CORE SYSTEM	MASTER KEY SYSTEM	MASTER GROUP	MODEL	CYLINDER HOUSING LENGTH	FINISH	CAM / LEVER NO.
*SEE CORE SYSTEM SECTION	A NON-MASTER AM MASTER AK MAIN MASTER AG GRAND MASTER *SEE MASTER KEY SYSTEMS SECTION	1-50	206Q WING CLIP INSTALLATION	20mm	01 NICKEL 03 CHROME	DA030

KEY SHAPE

*SEE CORE SYSTEM SECTION

KEYWAY

*SEE MASTER KEY SYSTEMS SECTION

LOGO

CL

EXAMPLES:

CL23-AM1-206Q-20-01-DA030-K059-91-FA-CL

QUICK-FIX LOCK FOR FILING CABINET, CL23 CYLINDER CORE MODEL, 20mm CYLINDER HOUSING LENGTH, NICKEL FINISH, GROUP 1 MASTER KEY SYSTEM, FOLDING KEYS, FA KEYWAY

CL43-A-206Q-20-03-DA030-K071-91-WA-CL

QUICK-FIX LOCK FOR FILING CABINET, CL43 CYLINDER CORE MODEL, 20mm CYLINDER HOUSING LENGTH, CHROME FINISH, NON-MASTER KEY SYSTEM, KEYS WITH CAP, WA KEYWAY



The Lock from Lock Experts

METAL FURNITURE LOCKS

4-IN-1
SYSTEM

2000
KEY CHANGES

MASTER
KEY SYSTEM

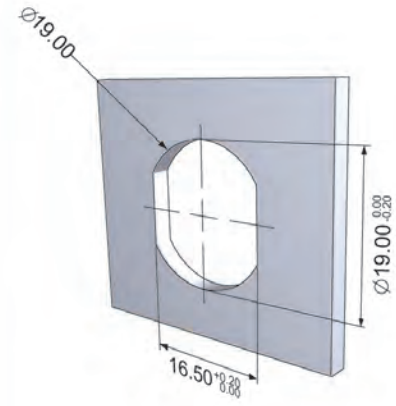
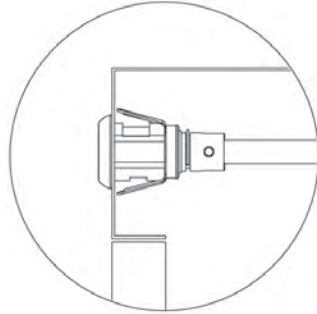
REMOVABLE
CORE SYSTEM

KEY
IS OPTIONAL



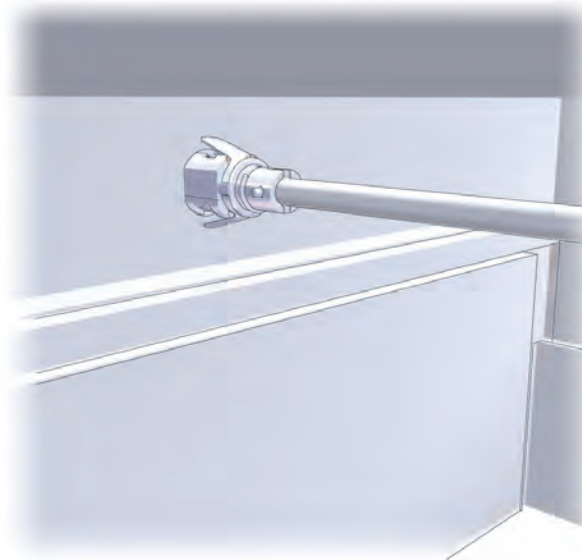
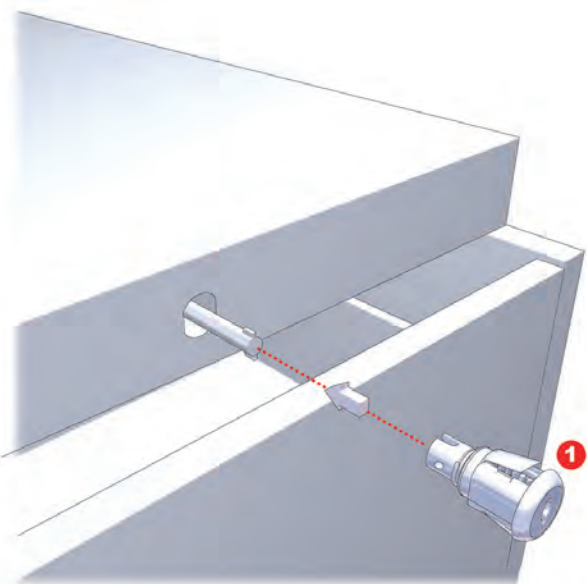
FILING CABINET

(2 DRAWERS, 3 DRAWERS, 4 DRAWERS, AND MORE)



D RILL HOLE

FIXING DETAILS





METAL FURNITURE LOCKS



The Lock from Lock Experts

4-IN-1 SYSTEM

2000 KEY CHANGES

MASTER KEY SYSTEM

REMOVABLE CORE SYSTEM

KEY IS OPTIONAL



FILING CABINET

(2 DRAWERS, 3 DRAWERS, 4 DRAWERS, AND MORE)

A-521U-20-01-DA030



U-CLIP

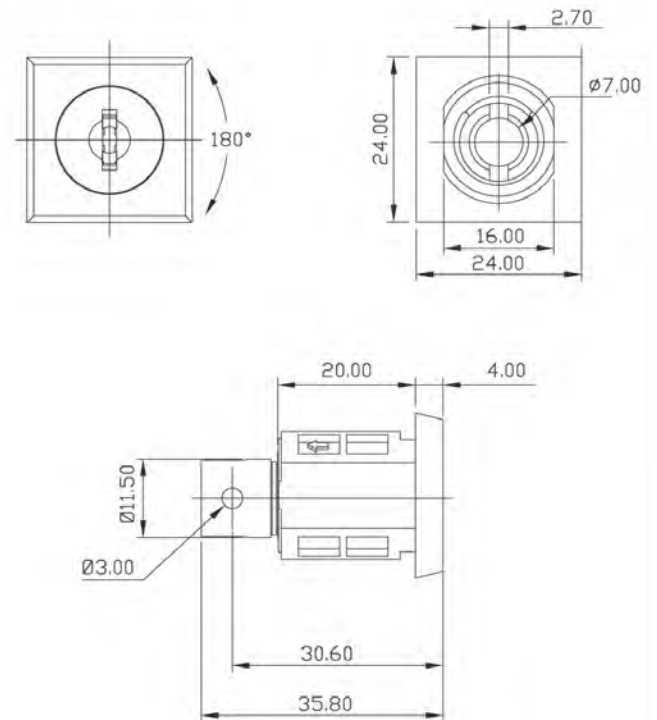
SPECIFICATIONS

- MULTI-DRAWER LOCK
- 180° ROTARY MOVEMENT
- KEY REMOVABLE IN LOCKED & UNLOCKED POSITIONS
- SK5 GRADE STEEL CLIP
- AVAILABLE IN MASTER KEY & NON-MASTER KEY SYSTEMS
- REMOVABLE CORE SYSTEM
- ZINC ALLOY DIE CAST

SET INCLUDES

- 1 LOCK HOUSING
- 1 CYLINDER CORE
- 2 KEYS
- 1 CLIP

DIMENSIONS



ORDERING DETAILS

CORE SYSTEM	MASTER KEY SYSTEM	MASTER GROUP	MODEL	CYLINDER HOUSING LENGTH	FINISH	CAM / LEVER NO.	KEY SHAPE	KEYWAY	LOGO
*SEE CORE SYSTEM SECTION	A NON-MASTER AM MASTER AK MAIN MASTER AG GRAND MASTER *SEE MASTER KEY SYSTEMS SECTION	1-50	521U U-CLIP INSTALLATION	20mm	01 NICKEL 03 CHROME	DA030	*SEE CORE SYSTEM SECTION	*SEE MASTER KEY SYSTEMS SECTION	CL

EXAMPLES:

CL13-AM2-521U-20-03-DA030-K018-91-CC-CL
MULTI-DRAWER LOCK, U-CLIP INSTALLATION, CL13 CYLINDER CORE MODEL, 20 mm CYLINDER HOUSING LENGTH, CHROME FINISH, GROUP 2 MASTER KEY SYSTEM, KEYS WITH CAP, CC KEYWAY

CL33-A-521U-20-03-DA030-K056-91-GA-CL
MULTI-DRAWER LOCK, U-CLIP INSTALLATION, CL33 CYLINDER CORE MODEL, 20 mm CYLINDER HOUSING LENGTH, CHROME FINISH, NON-MASTER KEY SYSTEM, FOLDING KEYS, GA KEYWAY



The Lock from Lock Experts

METAL FURNITURE LOCKS

4-IN-1
SYSTEM

2000
KEY CHANGES

MASTER
KEY SYSTEM

REMOVABLE
CORE SYSTEM

KEY
IS OPTIONAL

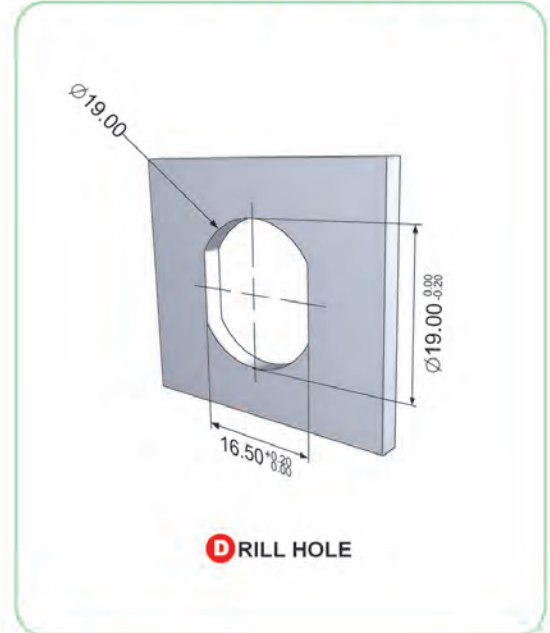


SYSTEM
A

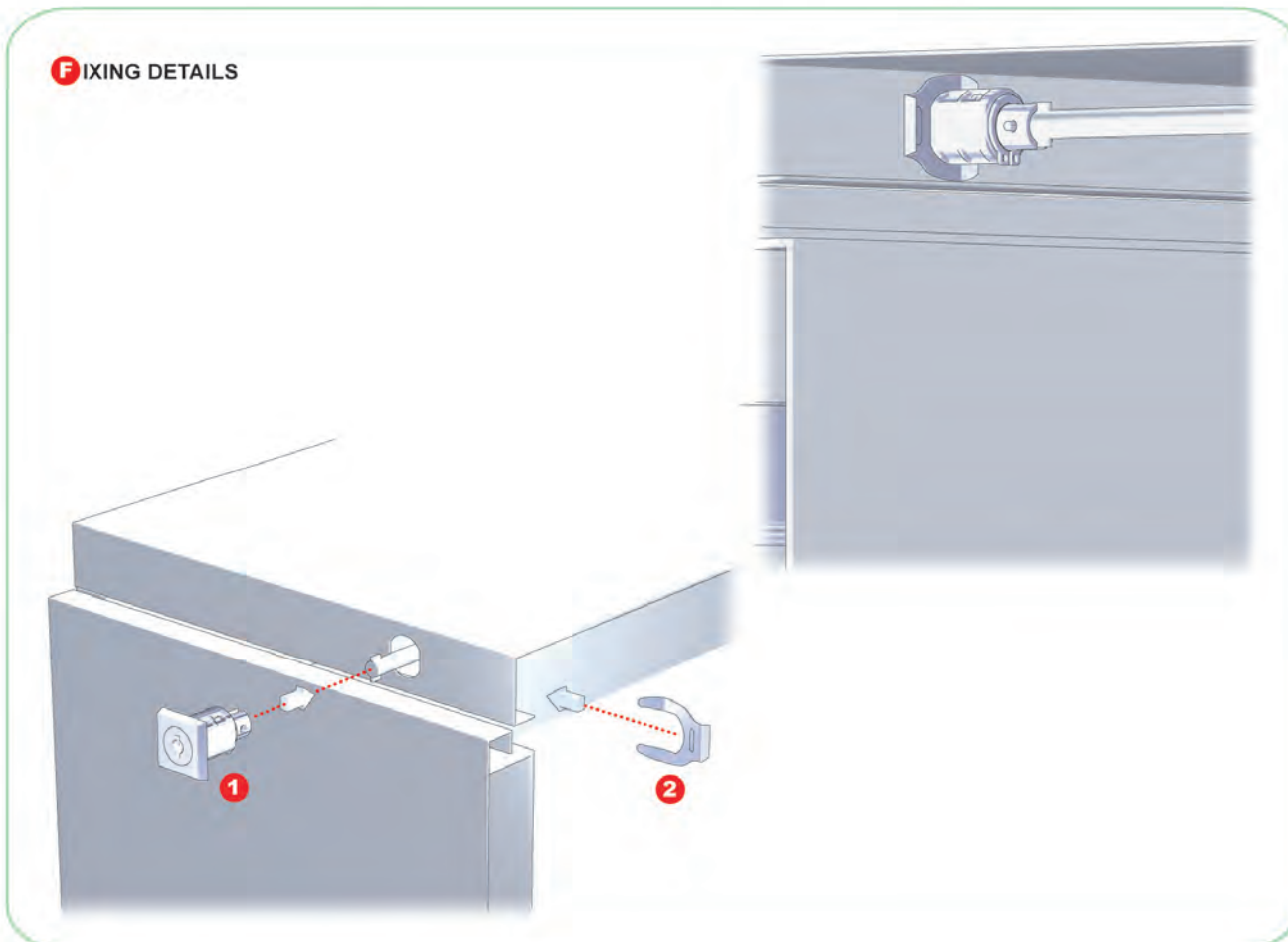


FILING CABINET

(2 DRAWERS, 3 DRAWERS, 4 DRAWERS, AND MORE)



FIXING DETAILS





METAL FURNITURE LOCKS



The Lock from Lock Experts

- 4-IN-1
SYSTEM
- 2000
KEY CHANGES
- MASTER
KEY SYSTEM
- REMOVABLE
CORE SYSTEM
- KEY
IS OPTIONAL



QUICK-FIX



LOCKER

A-201Q-20-01-C_-J9Z-R

A-201Q-20-01-C_-J93-R

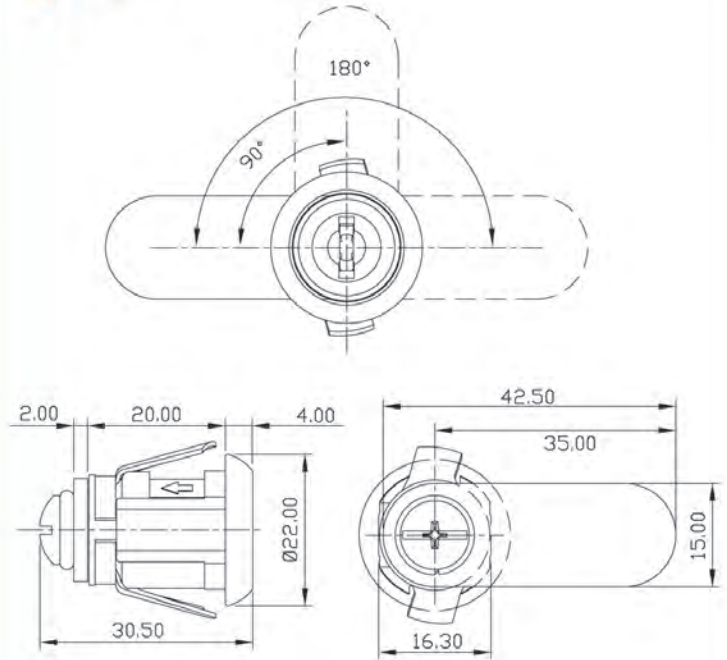
SPECIFICATIONS

- QUICK-FIX LOCK
- 90° OR 180° ROTARY CAM MOVEMENT
- KEY REMOVABLE IN LOCKED & UNLOCKED POSITIONS
- AVAILABLE IN MASTER KEY & NON-MASTER KEY SYSTEMS
- REMOVABLE CORE SYSTEM
- ZINC ALLOY DIE CAST

SET INCLUDES

- 1 LOCK HOUSING
- 1 CYLINDER CORE
- 2 KEYS
- 1 WING CLIP
- 1 SCREW
- 1 WASHER

DIMENSIONS



ORDERING DETAILS

CORE SYSTEM	MASTER KEY SYSTEM	MASTER GROUP	MODEL	CYLINDER HOUSING LENGTH	FINISH	CAM / LEVER NO.	TURNING DIRECTION
*SEE CORE SYSTEM SECTION	A NON-MASTER AM MASTER AK MAIN MASTER AG GRAND MASTER *SEE MASTER KEY SYSTEMS SECTION	1-50	201Q WING CLIP INSTALLATION	20mm	01 NICKEL 03 CHROME	C_... *SEE CAM / LEVER SECTION FOR 2.5mm THICKNESS, USE CT_...	J CLOCKWISE K COUNTERCLOCKWISE
FROM LOCKED POSITION	TO UNLOCKED POSITION	REMOVAL OF KEY WHEN UNLOCKED	KEY SHAPE	KEYWAY	LOGO		
1-Z X 9 8 7	Y Z 1 2 3 4 5 6	R REMOVABLE	*SEE CORE SYSTEM SECTION	*SEE MASTER KEY SYSTEMS SECTION	CL		

EXAMPLES:

CL13-AM1-201Q-20-03-C01-J93-R-K018-91-CC-CL
 QUICK-FIX LOCK WITH CAM TYPE C01, CL13 CYLINDER CORE MODEL, 20mm CYLINDER HOUSING LENGTH, CHROME FINISH, 180 DEGREE CLOCKWISE SWING ANGLE, FROM 9 TO 3 POSITION, GROUP 1 MASTER KEY SYSTEM, KEYS WITH CAP, CC KEYWAY

CL43-AM1-201Q-20-03-C01-J9Z-R-K072-91-WA-CL
 QUICK-FIX LOCK WITH CAM TYPE C01, CL43 CYLINDER CORE MODEL, 20mm CYLINDER HOUSING LENGTH, CHROME FINISH, 90 DEGREE CLOCKWISE SWING ANGLE, FROM 9 TO Z POSITION, GROUP 1 MASTER KEY SYSTEM, FOLDING KEYS, WA KEYWAY



The Lock from Lock Experts

METAL FURNITURE LOCKS

4-IN-1 SYSTEM

2000 KEY CHANGES

MASTER KEY SYSTEM

REMOVABLE CORE SYSTEM

KEY IS OPTIONAL



QUICK-FIX

A-202Q-20-01-C_-J9Z-R

A-202Q-20-01-C_-J93-R



LOCKER

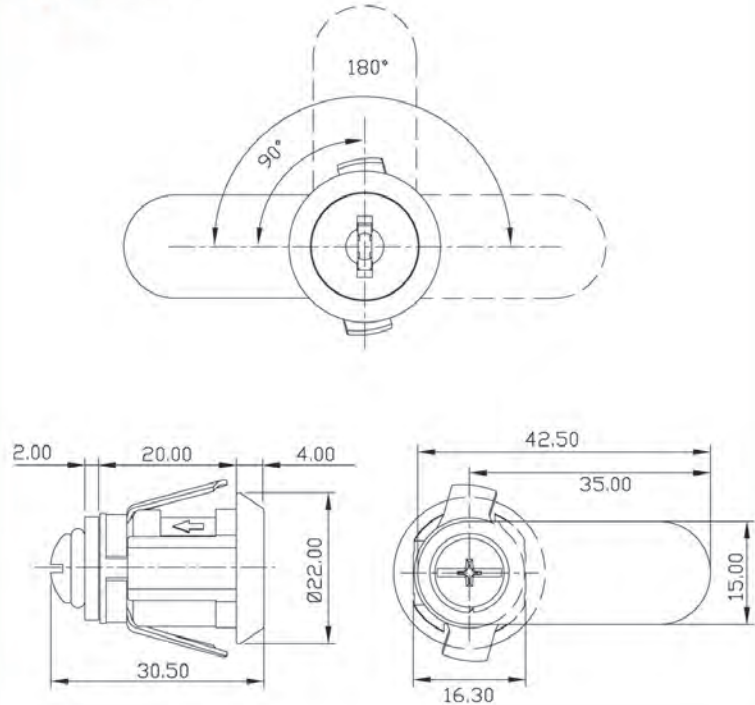
SPECIFICATIONS

- QUICK-FIX LOCK
- 90° OR 180° ROTARY CAM MOVEMENT
- KEY REMOVABLE IN LOCKED & UNLOCKED POSITIONS
- AVAILABLE IN MASTER KEY & NON-MASTER KEY SYSTEMS
- REMOVABLE CORE SYSTEM
- ZINC ALLOY DIE CAST

SET INCLUDES

- 1 LOCK HOUSING
- 1 CYLINDER CORE
- 2 KEYS
- 1 WING CLIP
- 1 SCREW
- 1 WASHER

DIMENSIONS



ORDERING DETAILS

CORE SYSTEM	MASTER KEY SYSTEM	MASTER GROUP	MODEL	CYLINDER HOUSING LENGTH	FINISH	CAM / LEVER NO.	TURNING DIRECTION
*SEE CORE SYSTEM SECTION	A NON-MASTER AM MASTER AK MAIN MASTER AG GRAND MASTER *SEE MASTER KEY SYSTEMS SECTION	1-50	202Q WING CLIP INSTALLATION	20mm	01 NICKEL 03 CHROME	C___ *SEE CAM / LEVER SECTION FOR 2.5mm THICKNESS, USE CT___	J CLOCKWISE K COUNTERCLOCKWISE

FROM LOCKED POSITION	TO UNLOCKED POSITION	REMOVAL OF KEY WHEN UNLOCKED	KEY SHAPE	KEYWAY	LOGO
1-Z X 9 8 7 6	Y Z 1 2 3 4 5	R REMOVABLE	*SEE CORE SYSTEM SECTION	*SEE MASTER KEY SYSTEMS SECTION	CL

EXAMPLES:

CL23-A-202Q-20-03-C01-J93-R-K057-91-FA-CL
QUICK-FIX LOCK WITH CAM TYPE C01, CL23 CYLINDER CORE MODEL, 20mm CYLINDER HOUSING LENGTH, CHROME FINISH, 180 DEGREE CLOCKWISE SWING ANGLE, FROM 9 TO 3 POSITION, NON-MASTER KEY SYSTEM, KEYS WITH CAP, FA KEYWAY

CL33-AM1-202Q-20-01-C01-J9Z-R-K054-91-GA-CL
QUICK-FIX LOCK WITH CAM TYPE C01, CL33 CYLINDER CORE MODEL, 20mm CYLINDER HOUSING LENGTH, NICKEL FINISH, 90 DEGREE CLOCKWISE SWING ANGLE, FROM 9 TO Z POSITION, GROUP 1 MASTER KEY SYSTEM, KEYS WITH CAP, GA KEYWAY



METAL FURNITURE LOCKS



The Lock from Lock Experts

4-IN-1 SYSTEM

2000 KEY CHANGES

MASTER KEY SYSTEM

REMOVABLE CORE SYSTEM

KEY IS OPTIONAL



QUICK-FIX



LOCKER

A-203Q-20-01-C_-J9Z-R

A-203Q-20-01-C_-J93-R

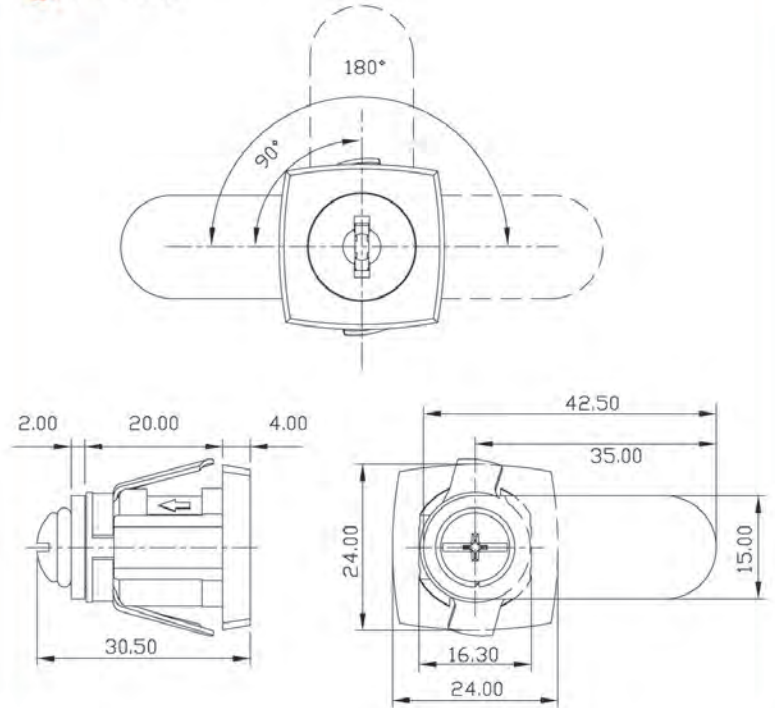
SPECIFICATIONS

- QUICK-FIX LOCK
- 90° OR 180° ROTARY CAM MOVEMENT
- KEY REMOVABLE IN LOCKED & UNLOCKED POSITIONS
- AVAILABLE IN MASTER KEY & NON-MASTER KEY SYSTEMS
- REMOVABLE CORE SYSTEM
- ZINC ALLOY DIE CAST

SET INCLUDES

- 1 LOCK HOUSING
- 1 CYLINDER CORE
- 2 KEYS
- 1 WING CLIP
- 1 SCREW
- 1 WASHER

DIMENSIONS



ORDERING DETAILS

CORE SYSTEM	MASTER KEY SYSTEM	MASTER GROUP	MODEL	CYLINDER HOUSING LENGTH	FINISH	CAM / LEVER NO.	TURNING DIRECTION
*SEE CORE SYSTEM SECTION	A NON-MASTER AM MASTER AK MAIN MASTER AG GRAND MASTER *SEE MASTER KEY SYSTEMS SECTION	1-50	203Q WING CLIP INSTALLATION	20mm	01 NICKEL 03 CHROME	C_ _ _ *SEE CAM / LEVER SECTION FOR 2.5mm THICKNESS, USE CT_ _ _	J CLOCKWISE K COUNTERCLOCKWISE

FROM LOCKED POSITION	TO UNLOCKED POSITION	REMOVAL OF KEY WHEN UNLOCKED	KEY SHAPE	KEYWAY	LOGO
1-Z X 9 8 7 6	Y Z 1 2 3 4 5	R REMOVABLE	*SEE CORE SYSTEM SECTION	*SEE MASTER KEY SYSTEMS SECTION	CL

EXAMPLES:

CL13-AM2-203Q-20-03-C02-J93-R-K034-91-CC-CL
QUICK-FIX LOCK WITH CAM TYPE C02, CL13 CYLINDER CORE MODEL, 20mm CYLINDER HOUSING LENGTH, CHROME FINISH, 180 DEGREE CLOCKWISE SWING ANGLE, FROM 9 TO 3 POSITION, GROUP 2 MASTER KEY SYSTEM, FOLDING KEYS, CC KEYWAY

CL23-A-203Q-20-03-C01-J9Z-R-K059-91-FA-CL
QUICK-FIX LOCK WITH CAM TYPE C01, CL23 CYLINDER CORE MODEL, 20mm CYLINDER HOUSING LENGTH, CHROME FINISH, 90 DEGREE CLOCKWISE SWING ANGLE, FROM 9 TO Z POSITION, NON-MASTER KEY SYSTEM, FOLDING KEYS, FA KEYWAY



The Lock from Lock Experts

METAL FURNITURE LOCKS

4-IN-1 SYSTEM

2000 KEY CHANGES

MASTER KEY SYSTEM

REMOVABLE CORE SYSTEM

KEY IS OPTIONAL

SYSTEM



QUICK-FIX

A-204Q-20-01-C_-J9Z-R

A-204Q-20-01-C_-J93-R



LOCKER

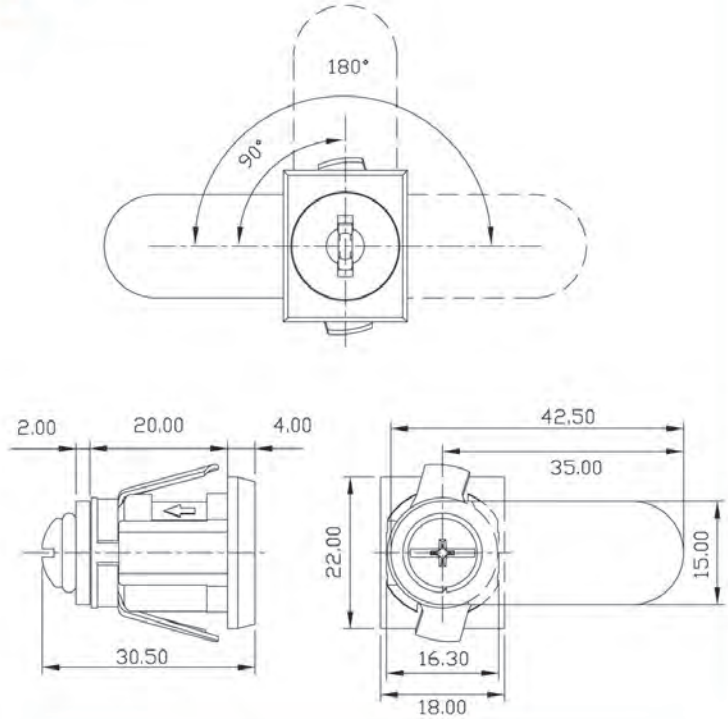
SPECIFICATIONS

- QUICK-FIX LOCK
- 90° OR 180° ROTARY CAM MOVEMENT
- KEY REMOVABLE IN LOCKED & UNLOCKED POSITIONS
- AVAILABLE IN MASTER KEY & NON-MASTER KEY SYSTEMS
- REMOVABLE CORE SYSTEM
- ZINC ALLOY DIE CAST

SET INCLUDES

- 1 LOCK HOUSING
- 1 CYLINDER CORE
- 2 KEYS
- 1 WING CLIP
- 1 SCREW
- 1 WASHER

DIMENSIONS



ORDERING DETAILS

CORE SYSTEM	MASTER KEY SYSTEM	MASTER GROUP	MODEL	CYLINDER HOUSING LENGTH	FINISH	CAM / LEVER NO.	TURNING DIRECTION
*SEE CORE SYSTEM SECTION	A NON-MASTER AM MASTER AK MAIN MASTER AG GRAND MASTER *SEE MASTER KEY SYSTEMS SECTION	1-50	204Q WING CLIP INSTALLATION	20mm	01 NICKEL 03 CHROME	C_ _ _ *SEE CAM / LEVER SECTION FOR 2.5mm THICKNESS, USE CT_ _ _	J CLOCKWISE K COUNTERCLOCKWISE

FROM LOCKED POSITION	TO UNLOCKED POSITION	REMOVAL OF KEY WHEN UNLOCKED	KEY SHAPE	KEYWAY	LOGO
1-Z X 9 8 7 6	Y Z 1 2 3 4 5	R REMOVABLE	*SEE CORE SYSTEM SECTION	*SEE MASTER KEY SYSTEMS SECTION	CL

EXAMPLES:

CL13-A-204Q-20-03-C02-J93-R-K018-91-CC-CL
QUICK-FIX LOCK WITH CAM TYPE C02, CL13 CYLINDER CORE MODEL, 20mm CYLINDER HOUSING LENGTH, CHROME FINISH, 180 DEGREE CLOCKWISE SWING ANGLE, FROM 9 TO 3 POSITION, NON-MASTER KEY SYSTEM, KEYS WITH CAP, CC KEYWAY

CL33-AM1-204Q-20-01-C02-J9Z-R-K054-91-GA-CL
QUICK-FIX LOCK WITH CAM TYPE C02, CL33 CYLINDER CORE MODEL, 20mm CYLINDER HOUSING LENGTH, NICKEL FINISH, 90 DEGREE CLOCKWISE SWING ANGLE, FROM 9 TO Z POSITION, GROUP 1 MASTER KEY SYSTEM, KEYS WITH CAP, GA KEYWAY



METAL FURNITURE LOCKS



The Lock from Lock Experts

- 4-IN-1
SYSTEM
- 2000
KEY CHANGES
- MASTER
KEY SYSTEM
- REMOVABLE
CORE SYSTEM
- KEY
IS OPTIONAL



QUICK-FIX



LOCKER

A-205Q-20-01-C_-J9Z-R

A-205Q-20-01-C_-J93-R

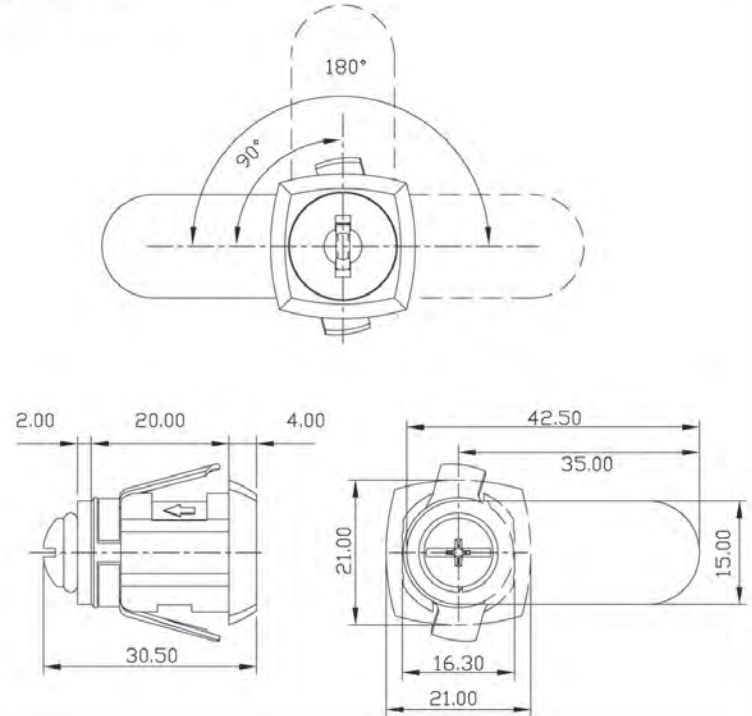
SPECIFICATIONS

- QUICK-FIX LOCK
- 90° OR 180° ROTARY CAM MOVEMENT
- KEY REMOVABLE IN LOCKED & UNLOCKED POSITIONS
- AVAILABLE IN MASTER KEY & NON-MASTER KEY SYSTEMS
- REMOVABLE CORE SYSTEM
- ZINC ALLOY DIE CAST

SET INCLUDES

- 1 LOCK HOUSING
- 1 CYLINDER CORE
- 2 KEYS
- 1 WING CLIP
- 1 SCREW
- 1 WASHER

DIMENSIONS



ORDERING DETAILS

CORE SYSTEM	MASTER KEY SYSTEM	MASTER GROUP	MODEL	CYLINDER HOUSING LENGTH	FINISH	CAM / LEVER NO.	TURNING DIRECTION
*SEE CORE SYSTEM SECTION	A NON-MASTER AM MASTER AK MAIN MASTER AG GRAND MASTER *SEE MASTER KEY SYSTEMS SECTION	1-50	205Q WING CLIP INSTALLATION	20mm	01 NICKEL 03 CHROME	C___ *SEE CAM / LEVER SECTION FOR 2.5mm THICKNESS, USE CT___	J CLOCKWISE K COUNTERCLOCKWISE

FROM LOCKED POSITION	TO UNLOCKED POSITION	REMOVAL OF KEY WHEN UNLOCKED	KEY SHAPE	KEYWAY	LOGO
1-Z X 9 8 7	Y Z 1 2 3 4 5 6	R REMOVABLE	*SEE CORE SYSTEM SECTION	*SEE MASTER KEY SYSTEMS SECTION	CL

EXAMPLES:

CL43-AM1-205Q-20-03-C36-J93-R-K071-91-WA-CL
QUICK-FIX LOCK WITH CAM TYPE C36, CL43 CYLINDER CORE MODEL, 20mm CYLINDER HOUSING LENGTH, CHROME FINISH, 180 DEGREE CLOCKWISE SWING ANGLE, FROM 9 TO 3 POSITION, GROUP 1 MASTER KEY SYSTEM, KEYS WITH CAP, WA KEYWAY

CL33-A-205Q-20-01-C01-J9Z-R-K056-91-GA-CL
QUICK-FIX LOCK WITH CAM TYPE C01, CL33 CYLINDER CORE MODEL, 20mm CYLINDER HOUSING LENGTH, NICKEL FINISH, 90 DEGREE CLOCKWISE SWING ANGLE, FROM 9 TO Z POSITION, NON-MASTER KEY SYSTEM, FOLDING KEYS, GA KEYWAY



The Lock from Lock Experts

METAL FURNITURE LOCKS

- 4-IN-1
SYSTEM
- 2000
KEY CHANGES
- MASTER
KEY SYSTEM
- REMOVABLE
CORE SYSTEM
- KEY
IS OPTIONAL



QUICK-FIX

A-206Q-20-01-C_-J9Z-R

A-206Q-20-01-C_-J93-R



LOCKER

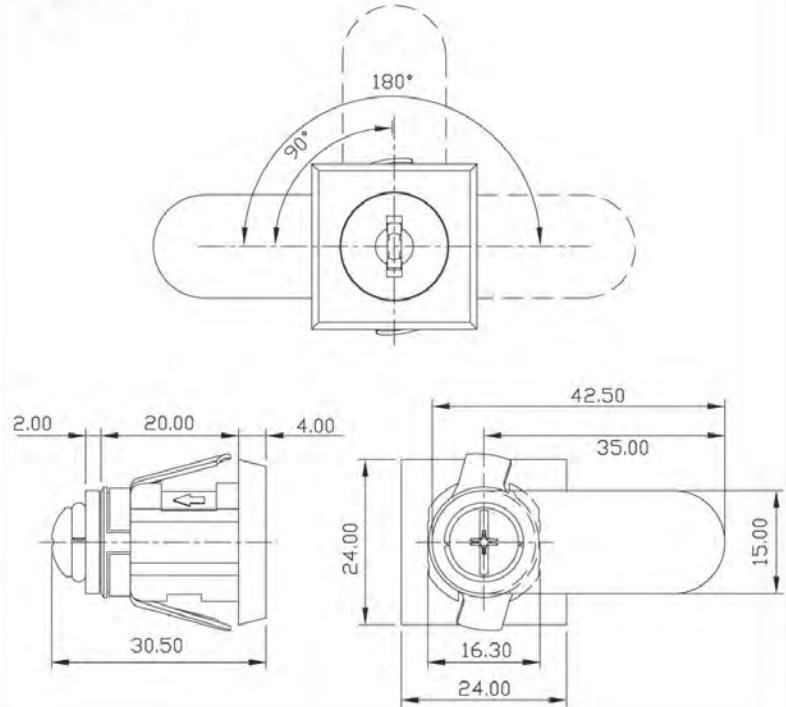
SPECIFICATIONS

- QUICK-FIX LOCK
- 90° OR 180° ROTARY CAM MOVEMENT
- KEY REMOVABLE IN LOCKED & UNLOCKED POSITIONS
- AVAILABLE IN MASTER KEY & NON-MASTER KEY SYSTEMS
- REMOVABLE CORE SYSTEM
- ZINC ALLOY DIE CAST

SET INCLUDES

- 1 LOCK HOUSING
- 1 CYLINDER CORE
- 2 KEYS
- 1 WING CLIP
- 1 SCREW
- 1 WASHER

DIMENSIONS



ORDERING DETAILS

CORE SYSTEM	MASTER KEY SYSTEM	MASTER GROUP	MODEL	CYLINDER HOUSING LENGTH	FINISH	CAM / LEVER NO.	TURNING DIRECTION
*SEE CORE SYSTEM SECTION	A NON-MASTER AM MASTER AK MAIN MASTER AG GRAND MASTER *SEE MASTER KEY SYSTEMS SECTION	1-50	206Q WING CLIP INSTALLATION	20mm	01 NICKEL 03 CHROME	C_ _ _ *SEE CAM / LEVER SECTION FOR 2.5mm THICKNESS, USE CT_ _ _	J CLOCKWISE K COUNTERCLOCKWISE

FROM LOCKED POSITION	TO UNLOCKED POSITION	REMOVAL OF KEY WHEN UNLOCKED	KEY SHAPE	KEYWAY	LOGO
1-Z X 9 8 7 6	Y Z 1 2 3 4 5	R REMOVABLE	*SEE CORE SYSTEM SECTION	*SEE MASTER KEY SYSTEMS SECTION	CL

EXAMPLES:

CL13-A-206Q-20-03-C36-J93-R-K018-91-CC-CL
QUICK-FIX LOCK WITH CAM TYPE C36, CL13 CYLINDER CORE MODEL, 20mm CYLINDER HOUSING LENGTH, CHROME FINISH, 180 DEGREE CLOCKWISE SWING ANGLE, FROM 9 TO 3 POSITION, NON-MASTER KEY SYSTEM, KEYS WITH CAP, CC KEYWAY

CL33-AM1-206Q-20-01-C02-J9Z-R-K054-91-GA-CL
QUICK-FIX LOCK WITH CAM TYPE C02, CL33 CYLINDER CORE MODEL, 20mm CYLINDER HOUSING LENGTH, NICKEL FINISH, 90 DEGREE CLOCKWISE SWING ANGLE, FROM 9 TO Z POSITION, GROUP 1 MASTER KEY SYSTEM, KEYS WITH CAP, GA KEYWAY



METAL FURNITURE LOCKS



The Lock from Lock Experts

4-IN-1
SYSTEM

2000
KEY CHANGES

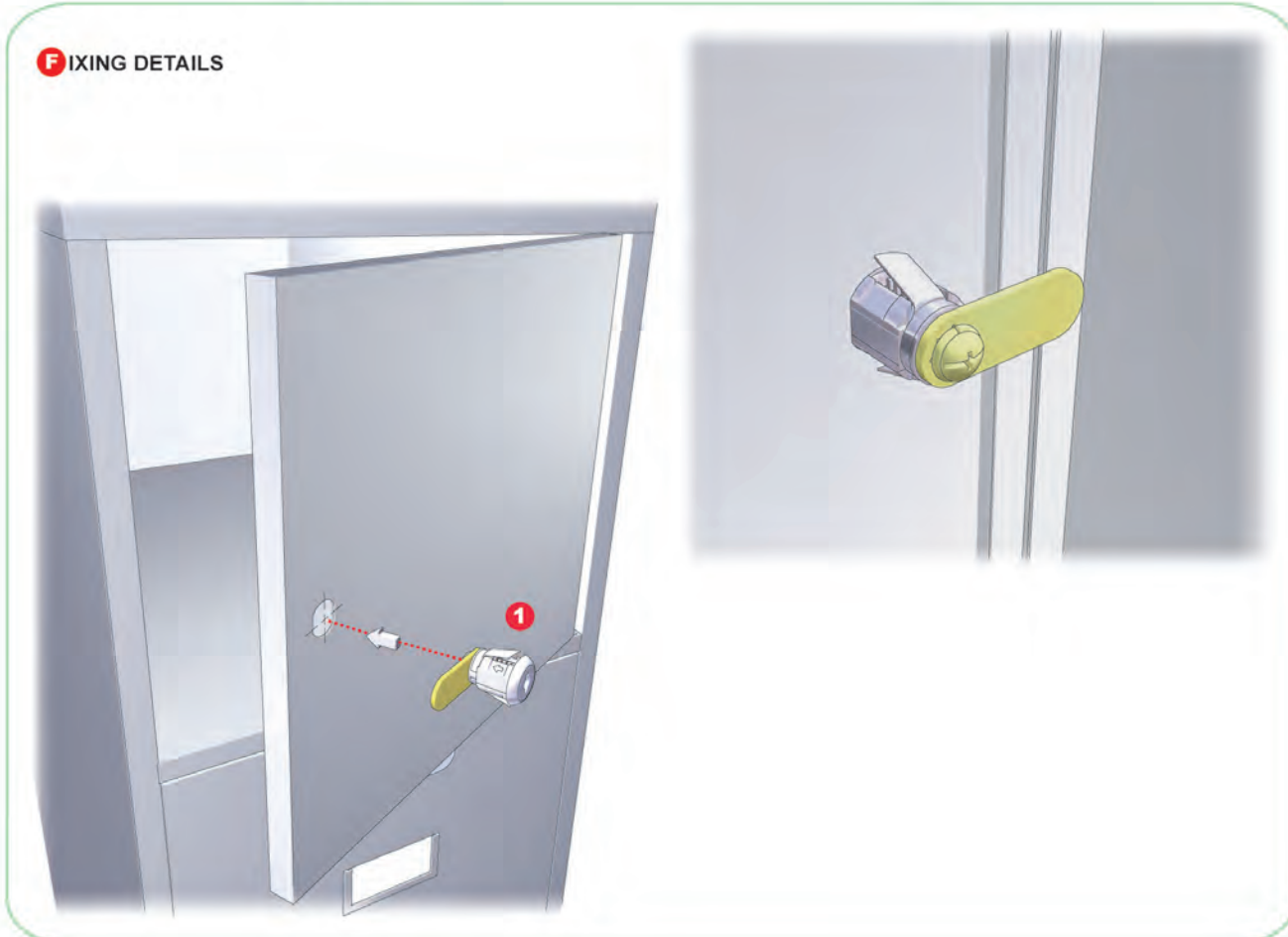
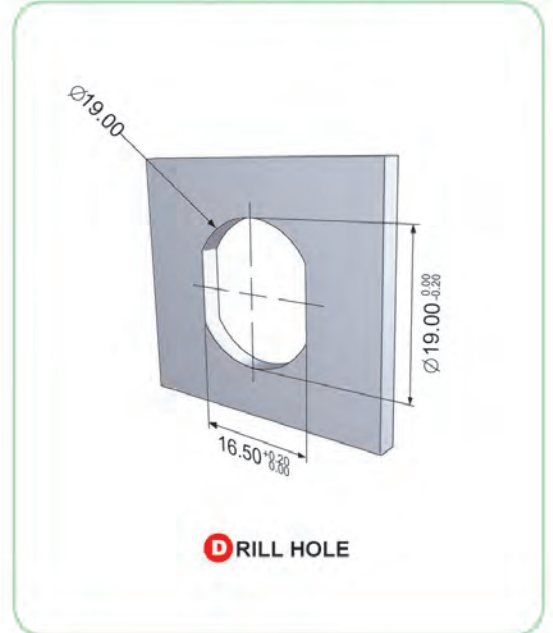
MASTER
KEY SYSTEM

REMOVABLE
CORE SYSTEM

KEY
IS OPTIONAL



LOCKER





The Lock from Lock Experts

METAL FURNITURE LOCKS

- 4-IN-1
SYSTEM
- 2000
KEY CHANGES
- MASTER
KEY SYSTEM
- REMOVABLE
CORE SYSTEM
- KEY
IS OPTIONAL



QUICK-FIX

A-261-20-91-C_-J9Z-R

A-261-20-91-C_-J93-R



LOCKER

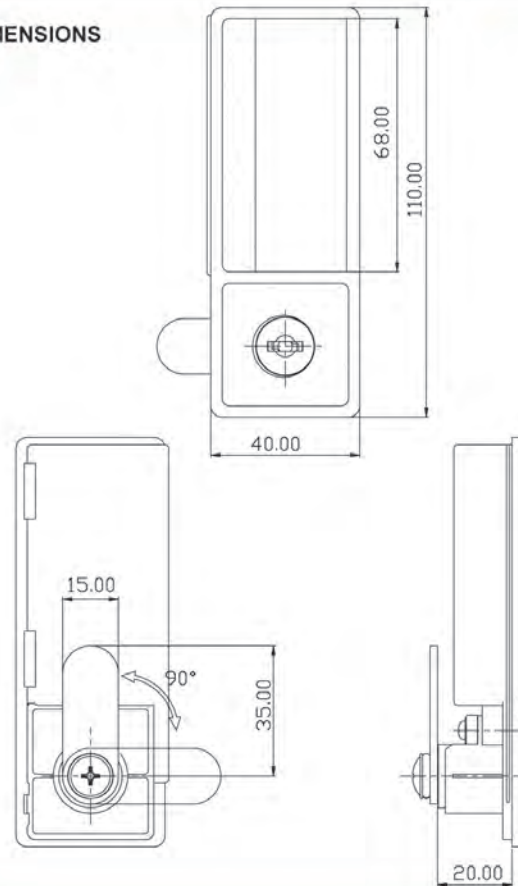
SPECIFICATIONS

- QUICK-FIX LOCK
- LOCKER HANDLE LOCK
- 90° ROTARY CAM MOVEMENT
- KEY REMOVABLE IN LOCKED & UNLOCKED POSITIONS
- AVAILABLE IN MASTER KEY & NON-MASTER KEY SYSTEMS
- REMOVABLE CORE SYSTEM

SET INCLUDES

- 1 HANDLE LOCK HOUSING
- 1 CYLINDER CORE
- 2 KEYS
- 1 TYPE C01 CAM

DIMENSIONS



ORDERING DETAILS

CORE SYSTEM	MASTER KEY SYSTEM	MASTER GROUP	MODEL	CYLINDER HOUSING LENGTH	FINISH	CAM / LEVER NO.	TURNING DIRECTION
*SEE CORE SYSTEM SECTION	A NON-MASTER AM MASTER AK MAIN MASTER AG GRAND MASTER *SEE MASTER KEY SYSTEMS SECTION	1-50	261	20mm	51 DULL ALUMINUM 52 GOLDEN BRONZE 53 BLUE 54 RED 55 GREEN 91 BLACK 94 GREY 98 CREAM	C _ _ _ *SEE CAM / LEVER SECTION FOR 2.5mm THICKNESS, USE CT _ _ _	J CLOCKWISE K COUNTERCLOCKWISE

FROM LOCKED POSITION	TO UNLOCKED POSITION	REMOVAL OF KEY WHEN UNLOCKED	KEY SHAPE	KEYWAY	LOGO
1-Z X 9 8 7 6	Y Z 1 2 3 4 5	R REMOVABLE	*SEE CORE SYSTEM SECTION	*SEE MASTER KEY SYSTEMS SECTION	CL

EXAMPLES:

CL13-AM1-261-20-55-C01-J9Z-R-K034-91-CC-CL
 LOCKER HANDLE LOCK WITH CAM TYPE C01,
 CL13 CYLINDER CORE MODEL, 20mm CYLINDER HOUSING LENGTH,
 GREEN FINISH, 90 DEGREE CLOCKWISE SWING ANGLE,
 FROM 9 TO Z POSITION, GROUP 1 MASTER KEY SYSTEM,
 FOLDING KEYS, CC KEYWAY



The Lock from Lock Experts

METAL FURNITURE LOCKS

4-IN-1 SYSTEM

2000 KEY CHANGES

MASTER KEY SYSTEM

REMOVABLE CORE SYSTEM

KEY IS OPTIONAL



QUICK-FIX



LOCKER HANDLE LOCK

A-262-20-91-C_-K3Z-R

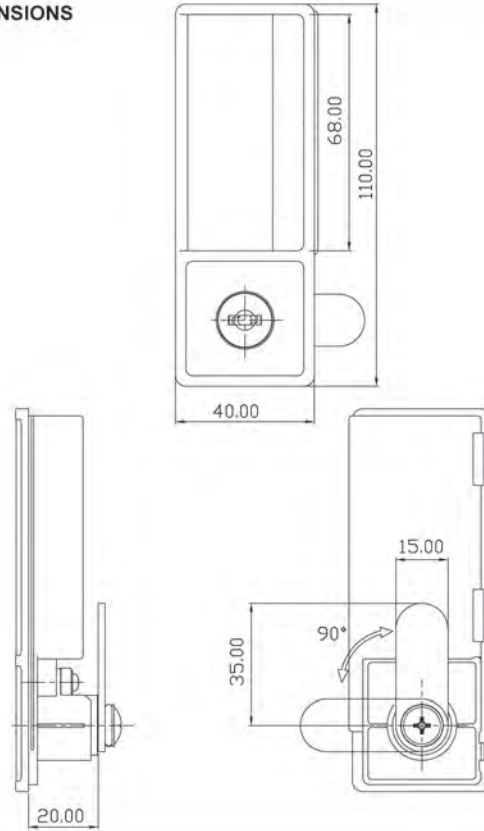
SPECIFICATIONS

- QUICK-FIX LOCK
- LOCKER HANDLE LOCK
- 90° ROTARY CAM MOVEMENT
- KEY REMOVABLE IN LOCKED & UNLOCKED POSITIONS
- AVAILABLE IN MASTER KEY & NON-MASTER KEY SYSTEMS
- REMOVABLE CORE SYSTEM

SET INCLUDES

- 1 HANDLE LOCK HOUSING
- 1 CYLINDER CORE
- 2 KEYS
- 1 TYPE C01 CAM

DIMENSIONS



ORDERING DETAILS

CORE SYSTEM	MASTER KEY SYSTEM	MASTER GROUP	MODEL	CYLINDER HOUSING LENGTH	FINISH	CAM / LEVER NO.	TURNING DIRECTION
*SEE CORE SYSTEM SECTION	A NON-MASTER AM MASTER AK MAIN MASTER AG GRAND MASTER *SEE MASTER KEY SYSTEMS SECTION	1-50	262	20mm	51 DULL ALUMINUM 52 GOLDEN BRONZE 53 BLUE 54 RED 55 GREEN 91 BLACK 94 GREY 98 CREAM	C___ *SEE CAM / LEVER SECTION FOR 2.5mm THICKNESS, USE CT___	J CLOCKWISE K COUNTERCLOCKWISE

FROM LOCKED POSITION	TO UNLOCKED POSITION	REMOVAL OF KEY WHEN UNLOCKED	KEY SHAPE	KEYWAY	LOGO
1-Z X Y Z 9 8 7 6 2 3 4 5	1-Z	R REMOVABLE	*SEE CORE SYSTEM SECTION	*SEE MASTER KEY SYSTEMS SECTION	CL

EXAMPLES:

CL13-AM1-262-20-55-C01-K3Z-R-K080-91-CC-CL
 LOCKER HANDLE LOCK WITH CAM TYPE C01,
 CL13 CYLINDER CORE MODEL, 20mm CYLINDER HOUSING LENGTH,
 GREEN FINISH, 90 DEGREE COUNTERCLOCKWISE SWING ANGLE,
 FROM 3 TO Z POSITION, GROUP 1 MASTER KEY SYSTEM,
 FOLDING KEYS, CC KEYWAY



METAL FURNITURE LOCKS



The Lock from Lock Experts

4-IN-1
SYSTEM

2000
KEY CHANGES

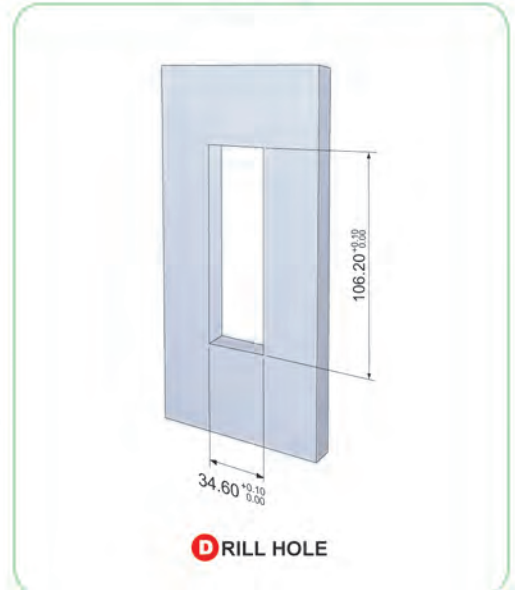
MASTER
KEY SYSTEM

REMOVABLE
CORE SYSTEM

KEY
IS OPTIONAL



LOCKER



THE COLORS ON CATALOGUE ARE FOR GUIDANCE ONLY, ACTUAL PRODUCT COLORS MAY DIFFER.



The Lock from Lock Experts

METAL FURNITURE LOCKS

- 4-IN-1 SYSTEM
- 2000 KEY CHANGES
- MASTER KEY SYSTEM
- REMOVABLE CORE SYSTEM
- KEY IS OPTIONAL



LOCKER

A-607X-20-01-C_-J9Z-R

A-607X-20-01-C_-J93-R

A-607U-20-01-C_-J9Z-R

A-607U-20-01-C_-J93-R

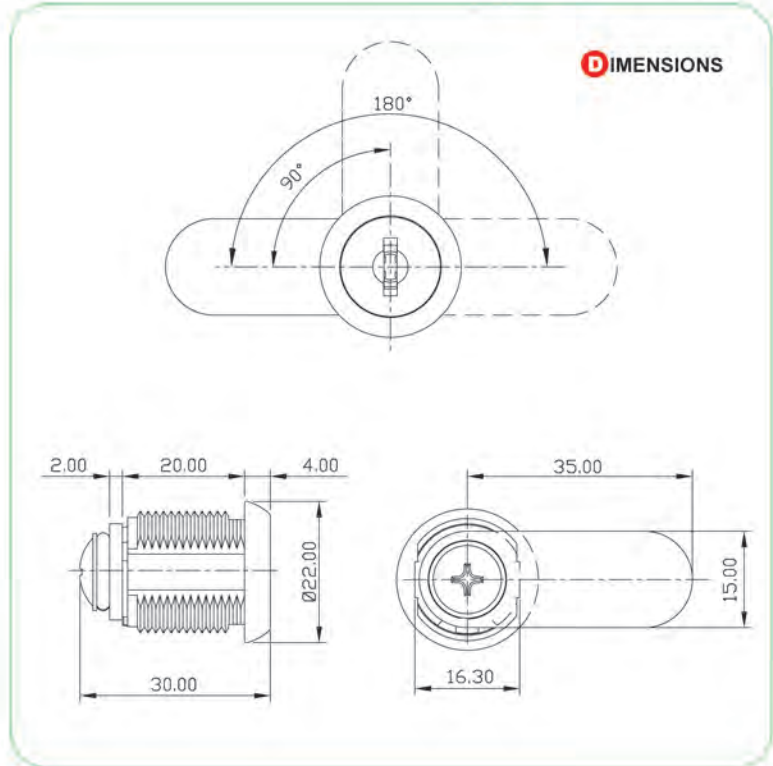


SPECIFICATIONS

- 20mm CAM LOCK WITH CAM TYPE C01
- 90° OR 180° ROTARY CAM MOVEMENT
- KEY REMOVABLE IN LOCKED & UNLOCKED POSITIONS
- AVAILABLE IN MASTER KEY & NON-MASTER KEY SYSTEMS
- REMOVABLE CORE SYSTEM
- ZINC ALLOY DIE CAST

SET INCLUDES

- 1 LOCK HOUSING
- 1 CYLINDER CORE
- 2 KEYS
- 1 HEXAGONAL NUT OR 1 CLIP
- 1 SCREW
- 1 WASHER
- 1 CAM TYPE



ORDERING DETAILS

CORE SYSTEM	MASTER KEY SYSTEM	MASTER GROUP	MODEL	CYLINDER HOUSING LENGTH	FINISH	CAM / LEVER NO.	TURNING DIRECTION
*SEE CORE SYSTEM SECTION	A NON-MASTER AM MASTER AK MAIN MASTER AG GRAND MASTER *SEE MASTER KEY SYSTEMS SECTION	1-50	607X NUT INSTALLATION 607U U-CLIP INSTALLTION	20mm	01 NICKEL 03 CHROME	C____ *SEE CAM / LEVER SECTION FOR 2.5mm THICKNESS, USE CT____	J CLOCKWISE K COUNTERCLOCKWISE

FROM LOCKED POSITION	TO UNLOCKED POSITION	REMOVAL OF KEY WHEN UNLOCKED	KEY SHAPE	KEYWAY	LOGO
1-Z X 9 8 7 6	Y Z 1 2 3 4 5	R REMOVABLE	*SEE CORE SYSTEM SECTION	*SEE MASTER KEY SYSTEMS SECTION	CL

EXAMPLES:

CL13-AM1-607X-20-03-C01-J9Z-R-K034-91-CC-CL
CAM LOCK WITH CAM TYPE C01, NUT INSTALLATION, CL13 CYLINDER CORE MODEL, 20mm CYLINDER HOUSING LENGTH, CHROME FINISH, 90 DEGREE CLOCKWISE SWING ANGLE, FROM 9 TO Z POSITION, GROUP 1 MASTER KEY SYSTEM, FOLDING KEYS, CC KEYWAY

CL33-A-607U-20-01-C01-J9Z-R-K054-91-GA-CL
CAM LOCK WITH CAM TYPE C01, U-CLIP INSTALLATION, CL33 CYLINDER CORE MODEL, 20mm CYLINDER HOUSING LENGTH, NICKEL FINISH, 90 DEGREE CLOCKWISE SWING ANGLE, FROM 9 TO Z POSITION, NON-MASTER KEY SYSTEM, KEYS WITH CAP, GA KEYWAY



METAL FURNITURE LOCKS

4-IN-1
SYSTEM

2000
KEY CHANGES

MASTER
KEY SYSTEM

REMOVABLE
CORE SYSTEM

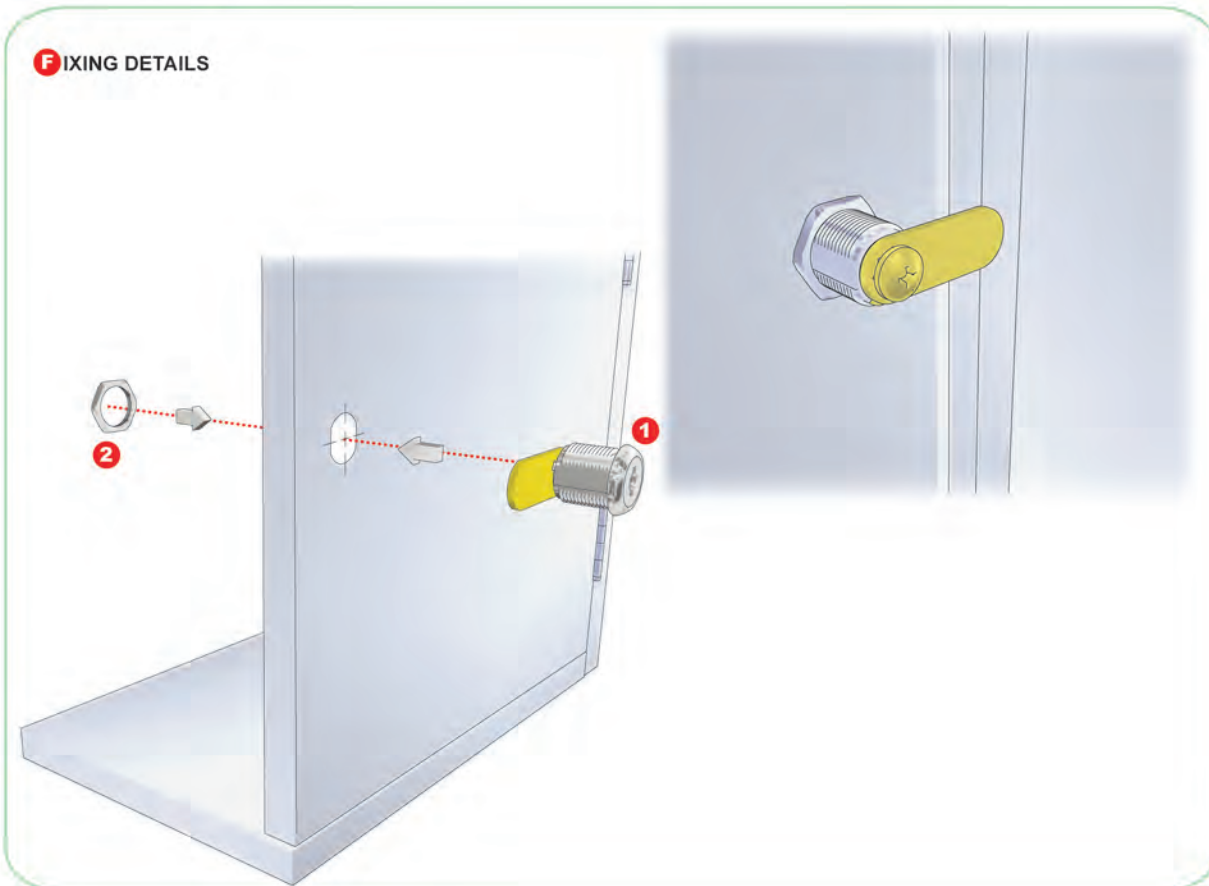
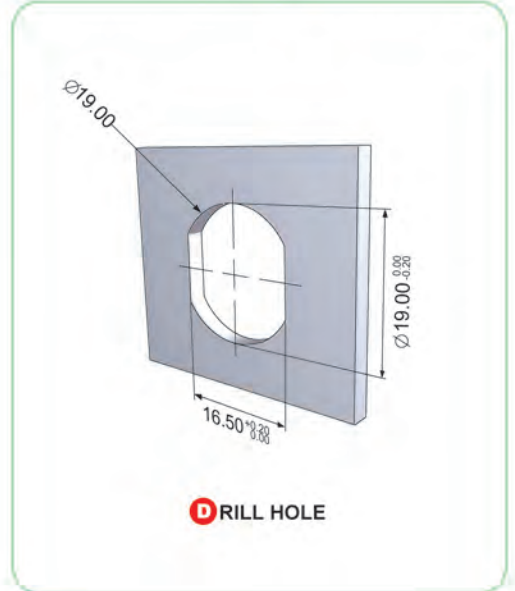
KEY
IS OPTIONAL



The Lock from Lock Experts



LOCKER





The Lock from Lock Experts

METAL FURNITURE LOCKS

- 4-IN-1 SYSTEM
- 2000 KEY CHANGES
- MASTER KEY SYSTEM
- REMOVABLE CORE SYSTEM
- KEY IS OPTIONAL



NUT
U-CLIP

A-607X-25-01-C_-JZ3-R

A-607X-25-01-C_-JZ6-R

A-607U-25-01-C_-JZ3-R

A-607U-25-01-C_-JZ6-R



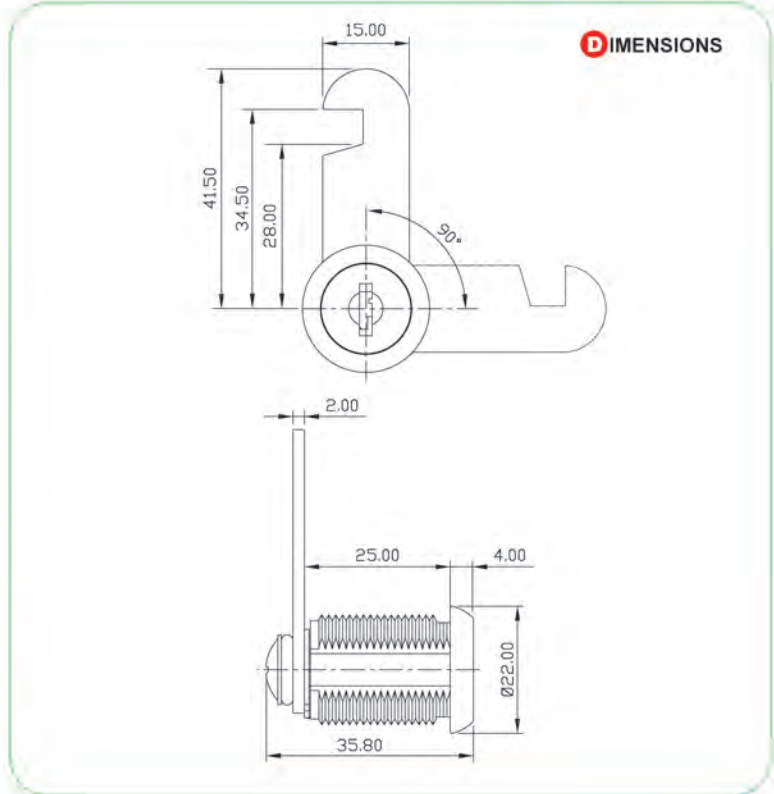
LOCKER

SPECIFICATIONS

- 25mm CAM LOCK WITH CAM TYPE C18
- 90° ROTARY CAM MOVEMENT
- KEY REMOVABLE IN LOCKED & UNLOCKED POSITIONS
- AVAILABLE IN MASTER KEY & NON-MASTER KEY SYSTEMS
- REMOVABLE CORE SYSTEM
- ZINC ALLOY DIE CAST

SET INCLUDES

- 1 LOCK HOUSING
- 1 CYLINDER CORE
- 2 KEYS
- 1 HEXAGONAL NUT OR 1 CLIP
- 1 SCREW
- 1 WASHER
- 1 CAM TYPE



ORDERING DETAILS

CORE SYSTEM	MASTER KEY SYSTEM	MASTER GROUP	MODEL	CYLINDER HOUSING LENGTH	FINISH	CAM / LEVER NO.	TURNING DIRECTION
*SEE CORE SYSTEM SECTION	A NON-MASTER AM MASTER AK MAIN MASTER AG GRAND MASTER *SEE MASTER KEY SYSTEMS SECTION	1-50	607X NUT INSTALLATION 607U U-CLIP INSTALLTION	25mm	01 NICKEL 02 BRASS 03 CHROME	C_... *SEE CAM / LEVER SECTION FOR 2.5mm THICKNESS, USE CT_...	J CLOCKWISE K COUNTERCLOCKWISE

FROM LOCKED POSITION	TO UNLOCKED POSITION	REMOVAL OF KEY WHEN UNLOCKED	KEY SHAPE	KEYWAY	LOGO
1-Z X 9 8 7 6	Y Z 1 2 3 4 5	R REMOVABLE	*SEE CORE SYSTEM SECTION	*SEE MASTER KEY SYSTEMS SECTION	CL

EXAMPLES:

CL43-AM1-607X-25-01-C18-JZ3-R-K072-91-WA-CL
CAM LOCK WITH CAM TYPE C18, NUT INSTALLATION, CL43 CYLINDER CORE MODEL, 25mm CYLINDER HOUSING LENGTH, NICKEL FINISH, 90 DEGREE CLOCKWISE SWING ANGLE. FROM Z TO 3 POSITION, GROUP 1 MASTER KEY SYSTEM, FOLDING KEYS, WA KEYWAY

CL13-A-607U-25-01-C18-JZ3-R-K018-91-CC-CL
CAM LOCK WITH CAM TYPE C18, U-CLIP INSTALLATION, CL13 CYLINDER CORE MODEL, 25mm CYLINDER HOUSING LENGTH, NICKEL FINISH, 90 DEGREE CLOCKWISE SWING ANGLE. FROM Z TO 3 POSITION, NON-MASTER KEY SYSTEM, KEYS WITH CAP, CC KEYWAY



METAL FURNITURE LOCKS



The Lock from Lock Experts

4-IN-1 SYSTEM

2000 KEY CHANGES

MASTER KEY SYSTEM

REMOVABLE CORE SYSTEM

KEY IS OPTIONAL



LOCKER

A-607X-30-01-C_-JZ3-R

A-607X-30-01-C_-JZ6-R

A-607U-30-01-C_-JZ3-R

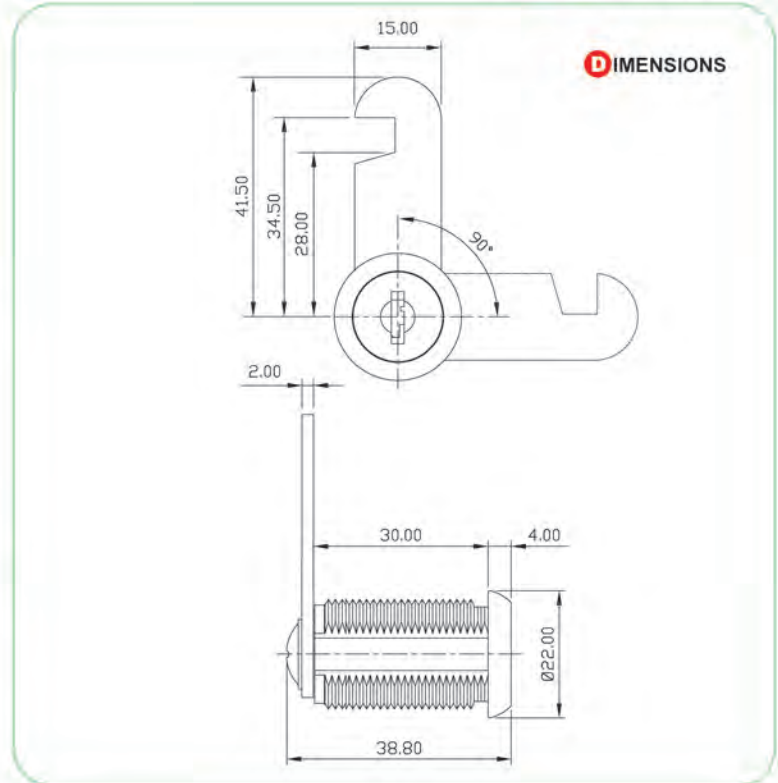
A-607U-30-01-C_-JZ6-R

SPECIFICATIONS

- 30mm CAM LOCK WITH CAM TYPE C18
- 90° ROTARY CAM MOVEMENT
- KEY REMOVABLE IN LOCKED & UNLOCKED POSITIONS
- AVAILABLE IN MASTER KEY & NON-MASTER KEY SYSTEMS
- REMOVABLE CORE SYSTEM
- ZINC ALLOY DIE CAST

SET INCLUDES

- 1 LOCK HOUSING
- 1 CYLINDER CORE
- 2 KEYS
- 1 HEXAGONAL NUT OR 1 CLIP
- 1 SCREW
- 1 WASHER
- 1 CAM TYPE



ORDERING DETAILS

CORE SYSTEM	MASTER KEY SYSTEM	MASTER GROUP	MODEL	CYLINDER HOUSING LENGTH	FINISH	CAM / LEVER NO.	TURNING DIRECTION
*SEE CORE SYSTEM SECTION	A NON-MASTER AM MASTER AK MAIN MASTER AG GRAND MASTER *SEE MASTER KEY SYSTEMS SECTION	1-50	607X NUT INSTALLATION 607U U-CLIP INSTALLTION	30mm	01 NICKEL 02 BRASS 03 CHROME	C___ *SEE CAM / LEVER SECTION FOR 2.5mm THICKNESS, USE CT___	J CLOCKWISE K COUNTERCLOCKWISE

FROM LOCKED POSITION	TO UNLOCKED POSITION	REMOVAL OF KEY WHEN UNLOCKED	KEY SHAPE	KEYWAY	LOGO
1-Z X 9 8 7 6	Y Z 1 2 3 4 5	R. REMOVABLE	*SEE CORE SYSTEM SECTION	*SEE MASTER KEY SYSTEMS SECTION	CL

EXAMPLES:

CL13-A-607X-30-01-C18-JZ3-R-K018-91-CC-CL
CAM LOCK WITH CAM TYPE C18, NUT INSTALLATION, CL13 CYLINDER CORE MODEL, 30mm CYLINDER HOUSING LENGTH, NICKEL FINISH, 90 DEGREE CLOCKWISE SWING ANGLE, FROM Z TO 3 POSITION, NON-MASTER KEY SYSTEM, KEYS WITH CAP, CC KEYWAY

CL43-AM1-607U-30-01-C18-JZ3-R-K072-91-WA-CL
CAM LOCK WITH CAM TYPE C18, U-CLIP INSTALLATION, CL43 CYLINDER CORE MODEL, 30mm CYLINDER HOUSING LENGTH, NICKEL FINISH, 90 DEGREE CLOCKWISE SWING ANGLE, FROM Z TO 3 POSITION, GROUP 1 MASTER KEY SYSTEM, FOLDING KEYS, WA KEYWAY



The Lock from Lock Experts

METAL FURNITURE LOCKS

4-IN-1 SYSTEM

2000 KEY CHANGES

MASTER KEY SYSTEM

REMOVABLE CORE SYSTEM

KEY IS OPTIONAL

SYSTEM



LOCKER

A-607(03)X-20-01-C_-J9Z-R

A-607(03)X-20-01-C_-J93-R

A-607(03)U-20-01-C_-J9Z-R

A-607(03)U-20-01-C_-J93-R



NUT

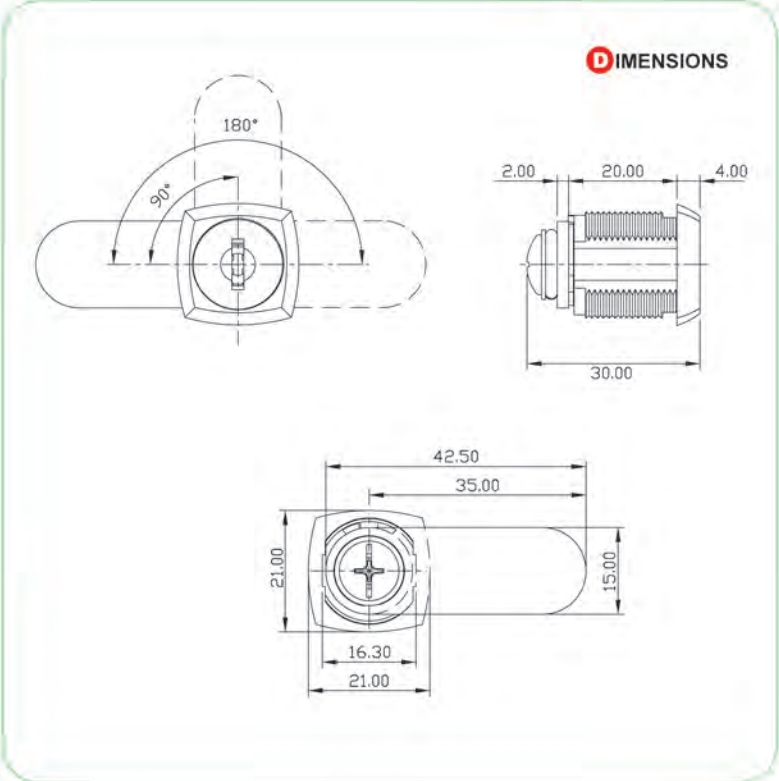
U-CLIP

SPECIFICATIONS

- 20mm CAM LOCK
- 90° OR 180° ROTARY CAM MOVEMENT
- KEY REMOVABLE IN LOCKED & UNLOCKED POSITIONS
- AVAILABLE IN MASTER KEY & NON-MASTER KEY SYSTEMS
- REMOVABLE CORE SYSTEM
- ZINC ALLOY DIE CAST

SET INCLUDES

- 1 LOCK HOUSING
- 1 CYLINDER CORE
- 2 KEYS
- 1 HEXAGONAL NUT OR 1 CLIP
- 1 SCREW
- 1 WASHER
- 1 CAM TYPE



ORDERING DETAILS

CORE SYSTEM	MASTER KEY SYSTEM	MASTER GROUP	MODEL	CYLINDER HOUSING LENGTH	FINISH	CAM / LEVER NO.	TURNING DIRECTION
*SEE CORE SYSTEM SECTION	A NON-MASTER AM MASTER AK MAIN MASTER AG GRAND MASTER *SEE MASTER KEY SYSTEMS SECTION	1-50	607(03)X NUT INSTALLATION 607(03)U U-CLIP INSTALLTION	20mm	01 NICKEL 03 CHROME	C_ _ _ *SEE CAM / LEVER SECTION FOR 2.5mm THICKNESS, USE CT_ _ _	J CLOCKWISE K COUNTERCLOCKWISE

FROM LOCKED POSITION	TO UNLOCKED POSITION	REMOVAL OF KEY WHEN UNLOCKED	KEY SHAPE	KEYWAY	LOGO
1-Z X Y Z 1 2 3 4 5 6 7 8 9	1-Z	R REMOVABLE	*SEE CORE SYSTEM SECTION	*SEE MASTER KEY SYSTEMS SECTION	CL

EXAMPLES:
CL23-A-607(03)X-20-01-C01-J93-R-K057-91-FA-CL
 CAM LOCK WITH CAM TYPE C01, NUT INSTALLATION, CL23 CYLINDER CORE MODEL, 20mm CYLINDER HOUSING LENGTH, NICKEL FINISH, 180 DEGREE CLOCKWISE SWING ANGLE, FROM 9 TO 3 POSITION, NON-MASTER KEY SYSTEM, KEYS WITH CAP, FA KEYWAY
CL43-AM1-607(03)U-20-03-C01-J93-R-K071-91-WA-CL
 CAM LOCK WITH CAM TYPE C01, U-CLIP INSTALLATION, CL43 CYLINDER CORE MODEL, 20mm CYLINDER HOUSING LENGTH, CHROME FINISH, 180 DEGREE CLOCKWISE SWING ANGLE, FROM 9 TO 3 POSITION, GROUP 1 MASTER KEY SYSTEM, KEYS WITH CAP, WA KEYWAY



METAL FURNITURE LOCKS



The Lock from Lock Experts

4-IN-1 SYSTEM

2000 KEY CHANGES

MASTER KEY SYSTEM

REMOVABLE CORE SYSTEM

KEY IS OPTIONAL



LOCKER

A-541U-20-01-C_-JZ6-R



U-CLIP

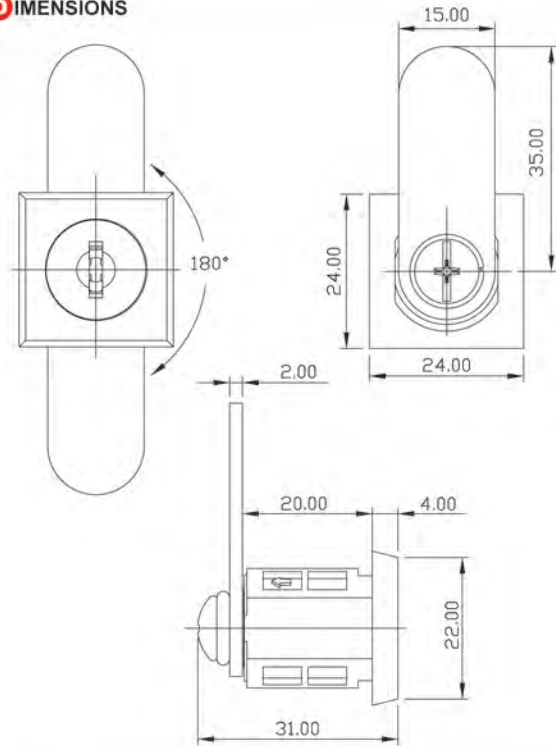
SPECIFICATIONS

- MULTI-DRAWER LOCK
- 180° ROTARY CAM MOVEMENT
- KEY REMOVABLE IN LOCKED & UNLOCKED POSITIONS
- AVAILABLE IN MASTER KEY & NON-MASTER KEY SYSTEMS
- REMOVABLE CORE SYSTEM
- ZINC ALLOY DIE CAST

SET INCLUDES

- 1 LOCK HOUSING
- 1 CYLINDER CORE
- 2 KEYS
- 1 CLIP
- 1 CAM TYPE

DIMENSIONS



ORDERING DETAILS

CORE SYSTEM	MASTER KEY SYSTEM	MASTER GROUP	MODEL	CYLINDER HOUSING LENGTH	FINISH	CAM / LEVER NO.	TURNING DIRECTION
*SEE CORE SYSTEM SECTION	A NON-MASTER AM MASTER AK MAIN MASTER AG GRAND MASTER *SEE MASTER KEY SYSTEMS SECTION	1-50	541U U-CLIP INSTALLATION	20mm	01 NICKEL 03 CHROME	C_... *SEE CAM / LEVER SECTION FOR 2.5mm THICKNESS, USE CT_...	J CLOCKWISE K COUNTERCLOCKWISE
FROM LOCKED POSITION	TO UNLOCKED POSITION	REMOVAL OF KEY WHEN UNLOCKED	KEY SHAPE	KEYWAY	LOGO		
1-Z X 9 8 7 6	Y Z 1 2 3 4 5	R REMOVABLE	*SEE CORE SYSTEM SECTION	*SEE MASTER KEY SYSTEMS SECTION	CL		

EXAMPLES:
 CL13-AM1-541U-20-03-C01-KZ6-R-K034-91-CC-CL
 CAM LOCK WITH CAM TYPE C01, U-CLIP INSTALLATION, CL13 CYLINDER CORE MODEL, 20mm CYLINDER HOUSING LENGTH, CHROME FINISH, 180 DEGREE COUNTERCLOCKWISE SWING ANGLE, FROM Z TO 6 POSITION, GROUP 1 MASTER KEY SYSTEM, FOLDING KEYS, CC KEYWAY



The Lock from Lock Experts

METAL FURNITURE LOCKS

4-IN-1 SYSTEM

2000 KEY CHANGES

MASTER KEY SYSTEM

REMOVABLE CORE SYSTEM

KEY IS OPTIONAL



U-CLIP



DESK

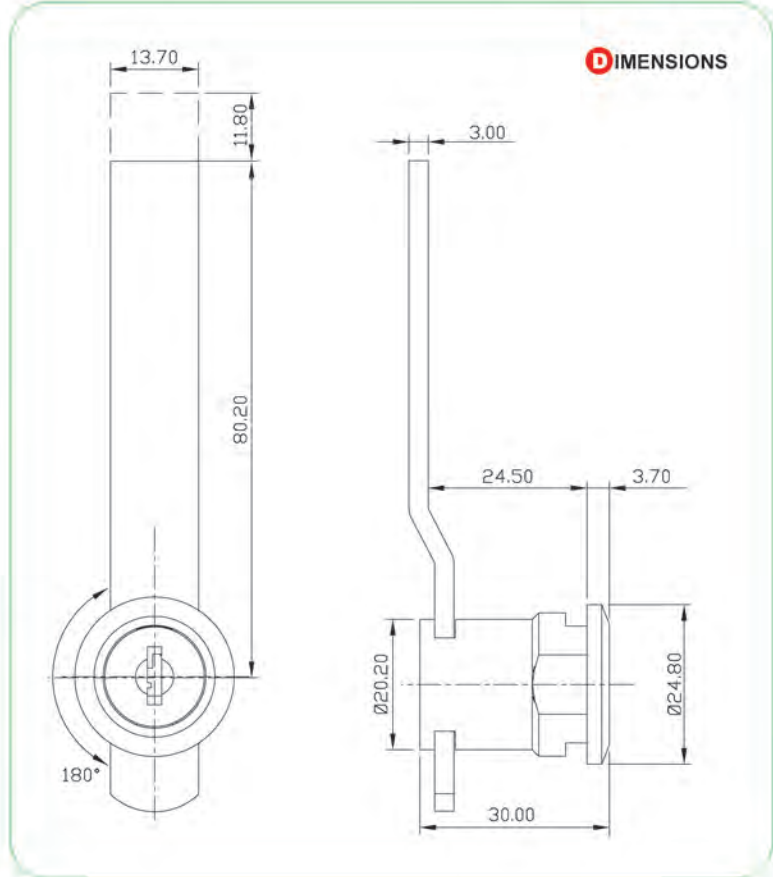
A-501U-01-G007

SPECIFICATIONS

- DESK DRAWER BOLT LOCK
- CLICK ACTION MECHANISM
- KEY REMOVABLE IN LOCKED & UNLOCKED POSITIONS
- GALVANIZED STEEL CLIP, LEVER
- AVAILABLE IN MASTER KEY & NON-MASTER KEY SYSTEMS
- REMOVABLE CORE SYSTEM
- ZINC ALLOY DIE CAST

SET INCLUDES

- 1 LOCK HOUSING
- 1 CLIP
- 1 CYLINDER CORE
- 1 TYPE G007 LEVER
- 2 KEYS



ORDERING DETAILS

CORE SYSTEM	MASTER KEY SYSTEM	MASTER GROUP	MODEL	FINISH	CAM / LEVER NO.	KEY SHAPE	KEYWAY	LOGO
*SEE CORE SYSTEM SECTION	A NON-MASTER AM MASTER AK MAIN MASTER AG GRAND MASTER *SEE MASTER KEY SYSTEMS SECTION	1-50	501U U-CLIP INSTALLATION	01 NICKEL 03 CHROME	G007	*SEE CORE SYSTEM SECTION	*SEE MASTER KEY SYSTEMS SECTION	CL

EXAMPLES:

CL13-AM1-501U-03-G007-K034-91-CC-CL

DESK DRAWER BOLT LOCK, U-CLIP INSTALLATION, CL13 CYLINDER CORE MODEL, CHROME FINISH, GROUP 1 MASTER KEY SYSTEM, FOLDING KEYS, CC KEYWAY

CL23-A-501U-03-G007-K057-91-FA-CL

DESK DRAWER BOLT LOCK, U-CLIP INSTALLATION, CL23 CYLINDER CORE MODEL, CHROME FINISH, NON-MASTER KEY SYSTEM, KEYS WITH CAP, FA KEYWAY



METAL FURNITURE LOCKS

4-IN-1 SYSTEM

2000 KEY CHANGES

MASTER KEY SYSTEM

REMOVABLE CORE SYSTEM

KEY IS OPTIONAL



The Lock from Lock Experts



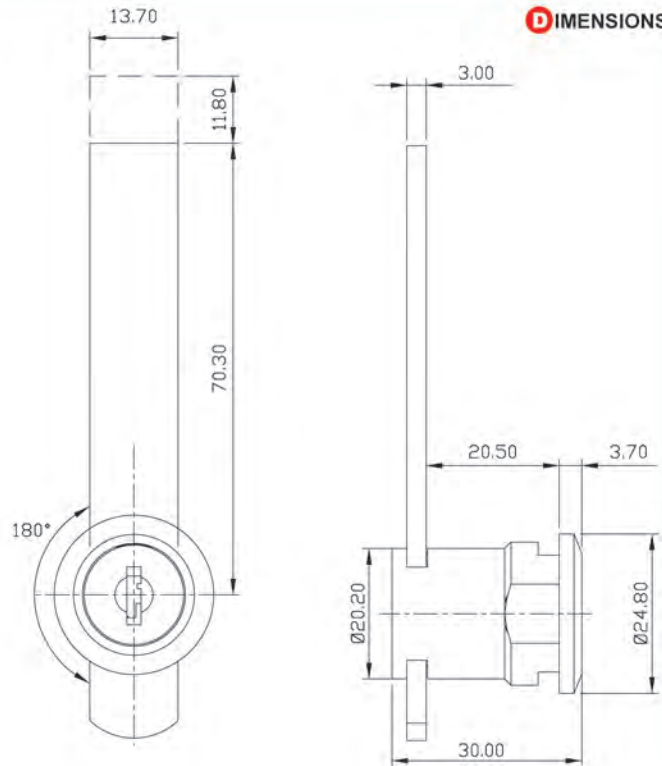
DESK

A-501U-01-G008



U-CLIP

DIMENSIONS



SPECIFICATIONS

- DESK DRAWER BOLT LOCK
- CLICK ACTION MECHANISM
- KEY REMOVABLE IN LOCKED & UNLOCKED POSITIONS
- GALVANIZED STEEL CLIP, LEVER
- AVAILABLE IN MASTER KEY & NON-MASTER KEY SYSTEMS
- REMOVABLE CORE SYSTEM
- ZINC ALLOY DIE CAST

SET INCLUDES

- 1 LOCK HOUSING
- 1 CYLINDER CORE
- 2 KEYS
- 1 CLIP
- 1 TYPE G008 LEVER

ORDERING DETAILS

CORE SYSTEM	MASTER KEY SYSTEM	MASTER GROUP	MODEL	FINISH	CAM / LEVER NO.	KEY SHAPE	KEYWAY	LOGO
*SEE CORE SYSTEM SECTION	A NON-MASTER AM MASTER AK MAIN MASTER AG GRAND MASTER *SEE MASTER KEY SYSTEMS SECTION	1-50	501U U-CLIP INSTALLATION	01 NICKEL 03 CHROME	G008	*SEE CORE SYSTEM SECTION	*SEE MASTER KEY SYSTEMS SECTION	CL

EXAMPLES:

CL13-AM1-501U-03-G008-K034-91-CC-CL

DESK DRAWER BOLT LOCK, U-CLIP INSTALLATION, CL13 CYLINDER CORE MODEL, CHROME FINISH, GROUP 1 MASTER KEY SYSTEM, FOLDING KEYS, CC KEYWAY

CL43-A-501U-03-G008-K071-91-WA-CL

DESK DRAWER BOLT LOCK, U-CLIP INSTALLATION, CL43 CYLINDER CORE MODEL, CHROME FINISH, NON-MASTER KEY SYSTEM, KEYS WITH CAP, WA KEYWAY



The Lock from Lock Experts

METAL FURNITURE LOCKS

4-IN-1 SYSTEM

2000 KEY CHANGES

MASTER KEY SYSTEM

REMOVABLE CORE SYSTEM

KEY IS OPTIONAL



DESK

A-501U-01-G009



U-CLIP

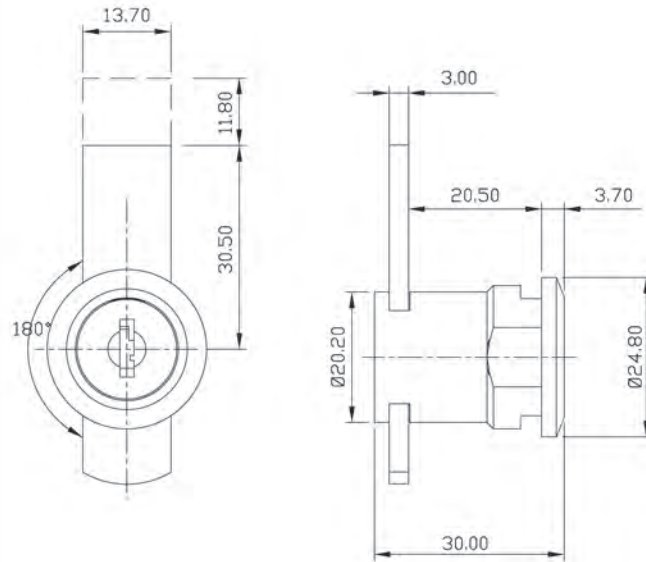
SPECIFICATIONS

- DESK DRAWER BOLT LOCK
- CLICK ACTION MECHANISM
- KEY REMOVABLE IN LOCKED & UNLOCKED POSITIONS
- GALVANIZED STEEL CLIP, LEVER
- AVAILABLE IN MASTER KEY & NON-MASTER KEY SYSTEMS
- REMOVABLE CORE SYSTEM
- ZINC ALLOY DIE CAST

SET INCLUDES

- 1 LOCK HOUSING
- 1 CLIP
- 1 CYLINDER CORE
- 1 TYPE G009 LEVER
- 2 KEYS

DIMENSIONS



ORDERING DETAILS

CORE SYSTEM	MASTER KEY SYSTEM	MASTER GROUP	MODEL	FINISH	CAM / LEVER NO.	KEY SHAPE	KEYWAY	LOGO
*SEE CORE SYSTEM SECTION	A NON-MASTER AM MASTER AK MAIN MASTER AG GRAND MASTER *SEE MASTER KEY SYSTEMS SECTION	1-50	501U U-CLIP INSTALLATION	01 NICKEL 03 CHROME	G009	*SEE CORE SYSTEM SECTION	*SEE MASTER KEY SYSTEMS SECTION	CL

EXAMPLES:

CL43-AM1-501U-03-G009-K072-91-WA-CL

DESK DRAWER BOLT LOCK, U-CLIP INSTALLATION, CL43 CYLINDER CORE MODEL, CHROME FINISH, GROUP 1 MASTER KEY SYSTEM, FOLDING KEYS, WA KEYWAY

CL13-A-501U-03-G009-K018-91-CC-CL

DESK DRAWER BOLT LOCK, U-CLIP INSTALLATION, CL13 CYLINDER CORE MODEL, CHROME FINISH, NON-MASTER KEY SYSTEM, KEYS WITH CAP, CC KEYWAY



METAL FURNITURE LOCKS



The Lock from Lock Experts

4-IN-1 SYSTEM

2000 KEY CHANGES

MASTER KEY SYSTEM

REMOVABLE CORE SYSTEM

KEY IS OPTIONAL



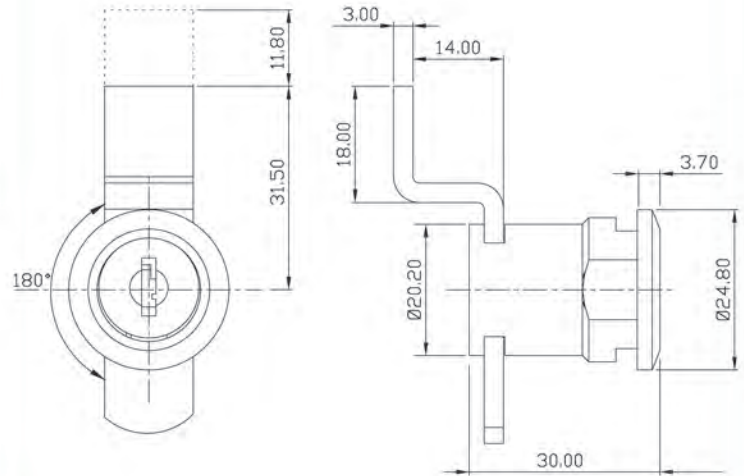
DESK

A-501U-01-G212



U-CLIP

DIMENSIONS



SPECIFICATIONS

- DESK DRAWER BOLT LOCK
- CLICK ACTION MECHANISM
- KEY REMOVABLE IN LOCKED & UNLOCKED POSITIONS
- GALVANIZED STEEL CLIP, LEVER
- AVAILABLE IN MASTER KEY & NON-MASTER KEY SYSTEMS
- REMOVABLE CORE SYSTEM
- ZINC ALLOY DIE CAST

SET INCLUDES

- 1 LOCK HOUSING
- 1 CLIP
- 1 CYLINDER CORE
- 1 TYPE G212 LEVER
- 2 KEYS

ORDERING DETAILS

CORE SYSTEM	MASTER KEY SYSTEM	MASTER GROUP	MODEL	FINISH	CAM / LEVER NO.	KEY SHAPE	KEYWAY	LOGO
*SEE CORE SYSTEM SECTION	A NON-MASTER AM MASTER AK MAIN MASTER AG GRAND MASTER *SEE MASTER KEY SYSTEMS SECTION	1-50	501U U-CLIP INSTALLATION	01 NICKEL 03 CHROME	G212	*SEE CORE SYSTEM SECTION	*SEE MASTER KEY SYSTEMS SECTION	CL

EXAMPLES:

CL43-AM1-501U-03-G212-K072-91-WA-CL

DESK DRAWER BOLT LOCK, U-CLIP INSTALLATION, CL43 CYLINDER CORE MODEL, CHROME FINISH, GROUP 1 MASTER KEY SYSTEM, FOLDING KEYS, WA KEYWAY

CL13-A-501U-03-G212-K018-91-CC-CL

DESK DRAWER BOLT LOCK, U-CLIP INSTALLATION, CL13 CYLINDER CORE MODEL, CHROME FINISH, NON-MASTER KEY SYSTEM, KEYS WITH CAP, CC KEYWAY



The Lock from Lock Experts

METAL FURNITURE LOCKS

4-IN-1
SYSTEM

2000
KEY CHANGES

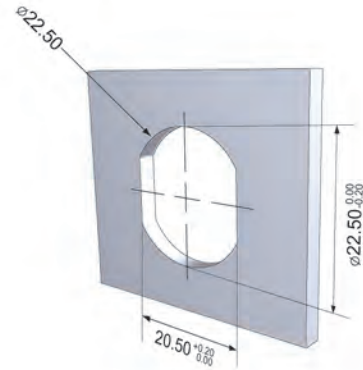
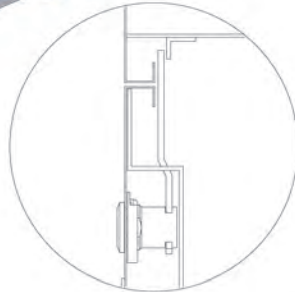
MASTER
KEY SYSTEM

REMOVABLE
CORE SYSTEM

KEY
IS OPTIONAL

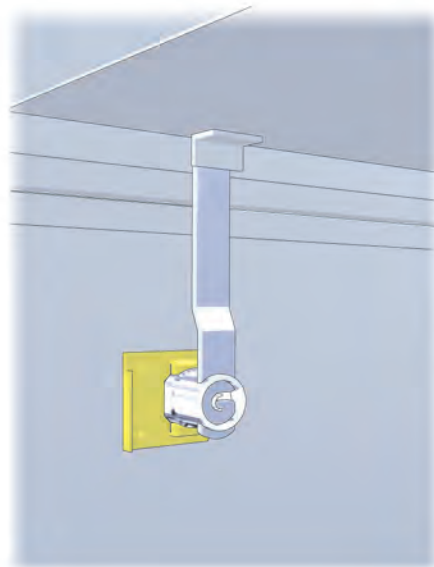
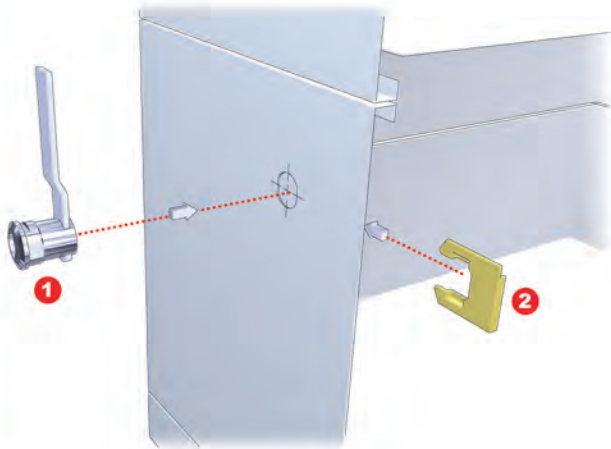


DESK



D RILL HOLE

FIXING DETAILS





METAL FURNITURE LOCKS

4-IN-1 SYSTEM

2000 KEY CHANGES

MASTER KEY SYSTEM

REMOVABLE CORE SYSTEM

KEY IS OPTIONAL



The Lock from Lock Experts



SLIDING DOOR CABINET

A-561-04



QUICK-FIX

A-561-11



QUICK-FIX

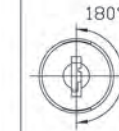
QUICK-FIX

SPECIFICATIONS

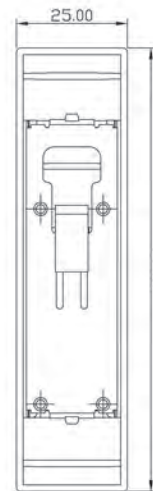
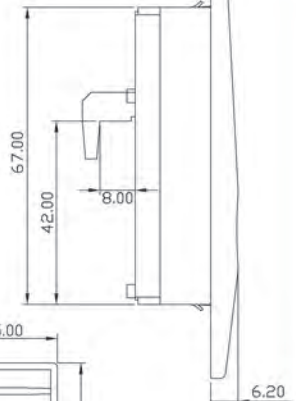
- QUICK-FIX LOCK
- SLIDING DOOR LOCK WITH HOOK
- ZINC ALLOY DIE CAST
- KEY REMOVABLE IN LOCKED & UNLOCKED POSITIONS
- PUSH-IN FIXING
- 180° KEY ROTATION
- AVAILABLE IN MASTER KEY & NON-MASTER KEY SYSTEMS
- REMOVABLE CORE SYSTEM

SET INCLUDES

- 1 HOUSING
- 1 CYLINDER CORE
- 2 KEYS



180°



DIMENSIONS

ORDERING DETAILS

CORE SYSTEM	MASTER KEY SYSTEM	MASTER GROUP	MODEL	FINISH	KEY SHAPE	KEYWAY	LOGO
*SEE CORE SYSTEM SECTION	A NON-MASTER AM MASTER AK MAIN MASTER AG GRAND MASTER *SEE MASTER KEY SYSTEMS SECTION	1-50	561	04 BLACK E.D.P. 11 BRONZE	*SEE CORE SYSTEM SECTION	*SEE MASTER KEY SYSTEMS SECTION	CL

EXAMPLES:

CL13-AM1-561-04-K034-91-CC-CL
SLIDING DOOR LOCK WITH HOOK, BLACK FINISH, CL13 CYLINDER CORE MODEL, GROUP 1 MASTER KEY SYSTEM, FOLDING KEYS, CC KEYWAY

CL33-A-561-11-K056-91-GA-CL
SLIDING DOOR LOCK WITH HOOK, BRONZE FINISH, CL33 CYLINDER CORE MODEL, NON-MASTER KEY SYSTEM, FOLDING KEYS, GA KEYWAY



R-038



METAL FURNITURE LOCKS



The Lock from Lock Experts

4-IN-1 SYSTEM

2000 KEY CHANGES

MASTER KEY SYSTEM

REMOVABLE CORE SYSTEM

KEY IS OPTIONAL



SLIDING DOOR CABINET

A-561H-04



A-561H-11



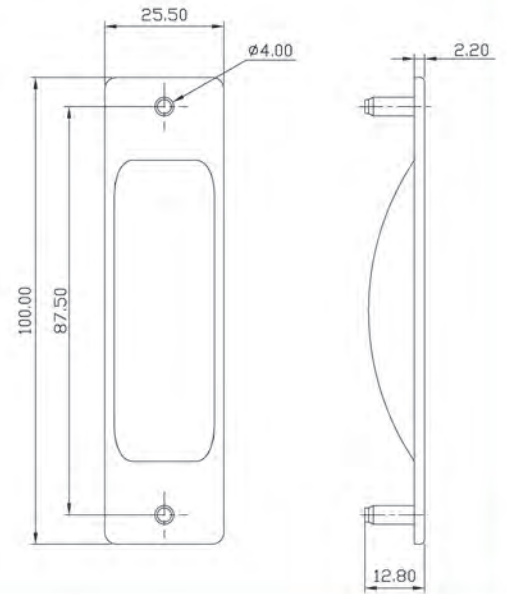
SPECIFICATIONS

- SLIDING DOOR LOCK HANDLE
- ZINC ALLOY DIE CAST
- TO BE USED WITH A-561

SET INCLUDES

- 2 HANDLES
- 4 WASHERS

DIMENSIONS



ORDERING DETAILS

MASTER KEY SYSTEM	MODEL	FINISH
A NON-MASTER	561H	04 BLACK E.D.P. 11 BRONZE
*SEE MASTER KEY SYSTEMS SECTION		

EXAMPLES:

A-561H-04
SLIDING DOOR LOCK HANDLE, BLACK FINISH, TO BE USED WITH A-561

A-561H-11
SLIDING DOOR LOCK HANDLE, BRONZE FINISH, TO BE USED WITH A-561



METAL FURNITURE LOCKS



The Lock from Lock Experts

4-IN-1
SYSTEM

2000
KEY CHANGES

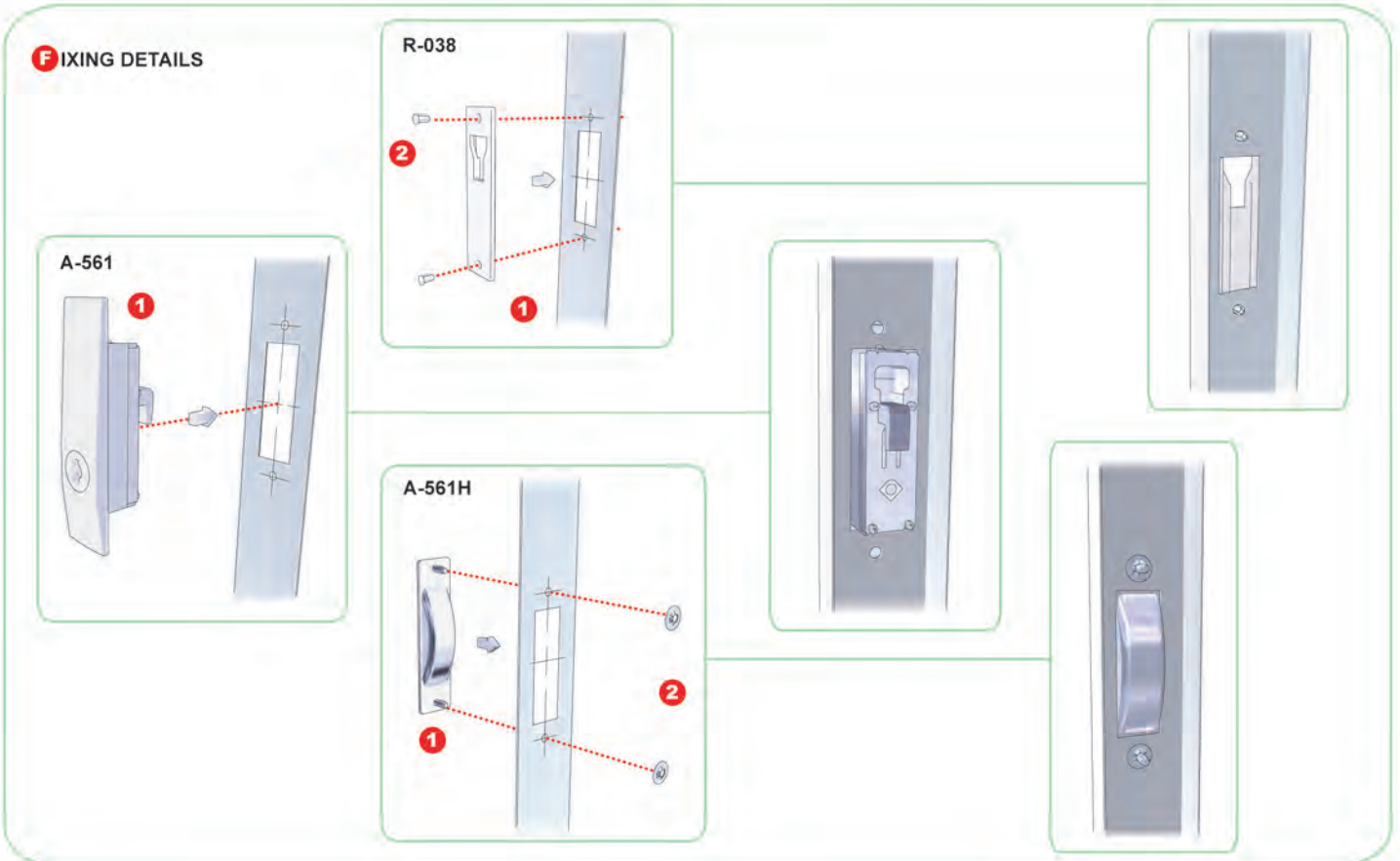
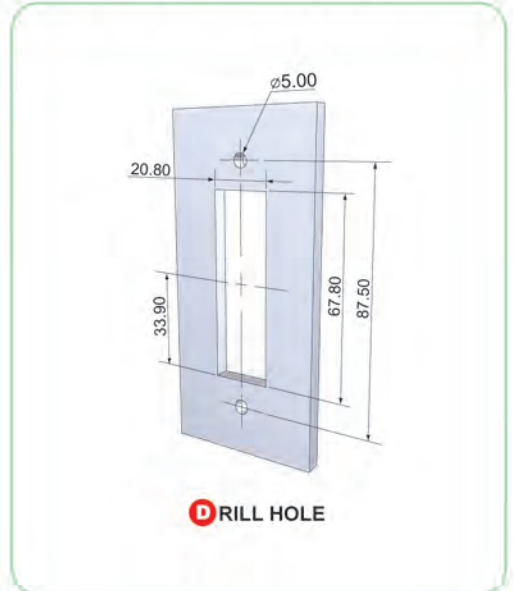
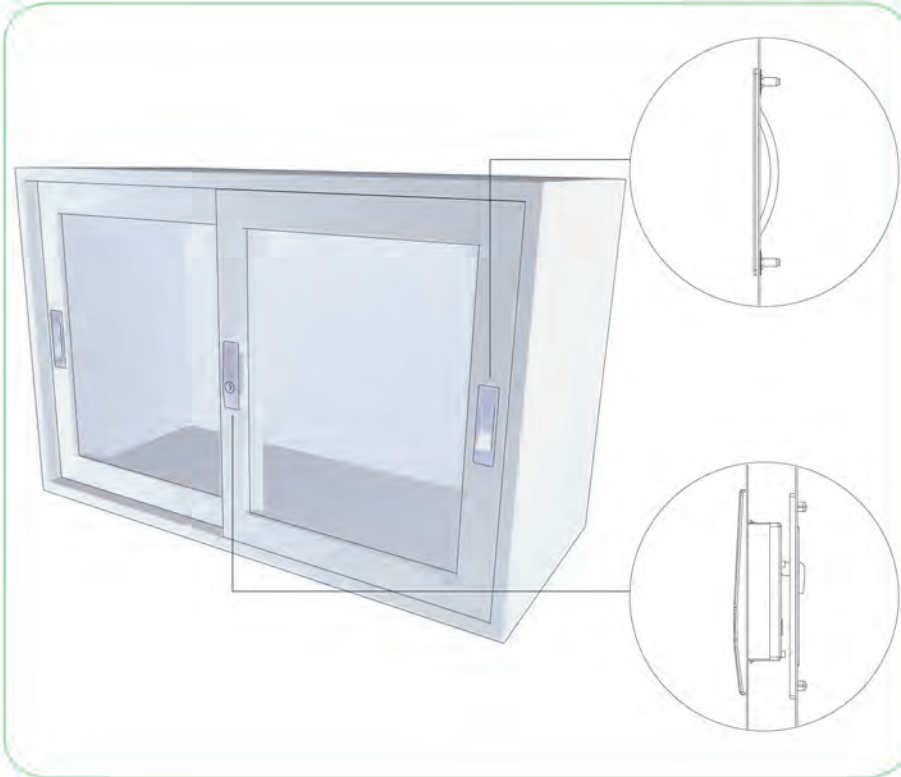
MASTER
KEY SYSTEM

REMOVABLE
CORE SYSTEM

KEY
IS OPTIONAL



SLIDING DOOR CABINET





The Lock from Lock Experts

METAL FURNITURE LOCKS

- 4-IN-1 SYSTEM
- 2000 KEY CHANGES
- MASTER KEY SYSTEM
- REMOVABLE CORE SYSTEM
- KEY IS OPTIONAL



2-DRAWER PEDESTAL

A-607X-20-01-C24-JZ6-R

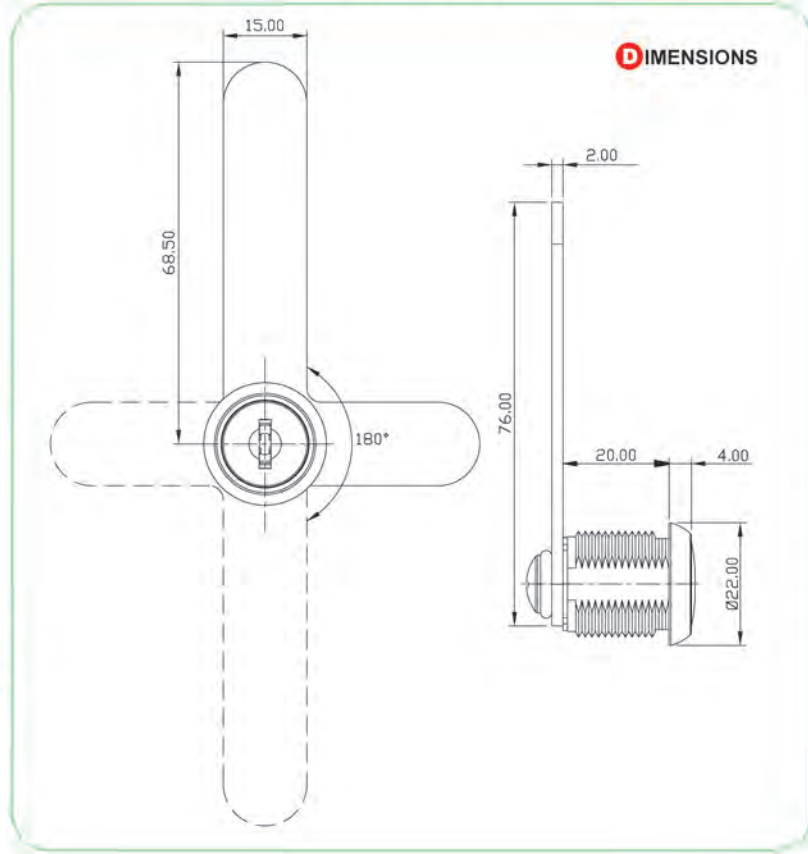
A-607U-20-01-C24-JZ6-R

SPECIFICATIONS

- 20mm 2-DRAWER PEDESTAL LOCK WITH CAM TYPE C24
- 180° ROTARY CAM MOVEMENT
- KEY REMOVABLE IN LOCKED & UNLOCKED POSITIONS
- AVAILABLE IN MASTER KEY & NON-MASTER KEY SYSTEMS
- REMOVABLE CORE SYSTEM
- ZINC ALLOY DIE CAST

SET INCLUDES

- 1 LOCK HOUSING
- 1 SCREW
- 1 CYLINDER CORE
- 1 WASHER
- 2 KEYS
- 1 TYPE C24 CAM
- 1 HEXAGONAL NUT OR 1 CLIP



ORDERING DETAILS

CORE SYSTEM	MASTER KEY SYSTEM	MASTER GROUP	MODEL	CYLINDER HOUSING LENGTH	FINISH	CAM / LEVER NO.	TURNING DIRECTION
*SEE CORE SYSTEM SECTION	A NON-MASTER AM MASTER AK MAIN MASTER AG GRAND MASTER *SEE MASTER KEY SYSTEMS SECTION	1-50	607X NUT INSTALLATION 607U U-CLIP INSTALLTION	20mm	01 NICKEL 03 CHROME	C___ *SEE CAM / LEVER SECTION	J CLOCKWISE K COUNTERCLOCKWISE

FROM LOCKED POSITION	TO UNLOCKED POSITION	REMOVAL OF KEY WHEN UNLOCKED	KEY SHAPE	KEYWAY	LOGO
1-Z X 9 8 7 6	Y Z 1 2 3 4 5	R REMOVABLE	*SEE CORE SYSTEM SECTION	*SEE MASTER KEY SYSTEMS SECTION	CL

EXAMPLES:
 CL33-AM1-607X-20-01-C24-JZ6-R-K056-91-GA-CL
 DRAWER PEDESTAL LOCK WITH CAM TYPE C24, NUT INSTALLATION, CL33 CYLINDER CORE MODEL, 20mm CYLINDER HOUSING LENGTH, NICKEL FINISH, 180 DEGREE CLOCKWISE SWING ANGLE, FROM Z TO 6 POSITION, GROUP 1 MASTER KEY SYSTEM, FOLDING KEYS, GA KEYWAY
 CL13-AM3-607U-20-03-C24-JZ6-R-K018-91-CC-CL
 DRAWER PEDESTAL LOCK WITH CAM TYPE C24, U-CLIP INSTALLATION, CL13 CYLINDER CORE MODEL, 20mm CYLINDER HOUSING LENGTH, CHROME FINISH, 180 DEGREE CLOCKWISE SWING ANGLE, FROM Z TO 6 POSITION, GROUP 3 MASTER KEY SYSTEM, KEYS WITH CAP, CC KEYWAY



METAL FURNITURE LOCKS



The Lock from Lock Experts

- 4-IN-1 SYSTEM
- 2000 KEY CHANGES
- MASTER KEY SYSTEM
- REMOVABLE CORE SYSTEM
- KEY IS OPTIONAL



NUT
U-CLIP



2-DRAWER PEDESTAL

A-607X-20-01-C28-JZ6-R

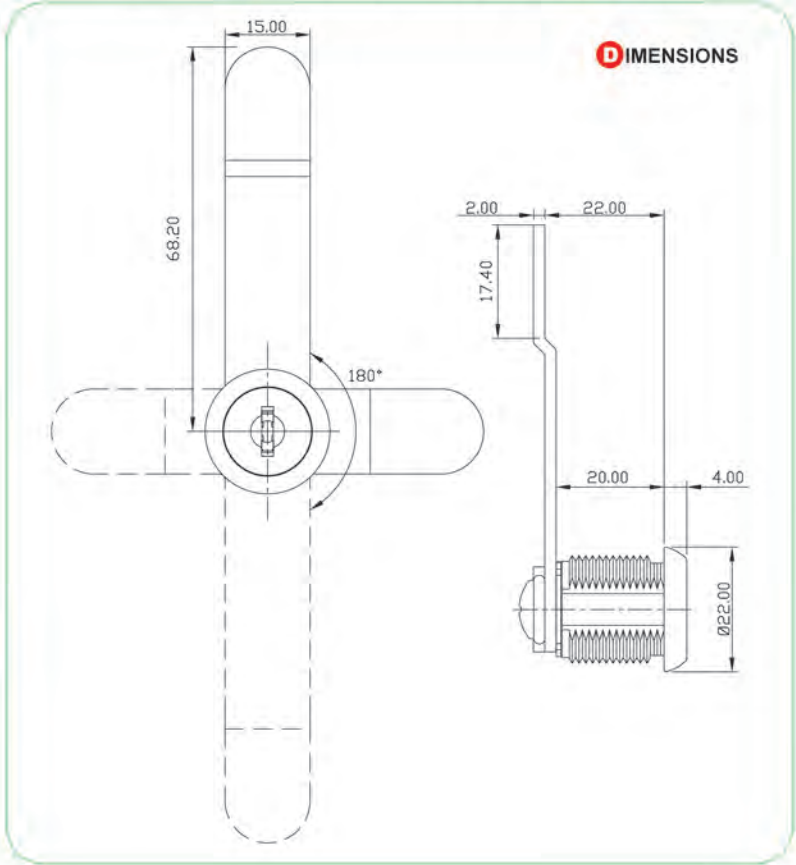
A-607U-20-01-C28-JZ6-R

SPECIFICATIONS

- 20mm 2-DRAWER PEDESTAL LOCK WITH CAM TYPE C28
- 180° ROTARY CAM MOVEMENT
- KEY REMOVABLE IN LOCKED & UNLOCKED POSITIONS
- AVAILABLE IN MASTER KEY & NON-MASTER KEY SYSTEMS
- REMOVABLE CORE SYSTEM
- ZINC ALLOY DIE CAST

SET INCLUDES

- 1 LOCK HOUSING
- 1 SCREW
- 1 CYLINDER CORE
- 1 WASHER
- 2 KEYS
- 1 TYPE C28 CAM
- 1 HEXAGONAL NUT OR 1 CLIP



ORDERING DETAILS

CORE SYSTEM	MASTER KEY SYSTEM	MASTER GROUP	MODEL	CYLINDER HOUSING LENGTH	FINISH	CAM / LEVER NO.	TURNING DIRECTION
*SEE CORE SYSTEM SECTION	A NON-MASTER AM MASTER AK MAIN MASTER AG GRAND MASTER *SEE MASTER KEY SYSTEMS SECTION	1-50	607X NUT INSTALLATION 607U U-CLIP INSTALLTION	20mm	01 NICKEL 03 CHROME	C___ *SEE CAM / LEVER SECTION	J CLOCKWISE K COUNTERCLOCKWISE
FROM LOCKED POSITION	TO UNLOCKED POSITION	REMOVAL OF KEY WHEN UNLOCKED	KEY SHAPE	KEYWAY	LOGO	EXAMPLES:	
1-Z X 9 8 7 6	Y Z 1 2 3 4 5 6	R REMOVABLE	*SEE CORE SYSTEM SECTION	*SEE MASTER KEY SYSTEMS SECTION	CL	<p>CL33-AM1-607X-20-01-C28-JZ6-R-K056-91-GA-CL DRAWER PEDESTAL LOCK WITH CAM TYPE C28, NUT INSTALLATION, CL33 CYLINDER CORE MODEL, 20mm CYLINDER HOUSING LENGTH, NICKEL FINISH, 180 DEGREE CLOCKWISE SWING ANGLE, FROM Z TO 6 POSITION, GROUP 1 MASTER KEY SYSTEM, FOLDING KEYS, GA KEYWAY</p> <p>CL13-AM3-607U-20-03-C28-JZ6-R-K018-91-CC-CL DRAWER PEDESTAL LOCK WITH CAM TYPE C28, U-CLIP INSTALLATION, CL13 CYLINDER CORE MODEL, 20mm CYLINDER HOUSING LENGTH, CHROME FINISH, 180 DEGREE CLOCKWISE SWING ANGLE, FROM Z TO 6 POSITION, GROUP 3 MASTER KEY SYSTEM, KEYS WITH CAP, CC KEYWAY</p>	



The Lock from Lock Experts

METAL FURNITURE LOCKS

4-IN-1 SYSTEM

2000 KEY CHANGES

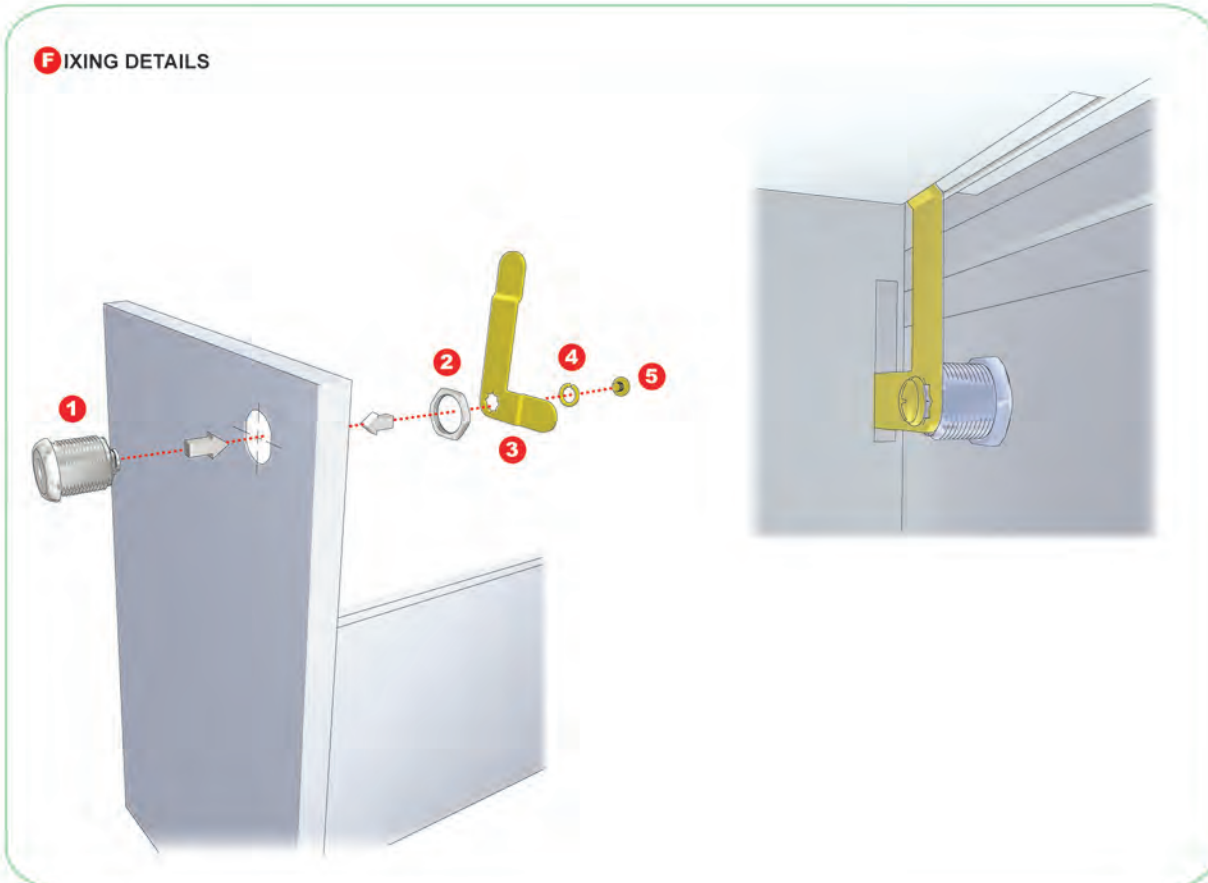
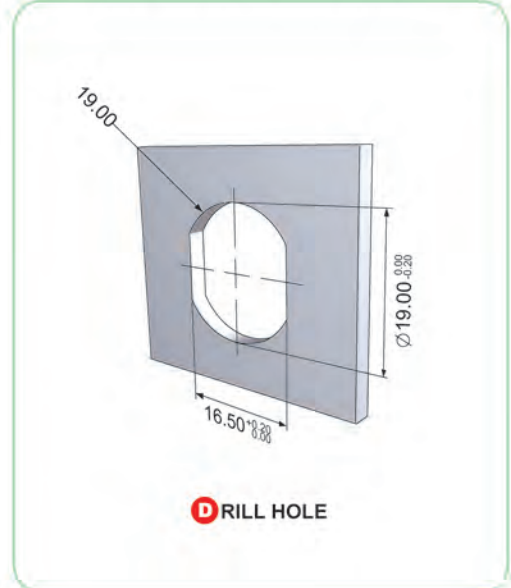
MASTER KEY SYSTEM

REMOVABLE CORE SYSTEM

KEY IS OPTIONAL



2-DRAWER PEDESTAL





METAL FURNITURE LOCKS



The Lock from Lock Experts

4-IN-1 SYSTEM

2000 KEY CHANGES

MASTER KEY SYSTEM

REMOVABLE CORE SYSTEM

KEY IS OPTIONAL



NUT
U-CLIP



2-DRAWER PEDESTAL

A-607X-20-01-C30-JZ6-R

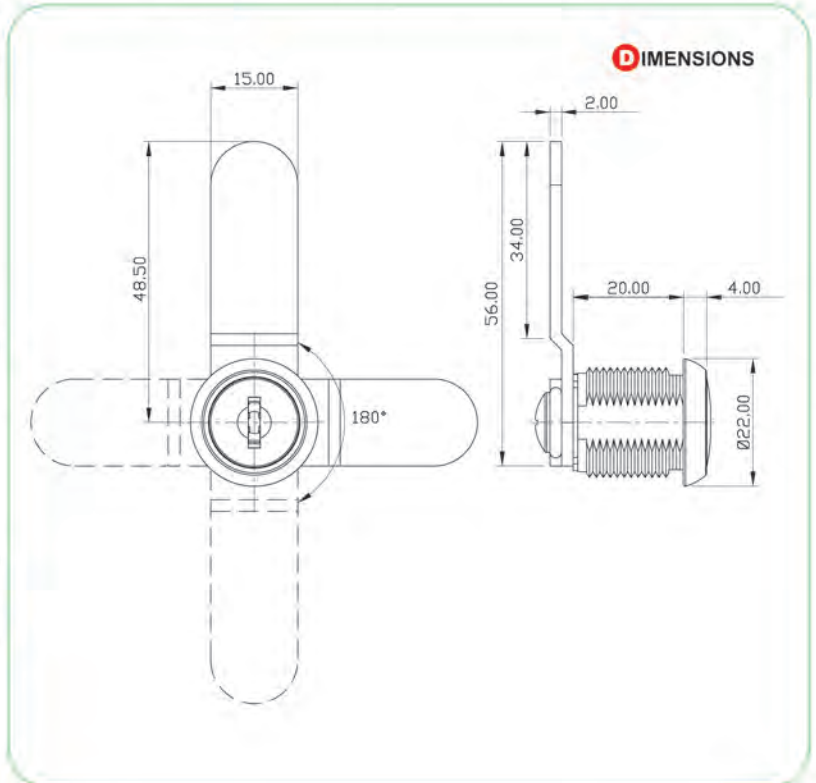
A-607U-20-01-C30-JZ6-R

SPECIFICATIONS

- 20mm 2-DRAWER PEDESTAL LOCK WITH CAM TYPE C30
- 180° ROTARY CAM MOVEMENT
- KEY REMOVABLE IN LOCKED & UNLOCKED POSITIONS
- AVAILABLE IN MASTER KEY & NON-MASTER KEY SYSTEMS
- REMOVABLE CORE SYSTEM
- ZINC ALLOY DIE CAST

SET INCLUDES

- 1 LOCK HOUSING
- 1 CYLINDER CORE
- 2 KEYS
- 1 HEXAGONAL NUT OR 1 CLIP
- 1 SCREW
- 1 WASHER
- 1 TYPE C30 CAM



ORDERING DETAILS

CORE SYSTEM	MASTER KEY SYSTEM	MASTER GROUP	MODEL	CYLINDER HOUSING LENGTH	FINISH	CAM / LEVER NO.	TURNING DIRECTION
*SEE CORE SYSTEM SECTION	A NON-MASTER AM MASTER AK MAIN MASTER AG GRAND MASTER *SEE MASTER KEY SYSTEMS SECTION	1-50	607X NUT INSTALLATION 607U U-CLIP INSTALLATION	20mm	01 NICKEL 03 CHROME	C___ *SEE CAM / LEVER SECTION	J CLOCKWISE K COUNTERCLOCKWISE

FROM LOCKED POSITION	TO UNLOCKED POSITION	REMOVAL OF KEY WHEN UNLOCKED	KEY SHAPE	KEYWAY	LOGO
1-Z X Y Z 1 2 9 8 7 6 5 3 4	1-Z	R REMOVABLE	*SEE CORE SYSTEM SECTION	*SEE MASTER KEY SYSTEMS SECTION	CL

EXAMPLES:
CL33-AM1-607X-20-01-C30-JZ6-R-K056-91-GA-CL
 DRAWER PEDESTAL LOCK WITH CAM TYPE C30, NUT INSTALLATION, CL33 CYLINDER CORE MODEL, 20mm CYLINDER HOUSING LENGTH, NICKEL FINISH, 180 DEGREE CLOCKWISE SWING ANGLE, FROM Z TO 6 POSITION, GROUP 1 MASTER KEY SYSTEM, FOLDING KEYS, GA KEYWAY
CL13-AM3-607U-20-03-C30-JZ6-R-K018-91-CC-CL
 DRAWER PEDESTAL LOCK WITH CAM TYPE C30, U-CLIP INSTALLATION, CL13 CYLINDER CORE MODEL, 20mm CYLINDER HOUSING LENGTH, CHROME FINISH, 180 DEGREE CLOCKWISE SWING ANGLE, FROM Z TO 6 POSITION, GROUP 3 MASTER KEY SYSTEM, KEYS WITH CAP, CC KEYWAY



The Lock from Lock Experts

METAL FURNITURE LOCKS

- 4-IN-1 SYSTEM
- 2000 KEY CHANGES
- MASTER KEY SYSTEM
- REMOVABLE CORE SYSTEM
- KEY IS OPTIONAL



2-DRAWER PEDESTAL

A-607X-20-01-C32-JZ6-R

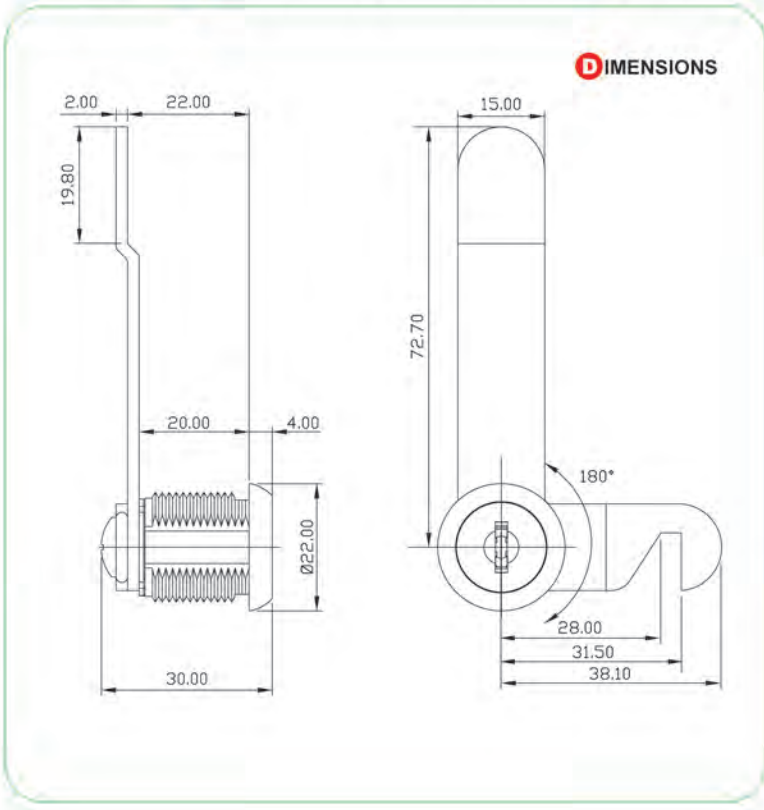
A-607U-20-01-C32-JZ6-R

SPECIFICATIONS

- 20mm 2-DRAWER PEDESTAL LOCK WITH CAM TYPE C32
- 180° ROTARY CAM MOVEMENT
- KEY REMOVABLE IN LOCKED & UNLOCKED POSITIONS
- AVAILABLE IN MASTER KEY & NON-MASTER KEY SYSTEMS
- REMOVABLE CORE SYSTEM
- ZINC ALLOY DIE CAST

SET INCLUDES

- 1 LOCK HOUSING
- 1 CYLINDER CORE
- 2 KEYS
- 1 HEXAGONAL NUT OR 1 CLIP
- 1 SCREW
- 1 WASHER
- 1 TYPE C32 CAM



ORDERING DETAILS

CORE SYSTEM	MASTER KEY SYSTEM	MASTER GROUP	MODEL	CYLINDER HOUSING LENGTH	FINISH	CAM / LEVER NO.	TURNING DIRECTION
*SEE CORE SYSTEM SECTION	A NON-MASTER AM MASTER AK MAIN MASTER AG GRAND MASTER *SEE MASTER KEY SYSTEMS SECTION	1-50	607X NUT INSTALLATION 607U U-CLIP INSTALLTION	20mm	01 NICKEL 03 CHROME	C___ *SEE CAM / LEVER SECTION	J CLOCKWISE K COUNTERCLOCKWISE

FROM LOCKED POSITION	TO UNLOCKED POSITION	REMOVAL OF KEY WHEN UNLOCKED	KEY SHAPE	KEYWAY	LOGO
1-Z X 9 8 7 6	Y Z 1 2 3 4 5	R REMOVABLE	*SEE CORE SYSTEM SECTION	*SEE MASTER KEY SYSTEMS SECTION	CL

EXAMPLES:
CL43-AM1-607X-20-01-C32-JZ6-R-K072-91-WA-CL
 DRAWER PEDESTAL LOCK WITH CAM TYPE C32, NUT INSTALLATION, CL43 CYLINDER CORE MODEL, 20mm CYLINDER HOUSING LENGTH, NICKEL FINISH, 180 DEGREE CLOCKWISE SWING ANGLE, FROM Z TO 6 POSITION, GROUP 1 MASTER KEY SYSTEM, FOLDING KEYS, WA KEYWAY
CL33-AM1-607U-20-03-C32-JZ6-R-K054-91-GA-CL
 DRAWER PEDESTAL LOCK WITH CAM TYPE C32, U-CLIP INSTALLATION, CL33 CYLINDER CORE MODEL, 20mm CYLINDER HOUSING LENGTH, CHROME FINISH, 180 DEGREE CLOCKWISE SWING ANGLE, FROM Z TO 6 POSITION, GROUP 1 MASTER KEY SYSTEM, KEYS WITH CAP, GA KEYWAY



METAL FURNITURE LOCKS



The Lock from Lock Experts

4-IN-1
SYSTEM

2000
KEY CHANGES

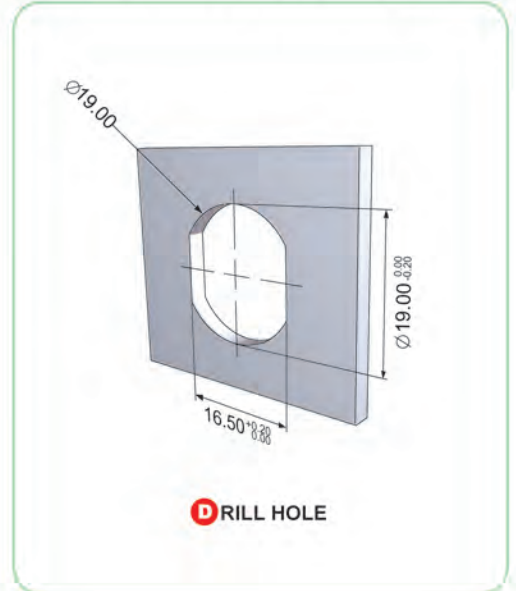
MASTER
KEY SYSTEM

REMOVABLE
CORE SYSTEM

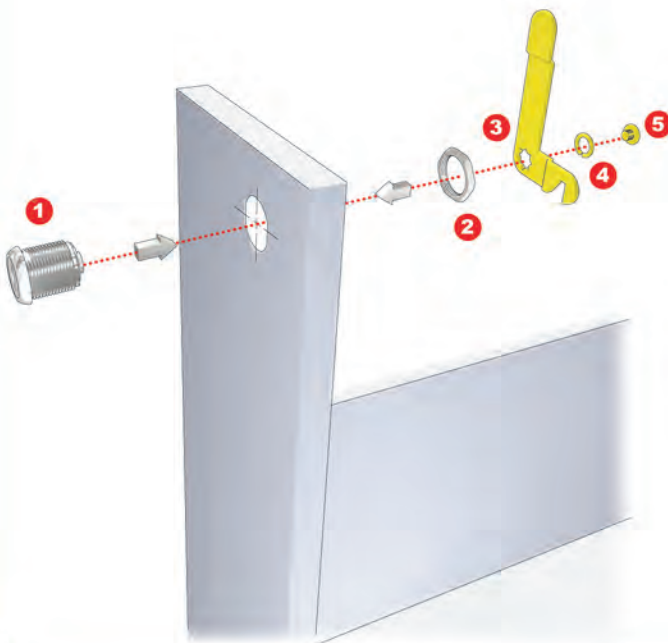
KEY
IS OPTIONAL



2-DRAWER PEDESTAL



FIXING DETAILS





The Lock from Lock Experts

METAL FURNITURE LOCKS



FILING CABINET

(2 DRAWERS, 3 DRAWERS, 4 DRAWERS, AND MORES)

A-607X-20-01-C26-JZ6-R

A-607U-20-01-C26-JZ6-R



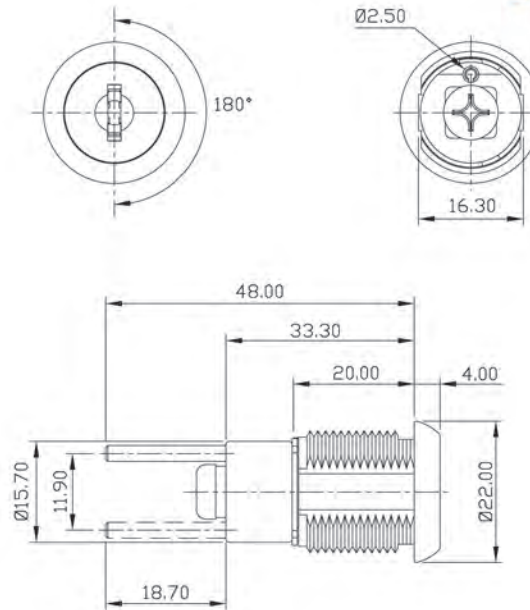
SPECIFICATIONS

- 20mm CAM LOCK WITH CAM TYPE C26
- 180° ROTARY CAM MOVEMENT
- KEY REMOVABLE IN LOCKED & UNLOCKED POSITIONS
- AVAILABLE IN MASTER KEY & NON-MASTER KEY SYSTEMS
- REMOVABLE CORE SYSTEM
- ZINC ALLOY DIE CAST

SET INCLUDES

- 1 LOCK HOUSING
- 1 SCREW
- 1 CYLINDER CORE
- 1 WASHER
- 2 KEYS
- 1 TYPE C26 CAM
- 1 HEXAGONAL NUT OR 1 CLIP

DIMENSIONS



ORDERING DETAILS

CORE SYSTEM	MASTER KEY SYSTEM	MASTER GROUP	MODEL	CYLINDER HOUSING LENGTH	FINISH	CAM / LEVER NO.	TURNING DIRECTION
*SEE CORE SYSTEM SECTION	A NON-MASTER AM MASTER AK MAIN MASTER AG GRAND MASTER *SEE MASTER KEY SYSTEMS SECTION	1-50	607X NUT INSTALLATION 607U U-CLIP INSTALLTION	20mm	01 NICKEL 03 CHROME	C ___ *SEE CAM / LEVER SECTION	J CLOCKWISE K COUNTERCLOCKWISE

FROM LOCKED POSITION	TO UNLOCKED POSITION	REMOVAL OF KEY WHEN UNLOCKED	KEY SHAPE	KEYWAY	LOGO
1-Z X Y Z 9 8 7 6 1 2 3 4 5	1-Z	R REMOVABLE	*SEE CORE SYSTEM SECTION	*SEE MASTER KEY SYSTEMS SECTION	CL

EXAMPLES:

CL23-AM1-607X-20-03-C26-JZ6-R-K059-91-FA-CL
CAM LOCK WITH CAM TYPE C26, NUT INSTALLATION, CL23 CYLINDER CORE MODEL, 20mm CYLINDER HOUSING LENGTH, CHROME FINISH, 180 DEGREE CLOCKWISE SWING ANGLE, FROM Z TO 6 POSITION, GROUP 1 MASTER KEY SYSTEM, FOLDING KEYS, FA KEYWAY

CL13-A-607U-20-01-C26-JZ6-R-K018-91-CC-CL
CAM LOCK WITH CAM TYPE C26, U-CLIP INSTALLATION, CL13 CYLINDER CORE MODEL, 20mm CYLINDER HOUSING LENGTH, NICKEL FINISH, 180 DEGREE CLOCKWISE SWING ANGLE, FROM Z TO 6 POSITION, NON-MASTER KEY SYSTEM, KEYS WITH CAP, CC KEYWAY



METAL FURNITURE LOCKS



The Lock from Lock Experts

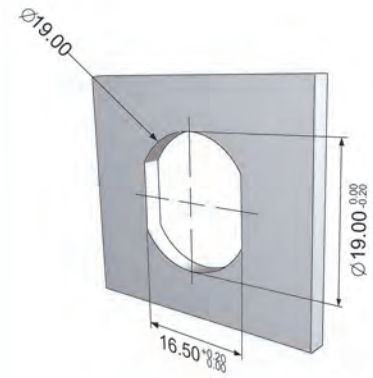
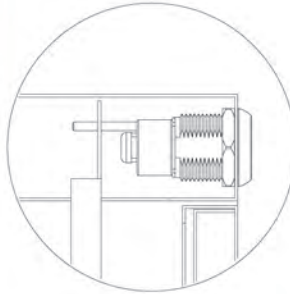
4-IN-1
SYSTEM

2000
KEY CHANGES

MASTER
KEY SYSTEM

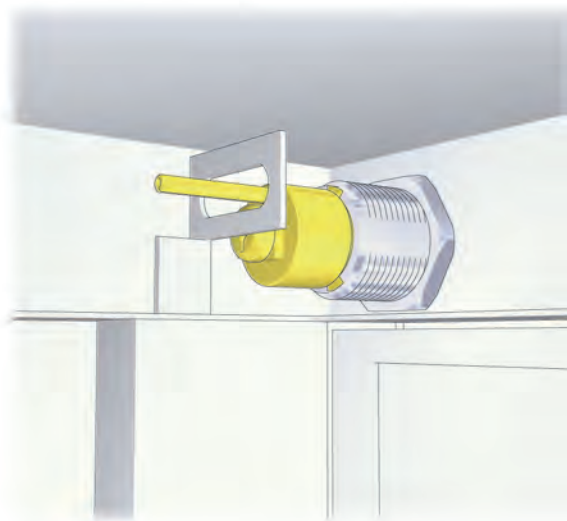
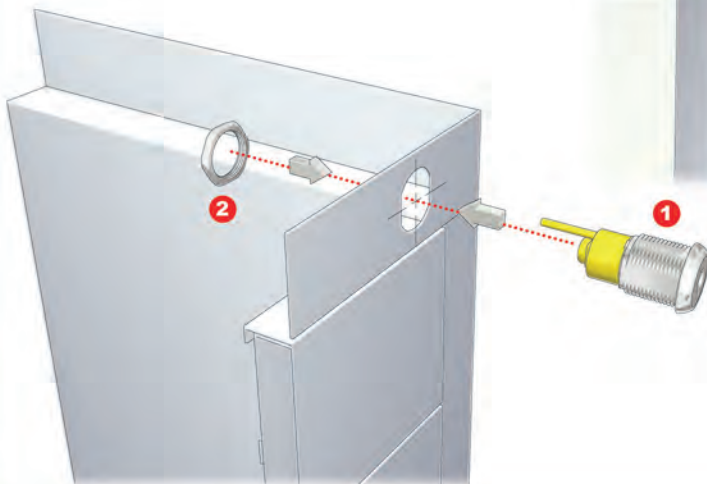
REMOVABLE
CORE SYSTEM

KEY
IS OPTIONAL



D RILL HOLE

FIXING DETAILS





METAL FURNITURE LOCKS



The Lock from Lock Experts

4-IN-1 SYSTEM

2000 KEY CHANGES

MASTER KEY SYSTEM

REMOVABLE CORE SYSTEM

KEY IS OPTIONAL



SWING DOOR CABINET

A-607X-20-01-C13-JZ3-R

A-607U-20-01-C13-JZ3-R



NUT

U-CLIP

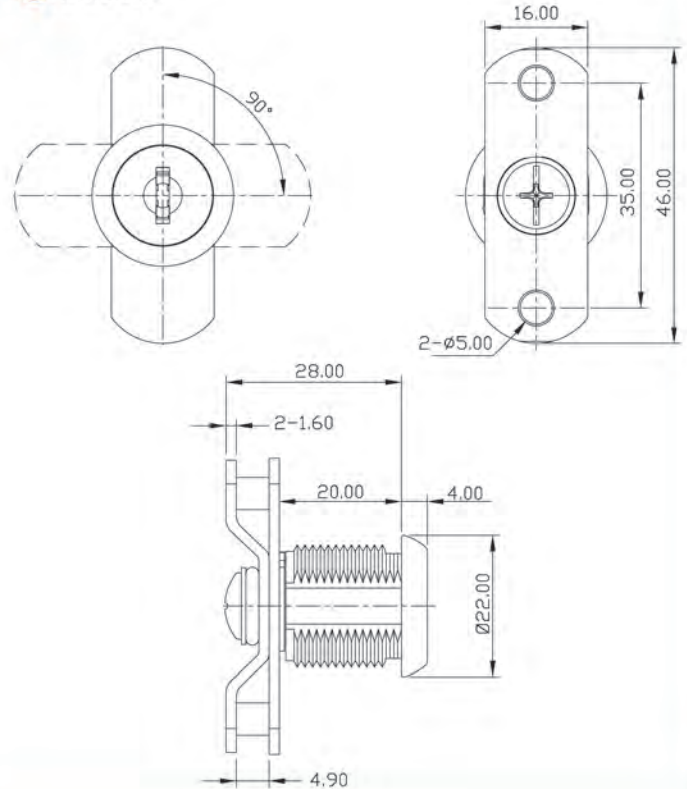
SPECIFICATIONS

- 20mm CAM LOCK WITH CAM TYPE C13
- 90° ROTARY CAM MOVEMENT
- KEY REMOVABLE IN LOCKED & UNLOCKED POSITIONS
- AVAILABLE IN MASTER KEY & NON-MASTER KEY SYSTEMS
- REMOVABLE CORE SYSTEM
- ZINC ALLOY DIE CAST

SET INCLUDES

- 1 LOCK HOUSING
- 1 CYLINDER CORE
- 2 KEYS
- 1 HEXAGONAL NUT OR 1 CLIP
- 1 SCREW
- 1 WASHER
- 1 TYPE C13 CAM

DIMENSIONS



ORDERING DETAILS

CORE SYSTEM	MASTER KEY SYSTEM	MASTER GROUP	MODEL	CYLINDER HOUSING LENGTH	FINISH	CAM / LEVER NO.	TURNING DIRECTION
*SEE CORE SYSTEM SECTION	A NON-MASTER AM MASTER AK MAIN MASTER AG GRAND MASTER *SEE MASTER KEY SYSTEMS SECTION	1-50	607X NUT INSTALLATION 607U U-CLIP INSTALLATION	20mm	01 NICKEL 03 CHROME	C_ _ _ *SEE CAM / LEVER SECTION	J CLOCKWISE K COUNTERCLOCKWISE

FROM LOCKED POSITION	TO UNLOCKED POSITION	REMOVAL OF KEY WHEN UNLOCKED	KEY SHAPE	KEYWAY	LOGO
1-Z X 9 8 7 6	Y Z 1 2 3 4 5	R REMOVABLE	*SEE CORE SYSTEM SECTION	*SEE MASTER KEY SYSTEMS SECTION	CL

EXAMPLES:

CL33-A-607X-20-01-C13-J9Z-R-K054-91-GA-CL
CAM LOCK WITH CAM TYPE C13, NUT INSTALLATION, CL33 CYLINDER CORE MODEL, 20mm CYLINDER HOUSING LENGTH, NICKEL FINISH, 90 DEGREE CLOCKWISE SWING ANGLE, FROM 9 TO Z POSITION, NON-MASTER KEY SYSTEM, KEYS WITH CAP, GA KEYWAY

CL13-AM1-607U-20-03-C13-J9Z-R-K034-91-CC-CL
CAM LOCK WITH CAM TYPE C13, U-CLIP INSTALLATION, CL13 CYLINDER CORE MODEL, 20mm CYLINDER HOUSING LENGTH, CHROME FINISH, 90 DEGREE CLOCKWISE SWING ANGLE, FROM 9 TO Z POSITION, GROUP 1 MASTER KEY SYSTEM, FOLDING KEYS, CC KEYWAY



The Lock from Lock Experts

METAL FURNITURE LOCKS

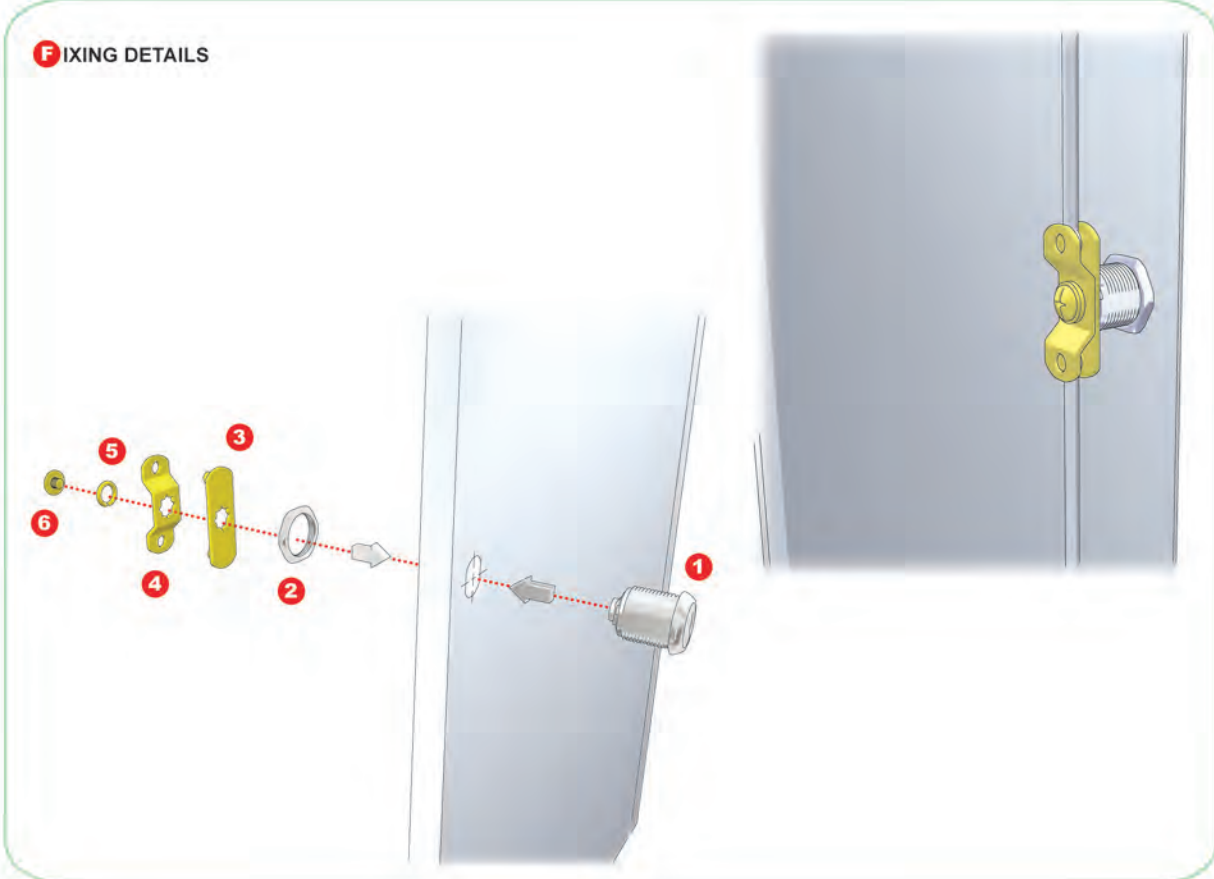
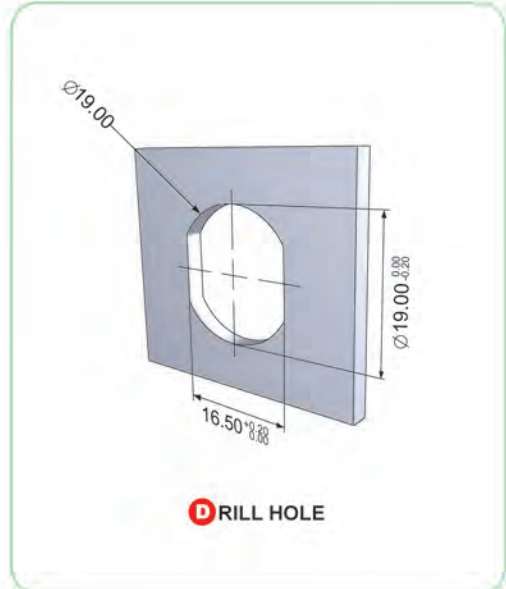
4-IN-1
SYSTEM

2000
KEY CHANGES

MASTER
KEY SYSTEM

REMOVABLE
CORE SYSTEM

KEY
IS OPTIONAL





The Lock from Lock Experts

METAL FURNITURE LOCKS

4-IN-1 SYSTEM

2000 KEY CHANGES

MASTER KEY SYSTEM

REMOVABLE CORE SYSTEM

KEY IS OPTIONAL

SYSTEM



MAIL BOX LOCK

A-517X-20-01-G280-J93-R

A-517U-20-01-G280-J93-R



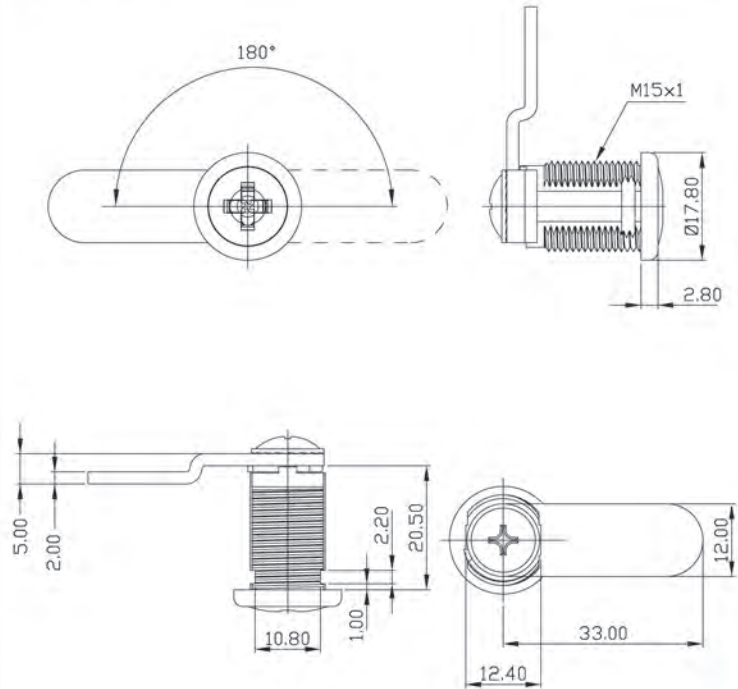
SPECIFICATIONS

- MAIL BOX LOCK
- 180° ROTARY CAM MOVEMENT
- KEY REMOVABLE IN LOCKED & UNLOCKED POSITIONS
- AVAILABLE IN MASTER KEY & NON-MASTER KEY SYSTEMS
- ZINC ALLOY DIE CAST

SET INCLUDES

- 1 LOCK HOUSING
- 1 CYLINDER CORE
- 2 KEYS
- 1 CLIP
- 1 CAM TYPE G280

DIMENSIONS



ORDERING DETAILS

MASTER KEY SYSTEM		MASTER GROUP	MODEL	CYLINDER HOUSING LENGTH	FINISH	CAM / LEVER NO.	TURNING DIRECTION
A NON-MASTER AM MASTER	1-50	517X NUT INSTALLATION 517U U-CLIP INSTALLATION	20mm	01 NICKEL 03 CHROME	C___ *SEE CAM / LEVER SECTION FOR 2.5mm THICKNESS, USE CT___	J CLOCKWISE K COUNTERCLOCKWISE	
*SEE MASTER KEY SYSTEMS SECTION							
FROM LOCKED POSITION	TO UNLOCKED POSITION	REMOVAL OF KEY WHEN UNLOCKED	KEY SHAPE	KEYWAY	LOGO		
1-Z X 9 8 7 B	Y Z 1 2 3 4 5	R REMOVABLE	*SEE CORE SYSTEM SECTION	CG	CL		

EXAMPLES:
 A-517X-20-03-G280-J93-R-K079-91-CG-CL
 MAIL BOX LOCK WITH CAM TYPE G280,
 20mm CYLINDER HOUSING LENGTH, NUT INSTALLATION,
 180 DEGREE CLOCKWISE SWING ANGLE, FROM 9 TO 3 POSITION,
 CHROME FINISH, NON MASTER KEY , KEYS WITH CAP, CG KEYWAY



The Lock from Lock Experts

METAL FURNITURE LOCKS

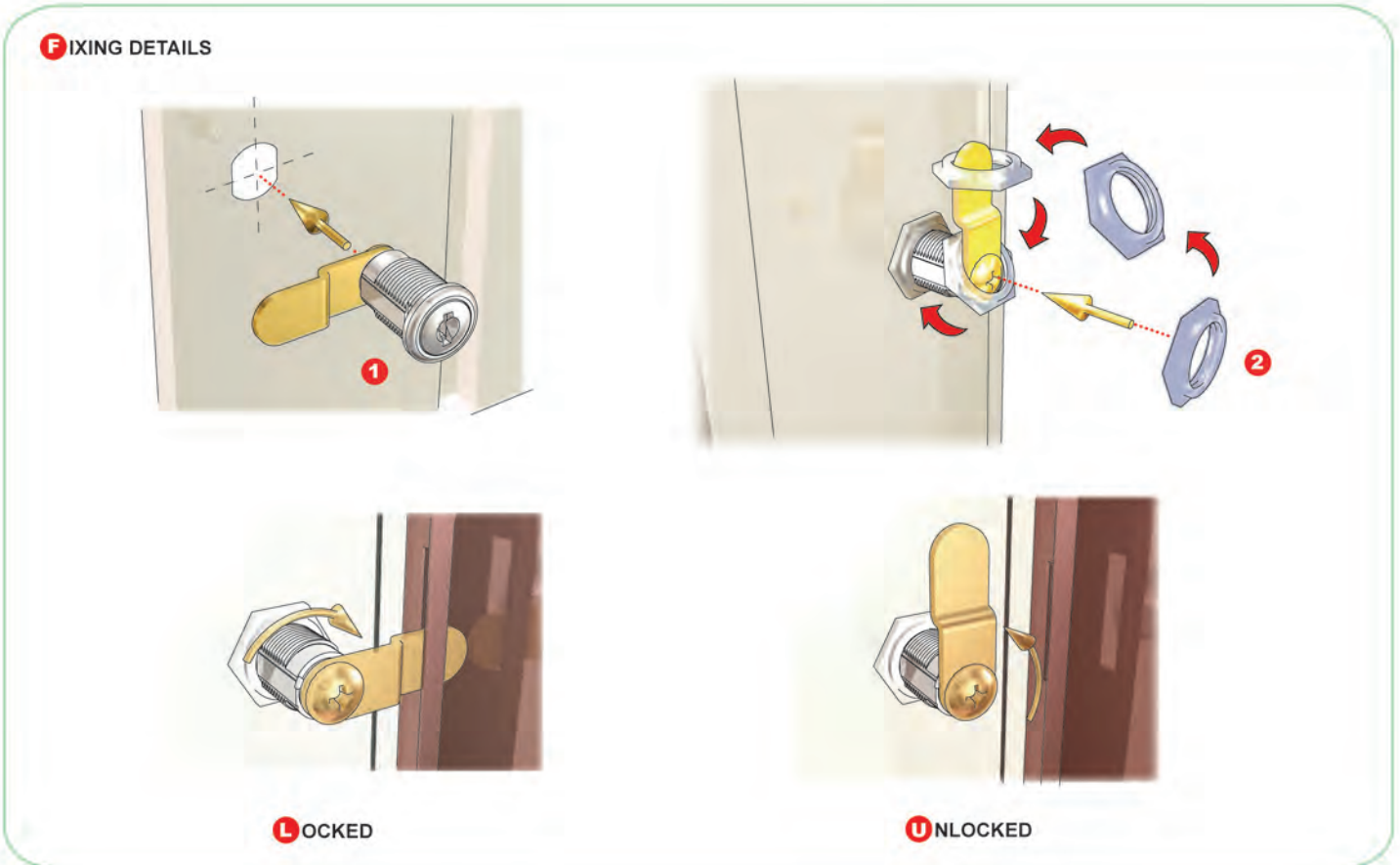
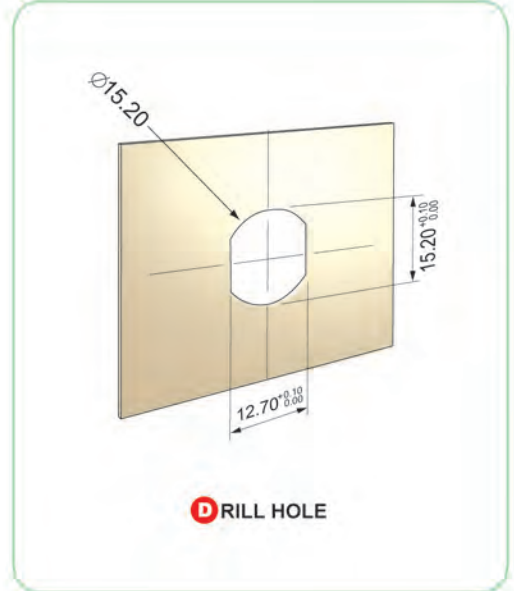
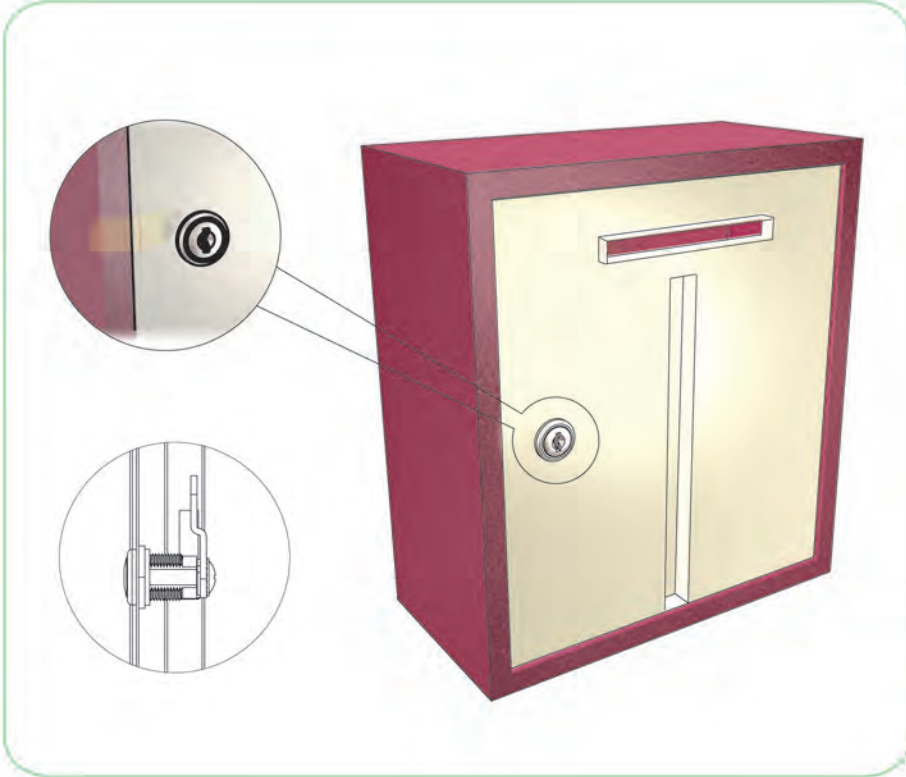
4-IN-1 SYSTEM

2000 KEY CHANGES

MASTER KEY SYSTEM

REMOVABLE CORE SYSTEM

KEY IS OPTIONAL





The Lock from Lock Experts

METAL FURNITURE LOCKS

- 4-IN-1 SYSTEM
- 2000 KEY CHANGES
- MASTER KEY SYSTEM
- REMOVABLE CORE SYSTEM
- KEY IS OPTIONAL



A-551ZR

FOR : 0.8 -1mm METAL THICKNESS

SPECIFICATIONS

- ZINC METAL CABINET HANDLE LOCK
- 180° KEY ROTATION
- KEY REMOVABLE IN LOCKED & UNLOCKED POSITIONS
- AVAILABLE IN MASTER KEY & NON-MASTER KEY SYSTEMS
- REMOVABLE CORE SYSTEM

SET INCLUDES

- 1 HOUSING
- 1 CYLINDER CORE
- 2 KEYS
- 2 SCREWS

ACCESSORY OPTIONS

- B-034

ORDERING DETAILS

CORE SYSTEM	MASTER KEY SYSTEM	MASTER GROUP	MODEL	KEY SHAPE	KEYWAY	LOGO
*SEE CORE SYSTEM SECTION	A NON-MASTER AM MASTER AK MAIN MASTER AG GRAND MASTER *SEE MASTER KEY SYSTEMS SECTION	1-50	551ZR	*SEE CORE SYSTEM SECTION	*SEE MASTER KEY SYSTEMS SECTION	CL

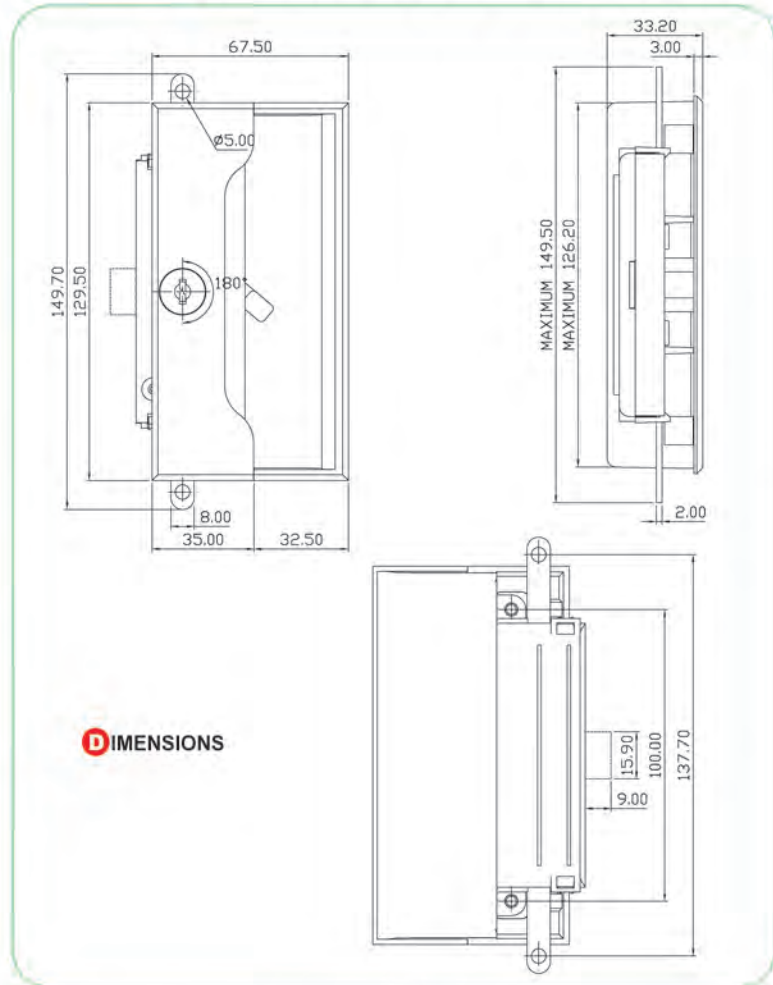
EXAMPLES:

CL13-AM1-551ZR-K018-91-CC-CL
 ZINC METAL CABINET HANDLE LOCK, CL13 CYLINDER CORE MODEL, GROUP 1 MASTER KEY SYSTEM, KEYS WITH CAP, CC KEYWAY

CL13-A-551ZR-K034-91-CC-CL
 ZINC METAL CABINET HANDLE LOCK, CL13 CYLINDER CORE MODEL, NON-MASTER KEY SYSTEM, FOLDING KEYS, CC KEYWAY



SWING DOOR CABINET





METAL FURNITURE LOCKS



The Lock from Lock Experts

4-IN-1 SYSTEM

2000 KEY CHANGES

MASTER KEY SYSTEM

REMOVABLE CORE SYSTEM

KEY IS OPTIONAL



SWING DOOR CABINET

A-551ZL



FOR : 0.8-1mm METAL THCKNESS

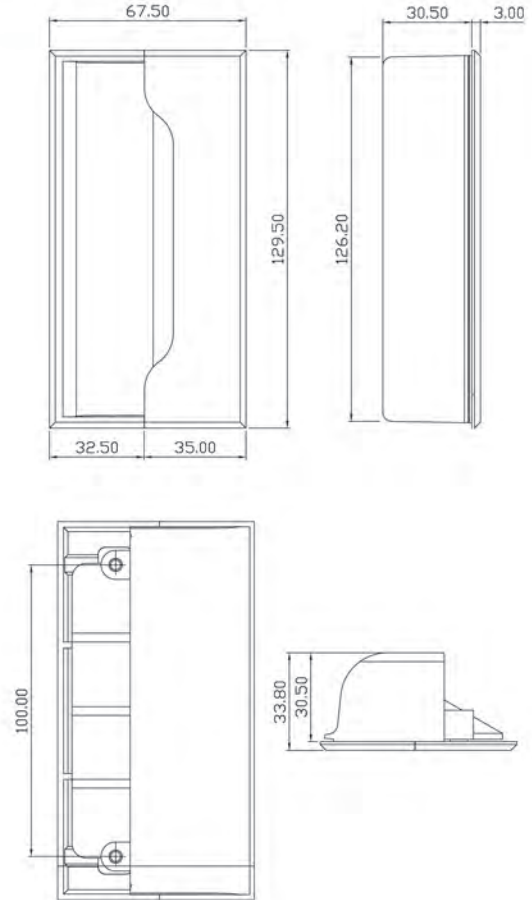
SPECIFICATIONS

- ZINC METAL CABINET HANDLE
- TO BE USED WITH A-551ZR

SET INCLUDES

- 1 HANDLE
- 2 SCREWS

DIMENSIONS



ORDERING DETAILS

MASTER KEY SYSTEM	MODEL
A NON-MASTER	551ZL
*SEE MASTER KEY SYSTEMS SECTION	

EXAMPLES:
A-551ZL
ZINC METAL CABINET HANDLE (TO BE USED WITH A-551ZR)



The Lock from Lock Experts

METAL FURNITURE LOCKS

4-IN-1 SYSTEM

2000 KEY CHANGES

MASTER KEY SYSTEM

REMOVABLE CORE SYSTEM

KEY IS OPTIONAL



A-551PR

FOR : 0.8-1mm METAL THICKNESS

SPECIFICATIONS

- ABS GRADE PLASTIC HANDLE LOCK
- 180° KEY ROTATION
- KEY REMOVABLE IN LOCKED & UNLOCKED POSITIONS
- AVAILABLE IN MASTER KEY & NON-MASTER KEY SYSTEMS
- REMOVABLE CORE SYSTEM

SET INCLUDES

- 1 HOUSING
- 1 CYLINDER CORE
- 2 KEYS
- 2 SCREWS

ACCESSORY OPTIONS

- B-034

ORDERING DETAILS

CORE SYSTEM	MASTER KEY SYSTEM	MASTER GROUP	MODEL	KEY SHAPE	KEYWAY	LOGO
*SEE CORE SYSTEM SECTION	A NON-MASTER AM MASTER AK MAIN MASTER AG GRAND MASTER *SEE MASTER KEY SYSTEMS SECTION	1-50	551PR	*SEE CORE SYSTEM SECTION	*SEE MASTER KEY SYSTEMS SECTION	CL

EXAMPLES:

CL13-AM1-551PR-K018-91-CC-CL

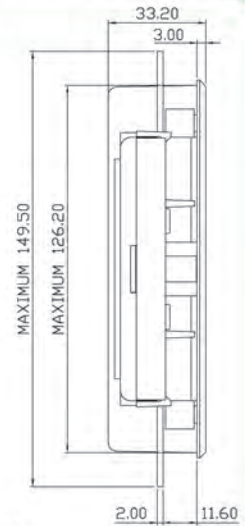
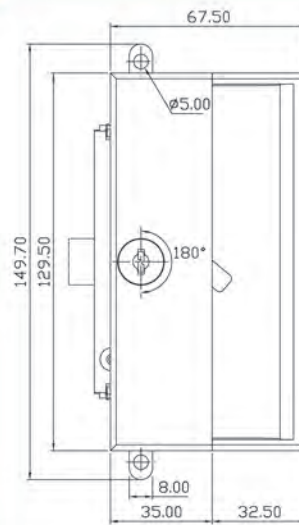
BLACK PLASTIC METAL CABINET HANDLE LOCK, CL13 CYLINDER CORE MODEL, GROUP 1 MASTER KEY SYSTEM, KEYS WITH CAP, CC KEYWAY

CL13-A-551PR-K034-91-CC-CL

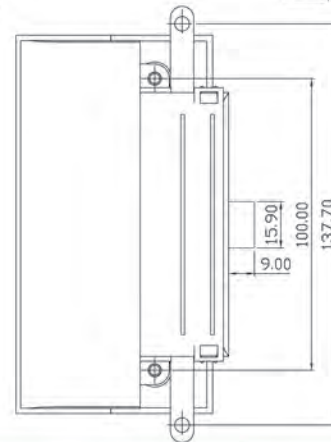
BLACK PLASTIC METAL CABINET HANDLE LOCK, CL13 CYLINDER CORE MODEL, NON-MASTER KEY SYSTEM, FOLDING KEYS, CC KEYWAY



SWING DOOR CABINET



DIMENSIONS



B-034





METAL FURNITURE LOCKS



The Lock from Lock Experts

- 4-IN-1 SYSTEM
- 2000 KEY CHANGES
- MASTER KEY SYSTEM
- REMOVABLE CORE SYSTEM
- KEY IS OPTIONAL

A-551PL



FOR : 0.8-1mm METAL THICKNESS

SPECIFICATIONS

- ABS GRADE PLASTIC HANDLE
- TO BE USED WITH A-551PR

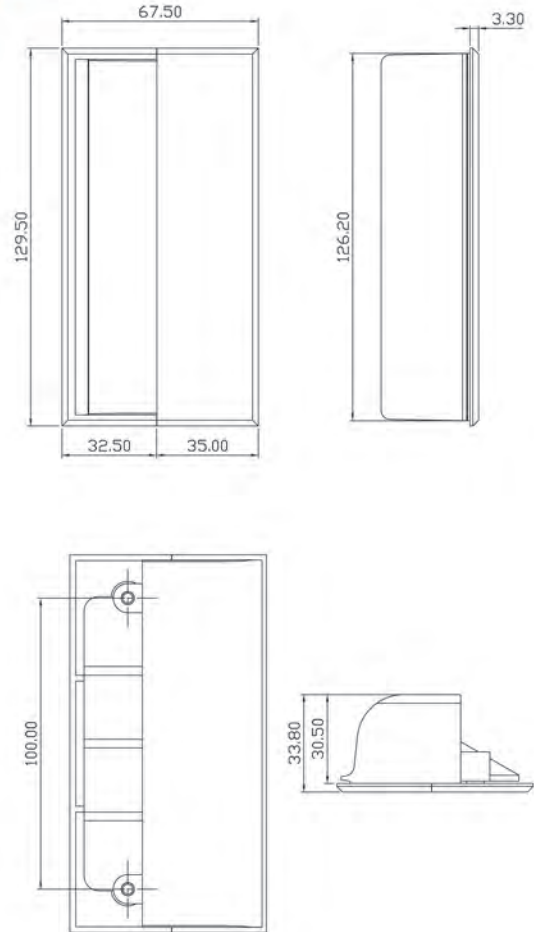
SET INCLUDES

- 1 HANDLE
- 2 SCREWS



SWING DOOR CABINET

DIMENSIONS



ORDERING DETAILS

MASTER KEY SYSTEM	MODEL
A NON-MASTER	551PL
*SEE MASTER KEY SYSTEMS SECTION	

EXAMPLES:
A-551PL
 PLASTIC METAL CABINET HANDLE (TO BE USED WITH A-551PR)



The Lock from Lock Experts

METAL FURNITURE LOCKS

4-IN-1 SYSTEM

2000 KEY CHANGES

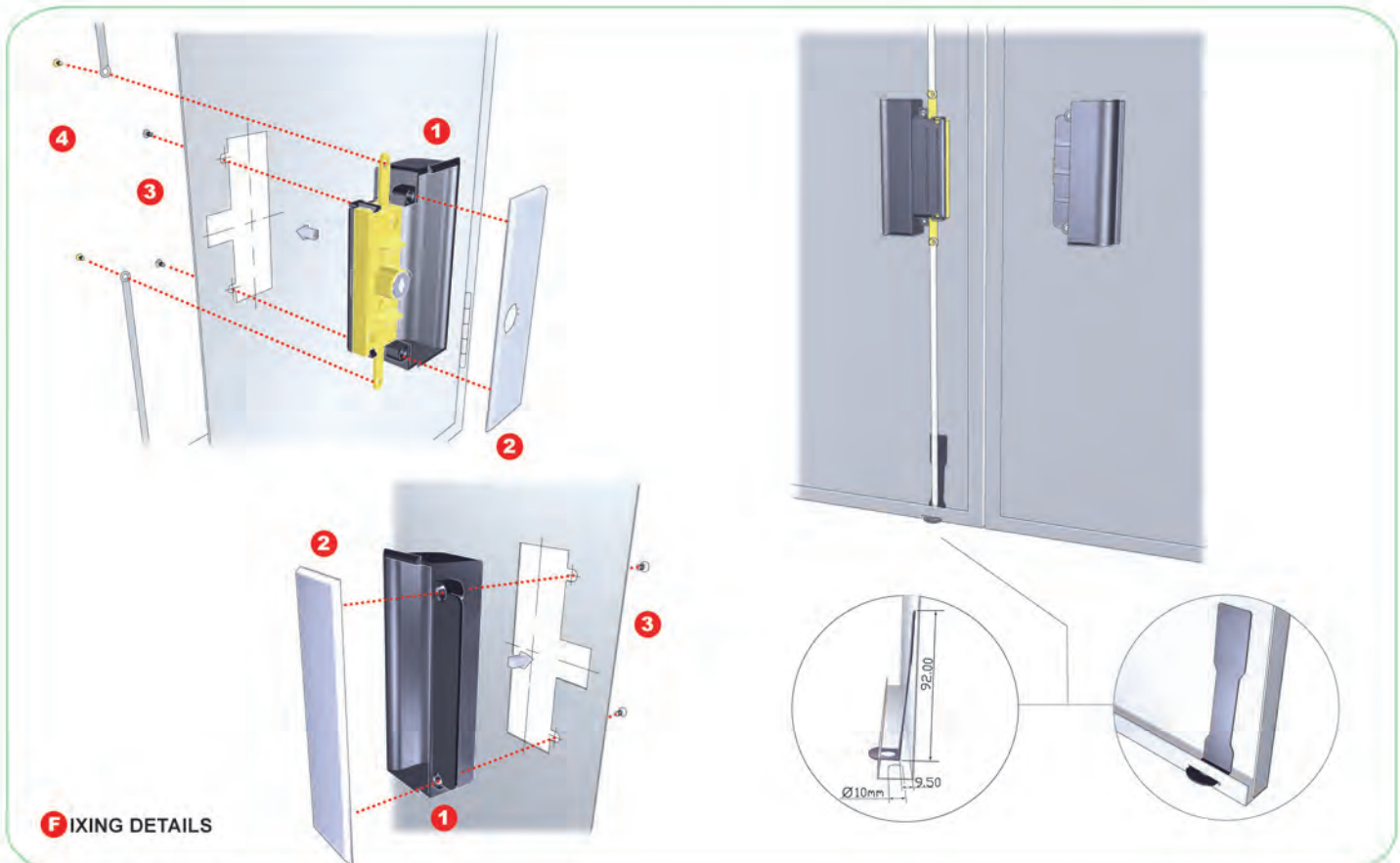
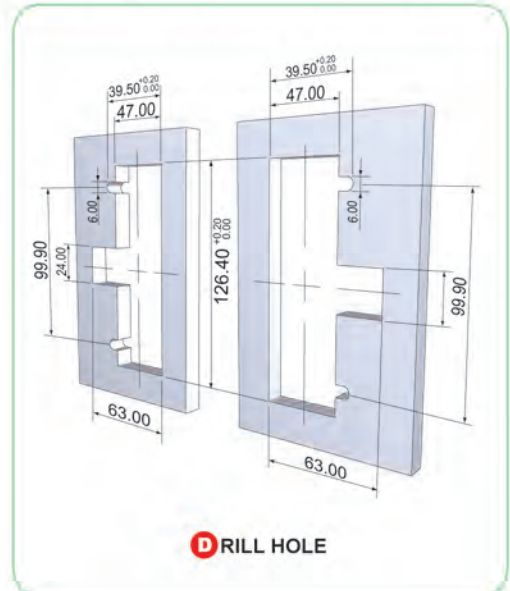
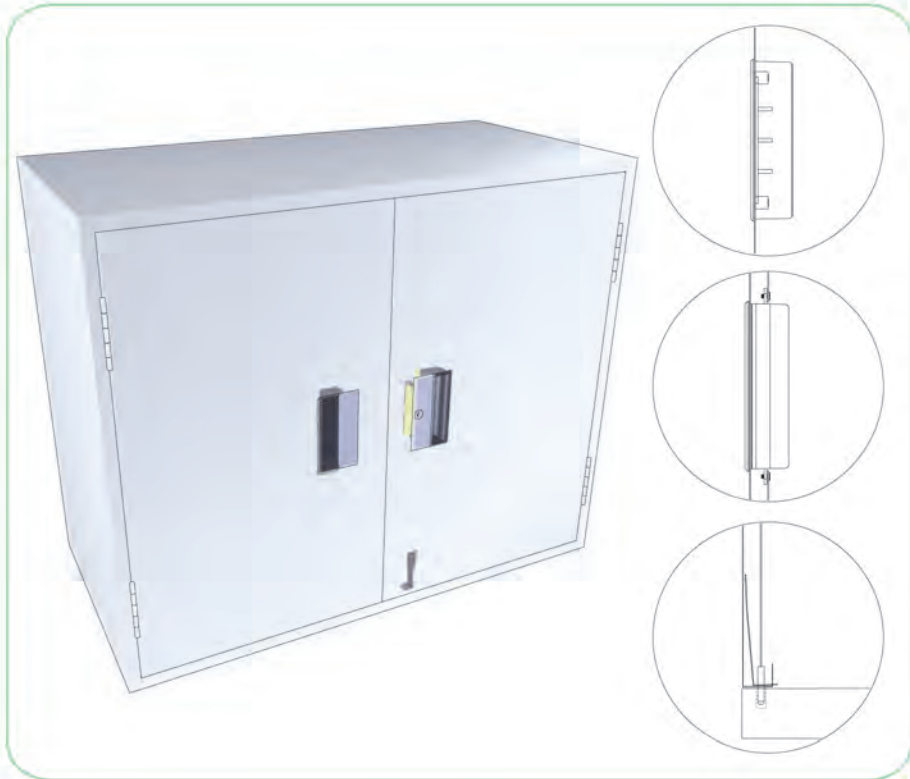
MASTER KEY SYSTEM

REMOVABLE CORE SYSTEM

KEY IS OPTIONAL



SWING DOOR CABINET





METAL FURNITURE LOCKS



The Lock from Lock Experts

4-IN-1
SYSTEM

2000
KEY CHANGES

MASTER
KEY SYSTEM

REMOVABLE
CORE SYSTEM

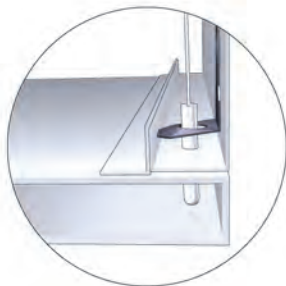
KEY
IS OPTIONAL



SWING DOOR CABINET

1 INSTALLATION

CLOSE



CLOSE STEP



1 INSTALLATION

OPEN



OPEN STEP





The Lock from Lock Experts

METAL FURNITURE LOCKS

4-IN-1 SYSTEM

2000 KEY CHANGES

MASTER KEY SYSTEM

REMOVABLE CORE SYSTEM

KEY IS OPTIONAL



A-552-04-G086

FOR 0.8-1mm METAL THICKNESS

SPECIFICATIONS

- FLUSH HANDLE CAM LOCK WITH CAM TYPE G086
- ZINC ALLOY DIE CAST HOUSING (BLACK PLATED)
- ZINC ALLOY DIE CAST HANDLE (CHROME PLATED)
- EASY TO INSTALL WITH SUPPLIED SPRING LOCK
- KEY REMOVABLE IN LOCKED & UNLOCKED POSITIONS
- AVAILABLE IN MASTER KEY & NON-MASTER KEY SYSTEMS
- REMOVABLE CORE SYSTEM

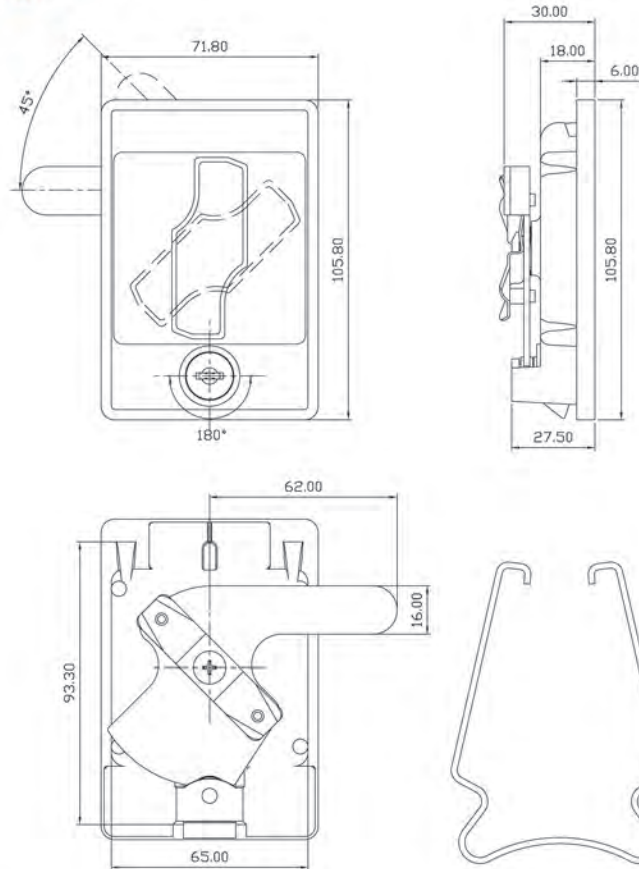
SET INCLUDES

- 1 FLUSH HANDLE HOUSING
- 1 CYLINDER CORE
- 2 KEYS
- 1 SPRING LOCK
- 1 TYPE G086 CAM



SWING DOOR CABINET

DIMENSIONS



ORDERING DETAILS

CORE SYSTEM	MASTER KEY SYSTEM	MASTER GROUP	MODEL	FINISH	CAM / LEVER NO.	KEY SHAPE	KEYWAY	LOGO
*SEE CORE SYSTEM SECTION	A NON-MASTER AM MASTER AK MAIN MASTER AG GRAND MASTER *SEE MASTER KEY SYSTEMS SECTION	1-50	552	04 BLACK E.D.P.	G086 *SEE CAM / LEVER SECTION	*SEE CORE SYSTEM SECTION	*SEE MASTER KEY SYSTEMS SECTION	CL

EXAMPLES:

CL13-AM3-552-91-G086-K034-91-CC-CL

FLUSH HANDLE CAM LOCK WITH CAM TYPE G086, CL13 CYLINDER CORE MODEL, GROUP 3 MASTER KEY SYSTEM, FOLDING KEYS, CC KEYWAY

CL33-A-552-91-G086-K054-91-GA-CL

FLUSH HANDLE CAM LOCK WITH CAM TYPE G086, CL33 CYLINDER CORE MODEL, NON-MASTER KEY SYSTEM, KEYS WITH CAP, GA KEYWAY



METAL FURNITURE LOCKS



The Lock from Lock Experts

4-IN-1
SYSTEM

2000
KEY CHANGES

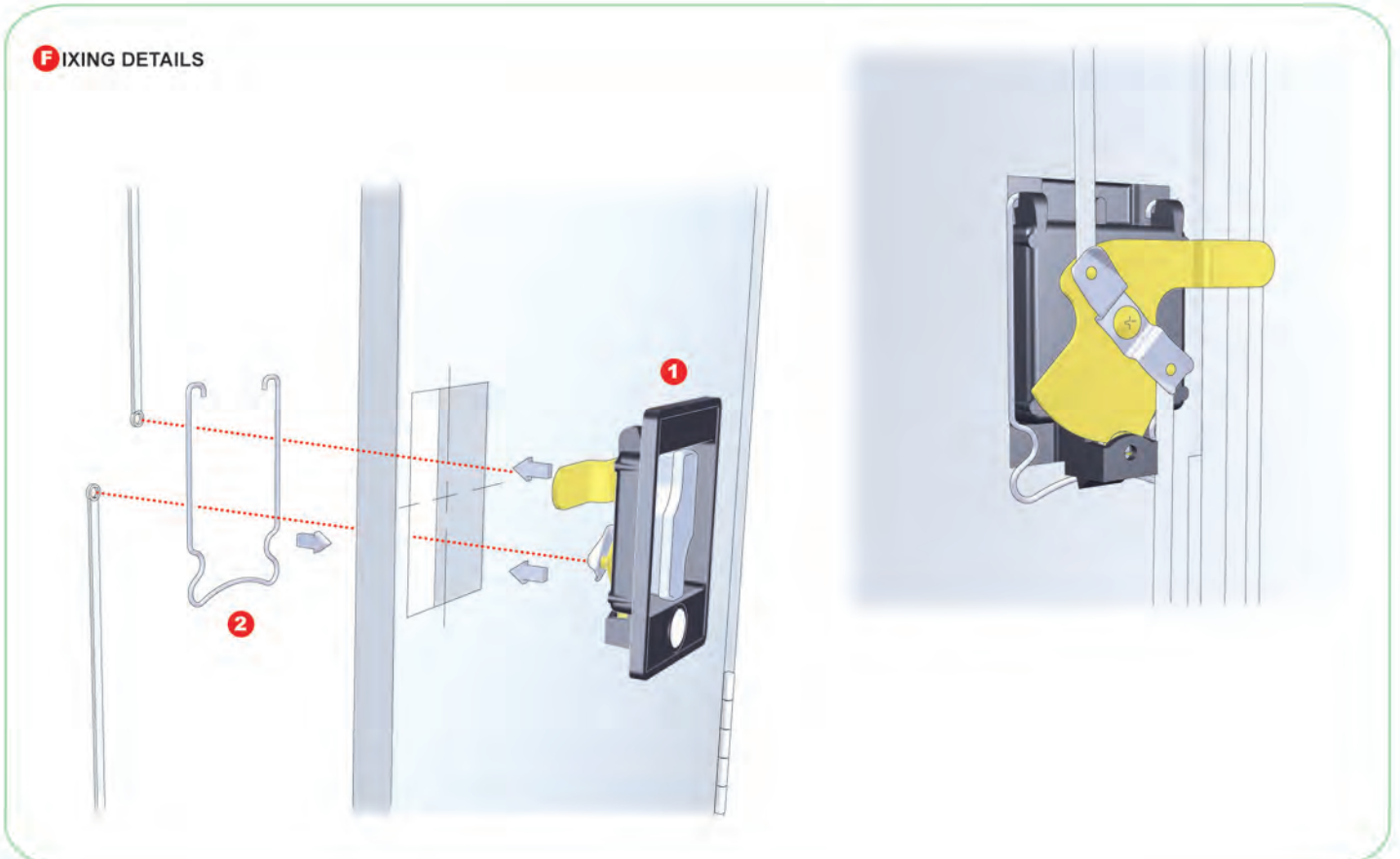
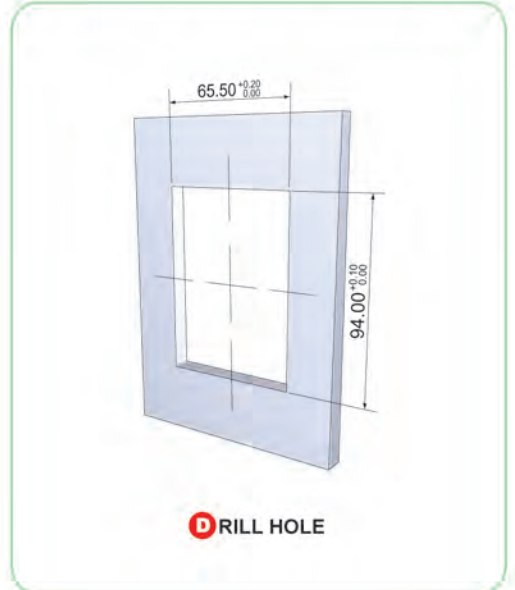
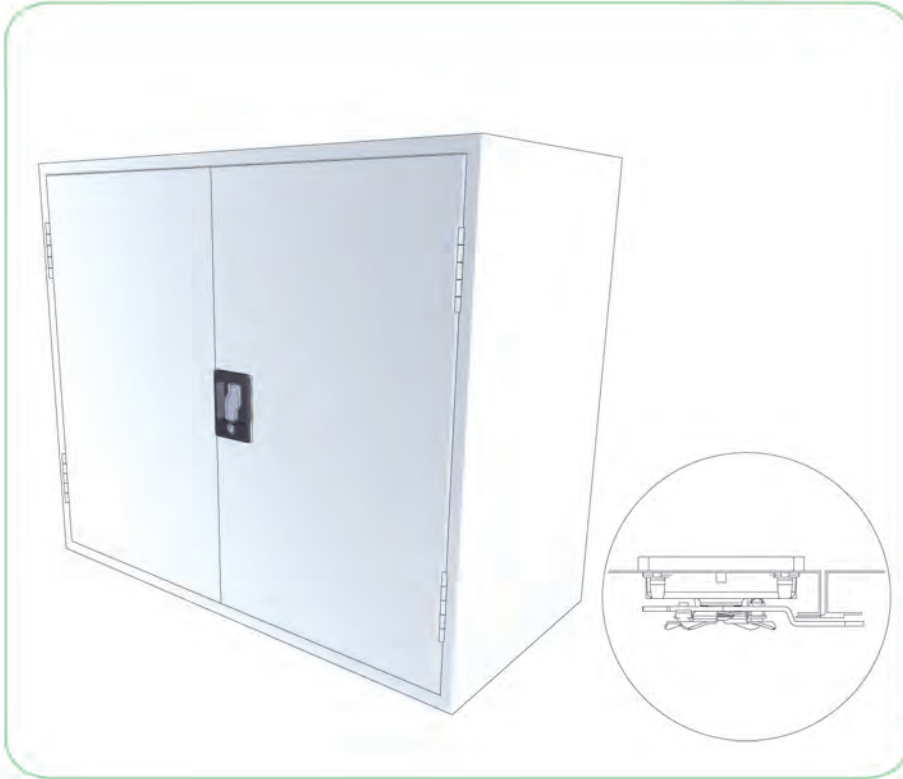
MASTER
KEY SYSTEM

REMOVABLE
CORE SYSTEM

KEY
IS OPTIONAL



SWING DOOR CABINET





The Lock from Lock Experts

METAL FURNITURE LOCKS

4-IN-1 SYSTEM

2000 KEY CHANGES

MASTER KEY SYSTEM

REMOVABLE CORE SYSTEM

KEY IS OPTIONAL



QUICK-FIX



SWING DOOR CABINET

A-553VR-91-G132



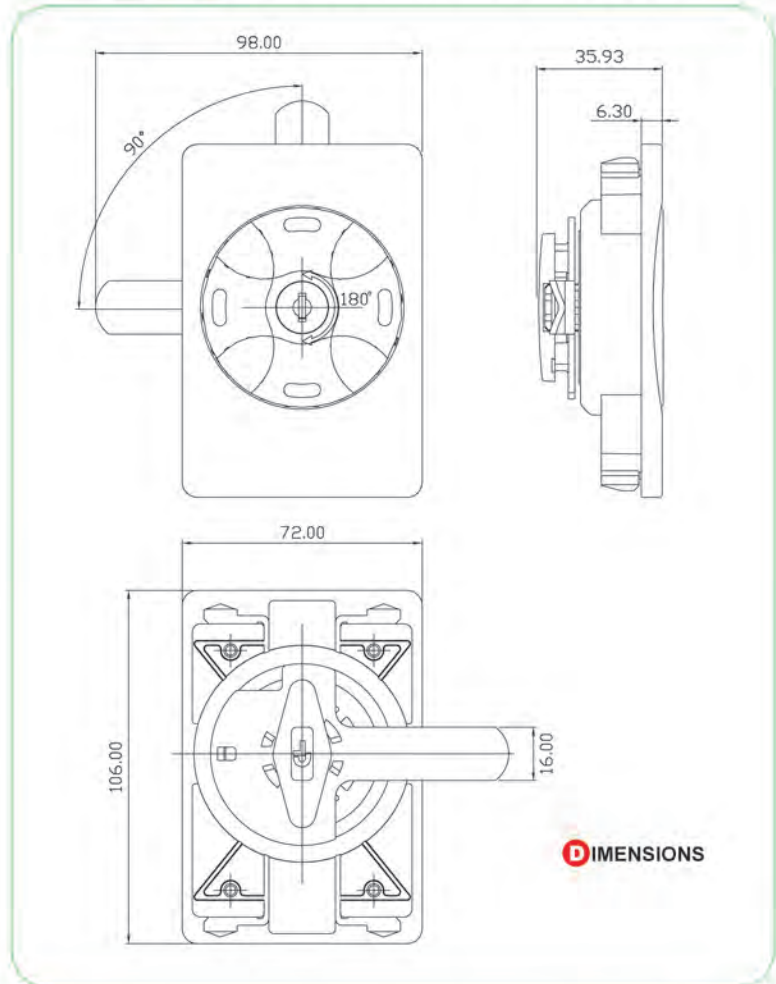
FOR : 0.8-1mm METAL THICKNESS

SPECIFICATIONS

- QUICK-FIX LOCK
- PLASTIC FLUSH HANDLE CAM LOCK WITH CAM TYPE G132
- KEY REMOVABLE IN LOCKED & UNLOCKED POSITIONS
- AVAILABLE IN MASTER KEY & NON-MASTER KEY SYSTEMS
- REMOVABLE CORE SYSTEM

SET INCLUDES

- 1 PLASTIC FLUSH HANDLE HOUSING
- 1 CYLINDER CORE
- 2 KEYS
- 1 TYPE G132 CAM



DIMENSIONS

ORDERING DETAILS

CORE SYSTEM	MASTER KEY SYSTEM	MASTER GROUP	MODEL	FINISH	CAM / LEVER NO.	KEY SHAPE	KEYWAY	LOGO
*SEE CORE SYSTEM SECTION	A NON-MASTER AM MASTER AK MAIN MASTER AG GRAND MASTER *SEE MASTER KEY SYSTEMS SECTION	1-50	553VR	91 BLACK	G132 *SEE CAM / LEVER SECTION	*SEE CORE SYSTEM SECTION	*SEE MASTER KEY SYSTEMS SECTION	CL

EXAMPLES:

CL13-AM1-553VR-91-G132-K018-91-CC-CL

PLASTIC FLUSH HANDLE CAM LOCK WITH CAM TYPE G132, CL13 CYLINDER CORE MODEL, GROUP 1 MASTER KEY SYSTEM, KEYS WITH CAP, CC KEYWAY

CL33-A-553VR-91-G132-K056-91-GA-CL

PLASTIC FLUSH HANDLE CAM LOCK WITH CAM TYPE G132, CL33 CYLINDER CORE MODEL, NON-MASTER KEY SYSTEM, FOLDING KEYS, GA KEYWAY



The Lock from Lock Experts

METAL FURNITURE LOCKS

4-IN-1 SYSTEM

2000 KEY CHANGES

MASTER KEY SYSTEM

REMOVABLE CORE SYSTEM

KEY IS OPTIONAL



SWING DOOR CABINET



A-553H-91-G132

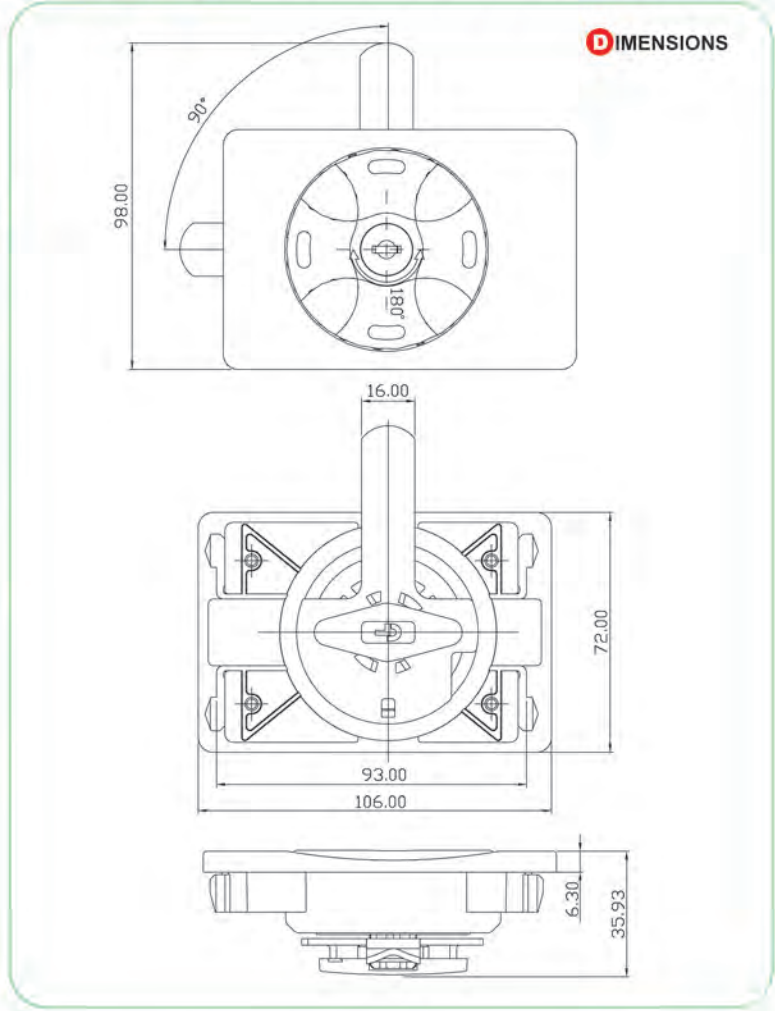
FOR 0.8-1mm METAL THICKNESS

SPECIFICATIONS

- QUICK-FIX LOCK
- PLASTIC FLUSH HANDLE CAM LOCK WITH CAM TYPE G132
- KEY REMOVABLE IN LOCKED & UNLOCKED POSITIONS
- AVAILABLE IN MASTER KEY & NON-MASTER KEY SYSTEMS
- REMOVABLE CORE SYSTEM

SET INCLUDES

- 1 PLASTIC FLUSH HANDLE HOUSING
- 1 CYLINDER CORE
- 2 KEYS
- 1 TYPE G132 CAM



ORDERING DETAILS

CORE SYSTEM	MASTER KEY SYSTEM	MASTER GROUP	MODEL	FINISH	CAM / LEVER NO.	KEY SHAPE	KEYWAY	LOGO
*SEE CORE SYSTEM SECTION	A NON-MASTER AM MASTER AK MAIN MASTER AG GRAND MASTER *SEE MASTER KEY SYSTEMS SECTION	1-50	553H	91 BLACK	G132 *SEE CAM / LEVER SECTION	*SEE CORE SYSTEM SECTION	*SEE MASTER KEY SYSTEMS SECTION	CL

EXAMPLES:

CL13-AM1-553H-91-G132-K018-91-CC-CL

PLASTIC FLUSH HANDLE CAM LOCK WITH CAM TYPE G132, CL13 CYLINDER CORE MODEL, GROUP 1 MASTER KEY SYSTEM, KEYS WITH CAP, CC KEYWAY

CL33-A-553H-91-G132-K056-91-GA-CL

PLASTIC FLUSH HANDLE CAM LOCK WITH CAM TYPE G132, CL33 CYLINDER CORE MODEL, NON-MASTER KEY SYSTEM, FOLDING KEYS, GA KEYWAY



METAL FURNITURE LOCKS



The Lock from Lock Experts

4-IN-1 SYSTEM

2000 KEY CHANGES

MASTER KEY SYSTEM

REMOVABLE CORE SYSTEM

KEY IS OPTIONAL



QUICK-FIX



SWING DOOR CABINET

A-553VL-91-G132

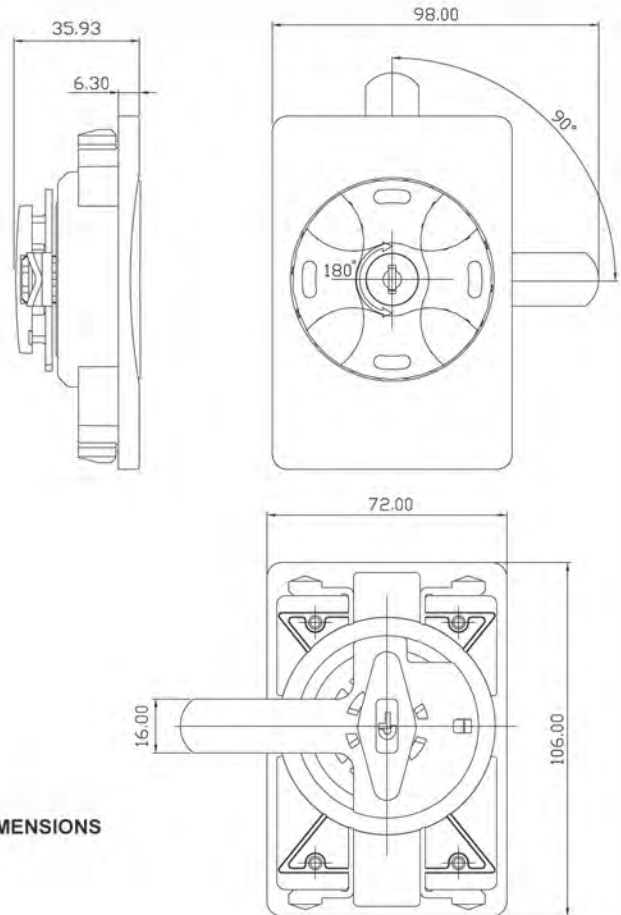
FOR 0.8-1mm METAL THICKNESS

SPECIFICATIONS

- QUICK-FIX LOCK
- PLASTIC FLUSH HANDLE CAM LOCK WITH CAM TYPE G132
- KEY REMOVABLE IN LOCKED & UNLOCKED POSITIONS
- AVAILABLE IN MASTER KEY & NON-MASTER KEY SYSTEMS
- REMOVABLE CORE SYSTEM

SET INCLUDES

- 1 PLASTIC FLUSH HANDLE HOUSING
- 1 CYLINDER CORE
- 2 KEYS
- 1 TYPE G132 CAM



DIMENSIONS

ORDERING DETAILS

CORE SYSTEM	MASTER KEY SYSTEM	MASTER GROUP	MODEL	FINISH	CAM / LEVER NO.	KEY SHAPE	KEYWAY	LOGO
*SEE CORE SYSTEM SECTION	A NON-MASTER AM MASTER AK MAIN MASTER AG GRAND MASTER *SEE MASTER KEY SYSTEMS SECTION	1-50	553VL	91 BLACK	G132 *SEE CAM / LEVER SECTION	*SEE CORE SYSTEM SECTION	*SEE MASTER KEY SYSTEMS SECTION	CL

EXAMPLES:

CL13-AM1-553VL-91-G132-K018-91-CC-CL

PLASTIC FLUSH HANDLE CAM LOCK WITH CAM TYPE G132, CL13 CYLINDER CORE MODEL, GROUP 1 MASTER KEY SYSTEM, KEYS WITH CAP, CC KEYWAY

CL33-A-553VL-91-G132-K056-91-GA-CL

PLASTIC FLUSH HANDLE CAM LOCK WITH CAM TYPE G132, CL33 CYLINDER CORE MODEL, NON-MASTER KEY SYSTEM, FOLDING KEYS, GA KEYWAY



METAL FURNITURE LOCKS



The Lock from Lock Experts

4-IN-1
SYSTEM

2000
KEY CHANGES

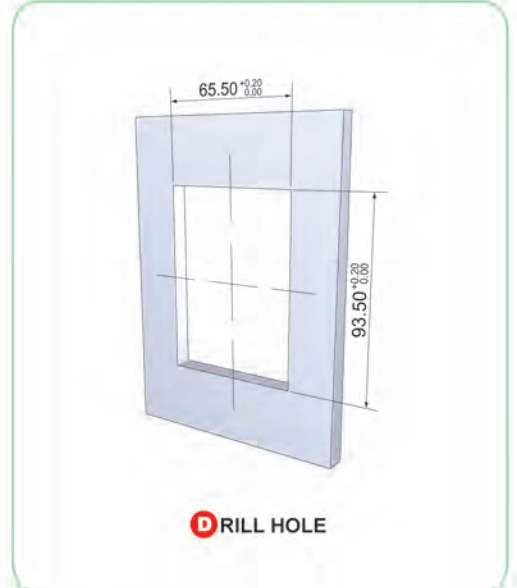
MASTER
KEY SYSTEM

REMOVABLE
CORE SYSTEM

KEY
IS OPTIONAL



SWING DOOR CABINET





The Lock from Lock Experts

METAL FURNITURE LOCKS

4-IN-1 SYSTEM

2000 KEY CHANGES

MASTER KEY SYSTEM

REMOVABLE CORE SYSTEM

KEY IS OPTIONAL



SYSTEM



INSTALLATION INSTRUCTIONS FOR A-553-G132 USING OUR SPECIAL (SUPPLIED) TOOL

1 INSERT LOCK INTO THE FIXING HOLE AS IN THIS DRAWING

2 BE SURE TO PUSH THE LOCK UPWARD BEFORE PUSHING IN BOTTOM PART PUSH IN THE LOCK UNTIL YOU HEAR THE SNAP SOUND

3 ALIGN THE UPPER AND LOWER RODS TO THEIR PLACES

4 INSERT THE UPPER AND LOWER RODS INTO THEIR PLACES

5 ALIGN THE BACK PART OF THE LOCK (THE PART WITH CL LOGO) WITH OUR SPECIAL (SUPPLIED) TOOL

6 PUSH UPWARD 60° TO THE LEFT UNTIL YOU HEAR THE CLICK SOUND CONFIRMING THAT THE RODS ARE LOCKED INTO THEIR POSITIONS

7 FINISHED (BACK)

8 FINISHED (FRONT)



The Lock from Lock Experts

METAL FURNITURE LOCKS

4-IN-1 SYSTEM

2000 KEY CHANGES

MASTER KEY SYSTEM

REMOVABLE CORE SYSTEM

KEY IS OPTIONAL



SWING DOOR CABINET



QUICK-FIX

A-554R-04-G320

FOR 0.6-1mm METAL THICKNESS

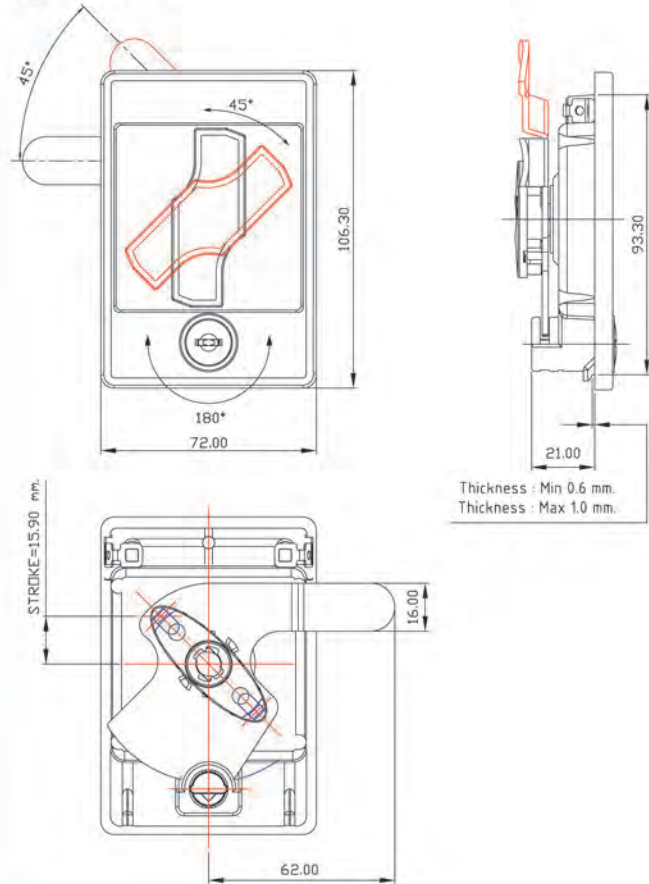
SPECIFICATIONS

- QUICK-FIX
- FLUSH HANDLE CAM LOCK WITH CAM TYPE G320
- ALUMINUM HOUSING (BLACK PLATED)
- ALUMINUM HANDLE (CHROME PLATED)
- KEY REMOVABLE IN LOCKED & UNLOCKED POSITIONS
- AVAILABLE IN MASTER KEY & NON-MASTER KEY SYSTEMS
- REMOVABLE CORE SYSTEM

SET INCLUDES

- 1 FLUSH HANDLE CAM LOCK HOUSING
- 1 CYLINDER CORE
- 2 KEYS
- 1 CAM TYPE G320

DIMENSIONS



ORDERING DETAILS

CORE SYSTEM	MASTER KEY SYSTEM	MASTER GROUP	MODEL	FINISH	CAM / LEVER NO.	KEY SHAPE	KEYWAY	LOGO
*SEE CORE SYSTEM SECTION	A NON-MASTER AM MASTER AK MAIN MASTER *SEE MASTER KEY SYSTEMS SECTION	1-50	554R	04 BLACK E.D.P.	G320 *SEE CAM / LEVER SECTION	*SEE CORE SYSTEM SECTION	*SEE MASTER KEY SYSTEMS SECTION	CL

EXAMPLES:

CL13-AM3-554R-04-G320-K080-91-CC-CL

FLUSH HANDLE CAM LOCK WITH CAM TYPE G320, CL13 CYLINDER CORE MODEL, GROUP 3 MASTER KEY SYSTEM, FOLDING KEYS, CC KEYWAY

CL33-A-554R-04-G320-K054-91-GA-CL

FLUSH HANDLE CAM LOCK WITH CAM TYPE G320, CL33 CYLINDER CORE MODEL, NON-MASTER KEY SYSTEM, KEYS WITH CAP, GA KEYWAY



The Lock from Lock Experts

METAL FURNITURE LOCKS

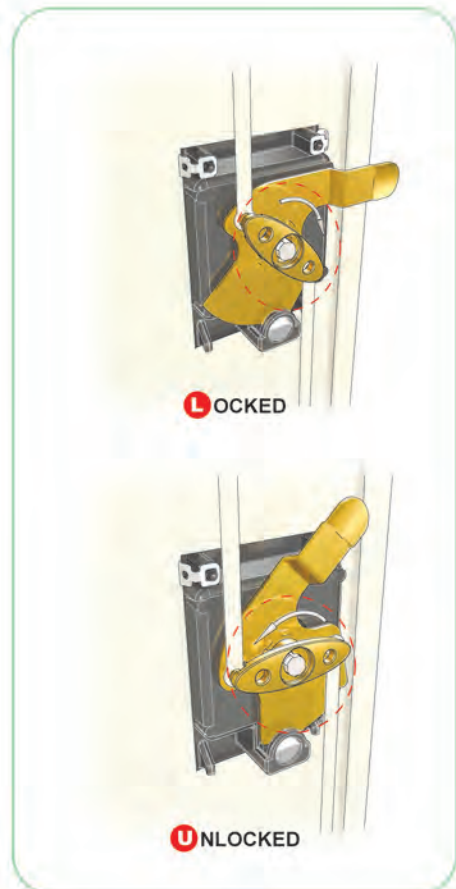
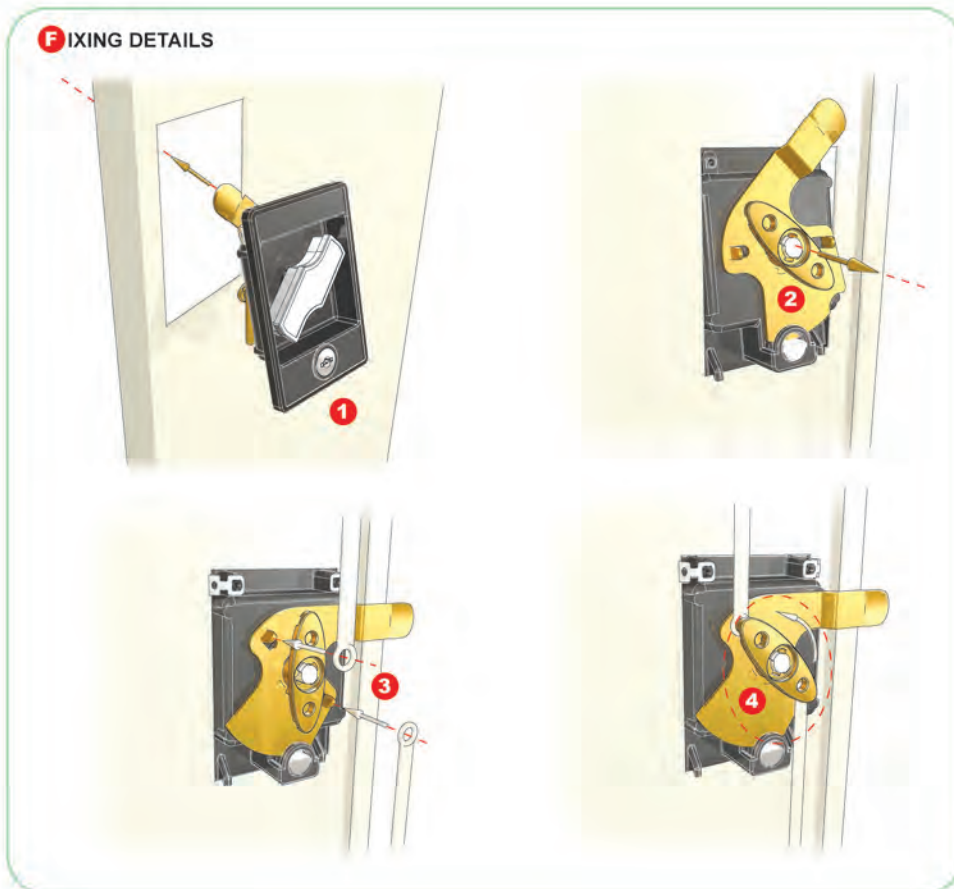
4-IN-1 SYSTEM

2000 KEY CHANGES

MASTER KEY SYSTEM

REMOVABLE CORE SYSTEM

KEY IS OPTIONAL





The Lock from Lock Experts

METAL FURNITURE LOCKS

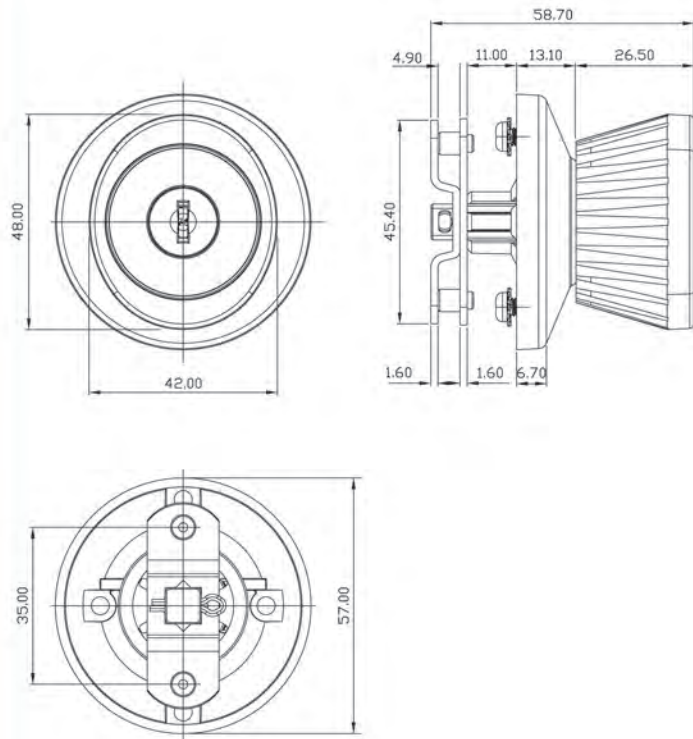


SYSTEM



SWING DOOR CABINET

DIMENSIONS



A-555-04-C13-J9Z-R-TYPE A (L-90)

A-555-04-C13-K3Z-R-TYPE B (R-90)

A-555-04-C13-J93-R-TYPE C (L-180)

A-555-04-C13-K39-R-TYPE D (R-180)

SPECIFICATIONS

- SWING DOOR CABINET
- KEY REMOVABLE IN LOCKED & UNLOCKED POSITIONS
- AVAILABLE IN MASTER KEY & NON-MASTER KEY SYSTEMS
- REMOVABLE CORE SYSTEM

SET INCLUDES

- 1 PLASTIC FLUSH HANDLE HOUSING
- 1 CYLINDER CORE
- 2 KEYS
- 1 TYPE C13 CAM

ORDERING DETAILS

CORE SYSTEM	MASTER KEY SYSTEM	MASTER GROUP	MODEL	FINISH	CAM / LEVER NO.	TURNING DIRECTION
*SEE CORE SYSTEM SECTION	A NON-MASTER AM MASTER AK MAIN MASTER AG GRAND MASTER *SEE MASTER KEY SYSTEMS SECTION	1-50	555	04 BLACK	C13 *SEE CAM / LEVER SECTION	J CLOCKWISE K COUNTERCLOCKWISE
FROM LOCKED POSITION	TO UNLOCKED POSITION	REMOVAL OF KEY WHEN UNLOCKED	TYPE	KEY SHAPE	KEYWAY	LOGO
1-Z Y X 9 8 7 6	Z 1 2 3 4 5	R REMOVABLE N NOTREMOVABLE	TYPE A (L90) TYPE B (R90) TYPE C (L180) TYPE D (R180)	*SEE CORE SYSTEM SECTION	*SEE MASTER KEY SYSTEMS SECTION	CL

EXAMPLES:

CL13-AM1-555-04-C13-J9Z-R-TYPE A (L90)-K079-91-CC-CL

PLASTIC FLUSH HANDLE CAM LOCK WITH CAM TYPE C13, CL13 CYLINDER CORE MODEL, BLACK FINISH, 90 DEGREE CLOCKWISE SWING ANGEL, FROM 9 TO Z POSITION, GROUP 1 MASTER KEY SYSTEM, TYPE A (L90), KEYS WITH CAP, CC KEYWAY

CL33-A-555-04-C13-K39-R-TYPE D (R180)-K056-91-GA-CL

PLASTIC FLUSH HANDLE CAM LOCK WITH CAM TYPE C13, CL33 CYLINDER CORE MODEL, BLACK FINISH, 180 DEGREE COUNTERCLOCKWISE SWING ANGEL, FROM 3 TO 9 POSITION, NON-MASTER KEY SYSTEM, TYPE D (R180), FOLDING KEYS, GA KEYWAY



The Lock from Lock Experts

METAL FURNITURE LOCKS

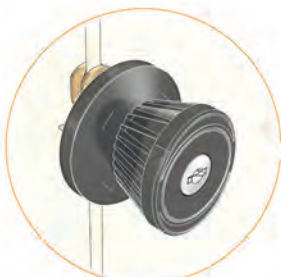
4-IN-1
SYSTEM

2000
KEY CHANGES

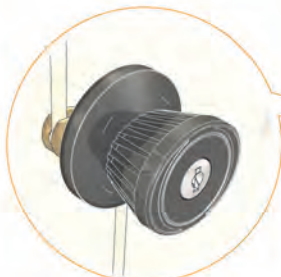
MASTER
KEY SYSTEM

REMOVABLE
CORE SYSTEM

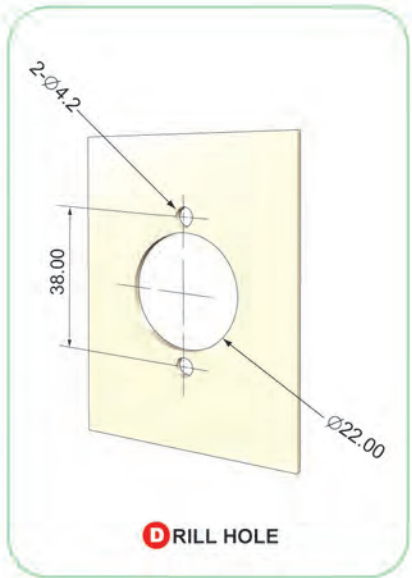
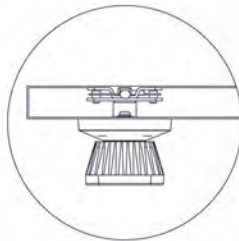
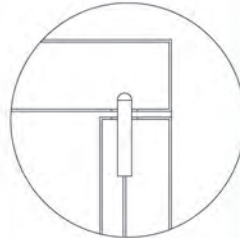
KEY
IS OPTIONAL



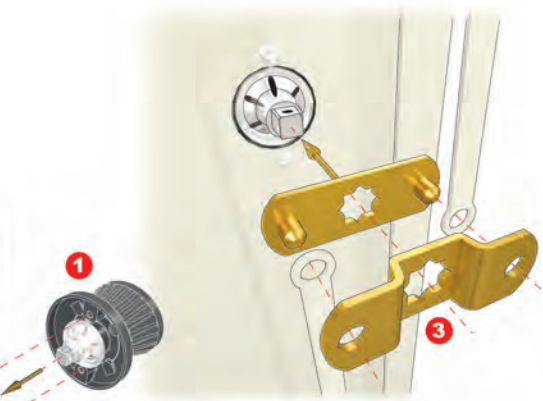
LOCKED



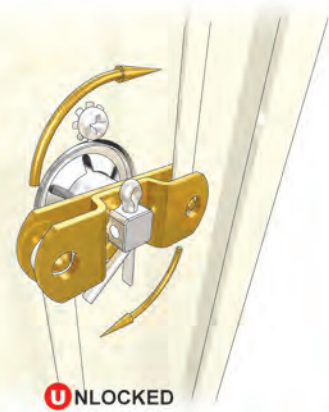
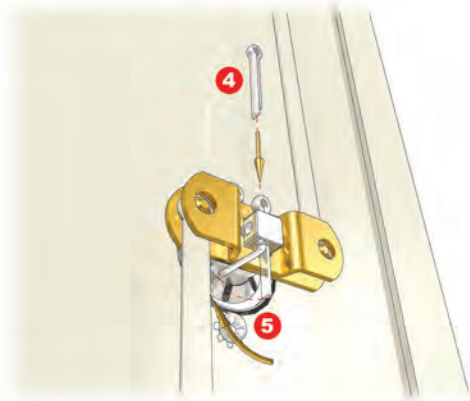
UNLOCKED



FIXING DETAILS



LOCKED



UNLOCKED



The Lock from Lock Experts

METAL FURNITURE LOCKS

4-IN-1 SYSTEM

2000 KEY CHANGES

MASTER KEY SYSTEM

REMOVABLE CORE SYSTEM

KEY IS OPTIONAL



SWING DOOR CABINET

A-556-91-G132-J9Z-R

QUICK-FIX



FOR 0.8-1.2mm METAL THICKNESS

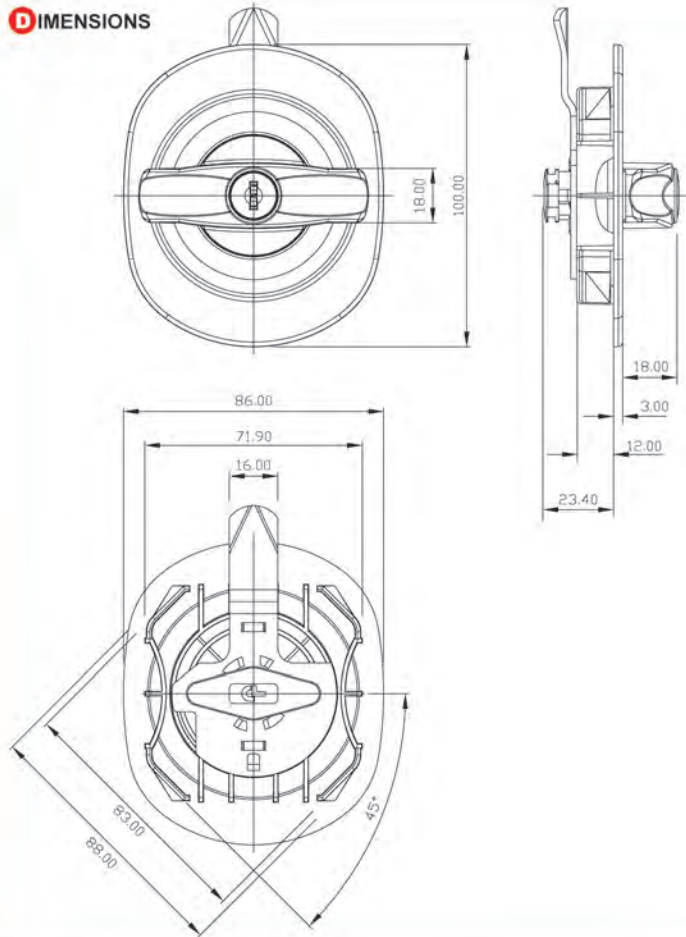
SPECIFICATIONS

- QUICK-FIX LOCK
- FLUSH HANDLE CAM LOCK WITH CAM TYPE G132
- PLASTIC DIE CAST HOUSING (BLACK PLATED)
- ZINC ALLOY DIE CAST HANDLE (CHROME PLATED)
- KEY REMOVABLE IN LOCKED & UNLOCKED POSITIONS
- AVAILABLE IN MASTER KEY & NON-MASTER KEY SYSTEMS
- REMOVABLE CORE SYSTEM

SET INCLUDES

- 1 FLUSH HANDLE HOUSING
- 1 CYLINDER CORE
- 2 KEYS
- 1 TYPE G132 CAM

DIMENSIONS



ORDERING DETAILS

CORE SYSTEM	MASTER KEY SYSTEM	MASTER GROUP	MODEL	FINISH	CAM / LEVER NO.	TURNING DIRECTION
*SEE CORE SYSTEM SECTION	A NON-MASTER AM MASTER AK MAIN MASTER AG GRAND MASTER *SEE MASTER KEY SYSTEMS SECTION	1-50	.556	91 BLACK	G132 *SEE CAM / LEVER SECTION	J CLOCKWISE K COUNTERCLOCKWISE
FROM LOCKED POSITION	TO UNLOCKED POSITION	REMOVAL OF KEY WHEN UNLOCKED	KEY SHAPE	KEYWAY	LOGO	
1-Z X 9 8 7	Z 1 2 3 4 5 6	R REMOVABLE N NOTREMOVABLE	*SEE CORE SYSTEM SECTION	*SEE MASTER KEY SYSTEMS SECTION	CL	

EXAMPLES:

CL13-AM3-556-91-G132-J9Z-R-K080-91-CC-CL

FLUSH HANDLE CAM LOCK WITH CAM TYPE G132, CL13 CYLINDER CORE MODEL, BLACK FINISH, 90 DEGREE CLOCKWISE SWING ANGLE, FROM 9 TO Z POSITION, GROUP 3 MASTER KEY SYSTEM, FOLDING KEYS, CC KEYWAY

CL33-A-556-91-G132-J9Z-R-K054-91-GA-CL

FLUSH HANDLE CAM LOCK WITH CAM TYPE G132, CL33 CYLINDER CORE MODEL, BLACK FINISH, 90 DEGREE CLOCKWISE SWING ANGLE, FROM 9 TO Z POSITION, NON MASTER KEY SYSTEM, FOLDING KEYS, CC KEYWAY



The Lock from Lock Experts

METAL FURNITURE LOCKS

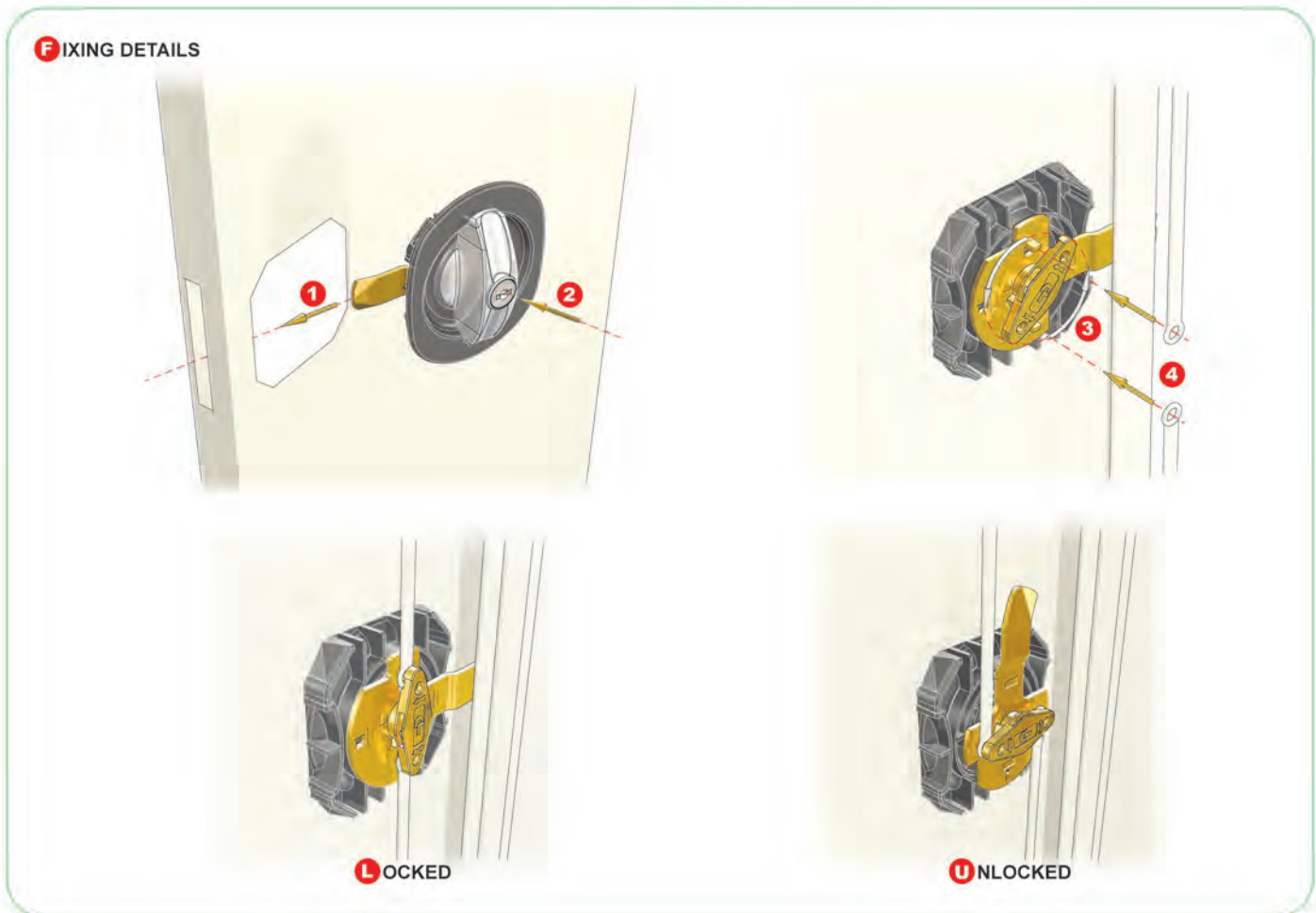
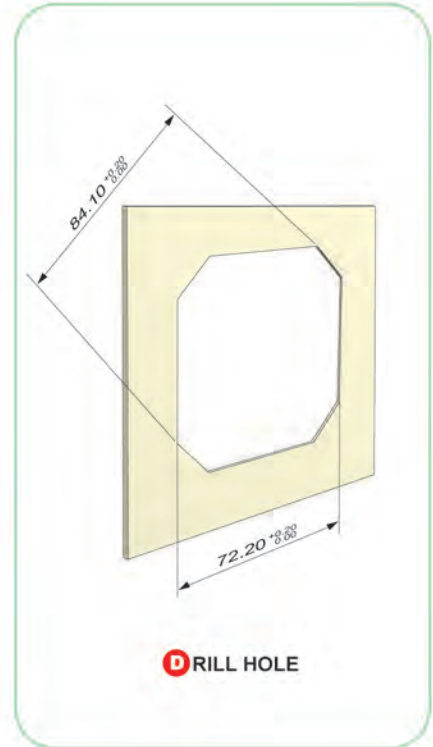
4-IN-1
SYSTEM

2000
KEY CHANGES

MASTER
KEY SYSTEM

REMOVABLE
CORE SYSTEM

KEY
IS OPTIONAL





The Lock from Lock Experts

METAL FURNITURE LOCKS

4-IN-1 SYSTEM

2000 KEY CHANGES

MASTER KEY SYSTEM

REMOVABLE CORE SYSTEM

KEY IS OPTIONAL



A-557-22-98-G299

QUICK-FIX



LOCKER HANDLE LOCK



FOR 0.6-0.8mm METAL THICKNESS

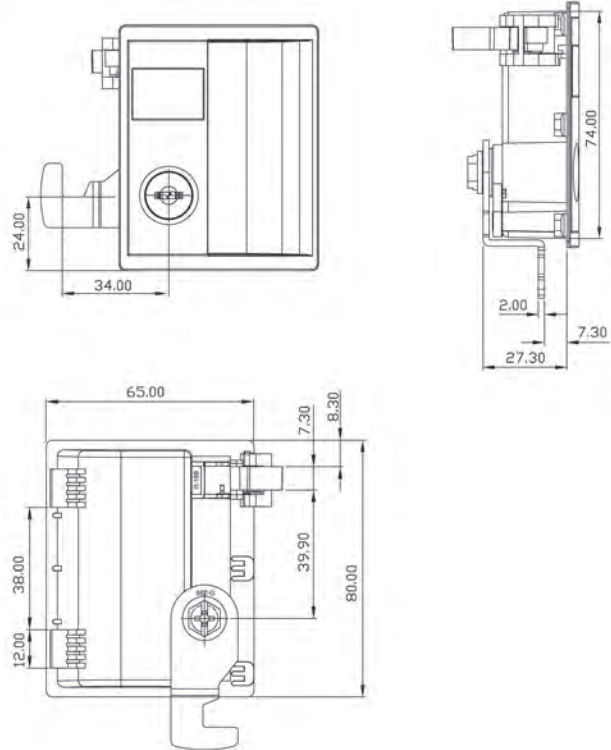
SPECIFICATIONS

- QUICK-FIX LOCK
- LOCKER HANDLE LOCK
- 90° ROTARY CAM MOVEMENT
- KEY REMOVABLE IN LOCKED & UNLOCKED POSITIONS
- AVAILABLE IN MASTER KEY & NON-MASTER KEY SYSTEMS
- REMOVABLE CORE SYSTEM

SET INCLUDES

- 1 HANDLE LOCK HOUSING
- 1 CYLINDER CORE
- 2 KEYS
- 1 TYPE G299 CAM

DIMENSIONS



ORDERING DETAILS

CORE SYSTEM	MASTER KEY SYSTEM	MASTER GROUP	MODEL	FINISH	CAM / LEVER NO.	TURNING DIRECTION
*SEE CORE SYSTEM SECTION	A NON-MASTER AM MASTER AK MAIN MASTER AG GRAND MASTER *SEE MASTER KEY SYSTEMS SECTION	1-50	557	98 CREAM	G299 *SEE CAM / LEVER SECTION	J CLOCKWISE K COUNTERCLOCKWISE
FROM LOCKED POSITION	TO UNLOCKED POSITION	REMOVAL OF KEY WHEN UNLOCKED	KEY SHAPE	KEYWAY	LOGO	
1-Z X 9 8 7 6	Z 1 2 3 4 5	R REMOVABLE N NOTREMOVABLE	*SEE CORE SYSTEM SECTION	*SEE MASTER KEY SYSTEMS SECTION	CL	

EXAMPLES:

CL13-AM3-557-22-98-G299-K96-R-K080-91-CC-CL

FLUSH HANDLE CAM LOCK WITH CAM TYPE G299, CL13 CYLINDER CORE MODEL, CREAM FINISH, 90 DEGREE COUNTERCLOCKWISE SWING ANGEL, FROM 9 TO 6 POSITION, GROUP 3 MASTER KEY SYSTEM, FOLDING KEYS, CC KEYWAY

CL33-A-557-22-98-G299-K96-R-K054-91-GA-CL

FLUSH HANDLE CAM LOCK WITH CAM TYPE G299, CL33 CYLINDER CORE MODEL, CREAM FINISH, 90 DEGREE COUNTERCLOCKWISE SWING ANGEL, FROM 9 TO 6 POSITION, NON MASTER KEY SYSTEM, FOLDING KEYS, CC KEYWAY



The Lock from Lock Experts

METAL FURNITURE LOCKS

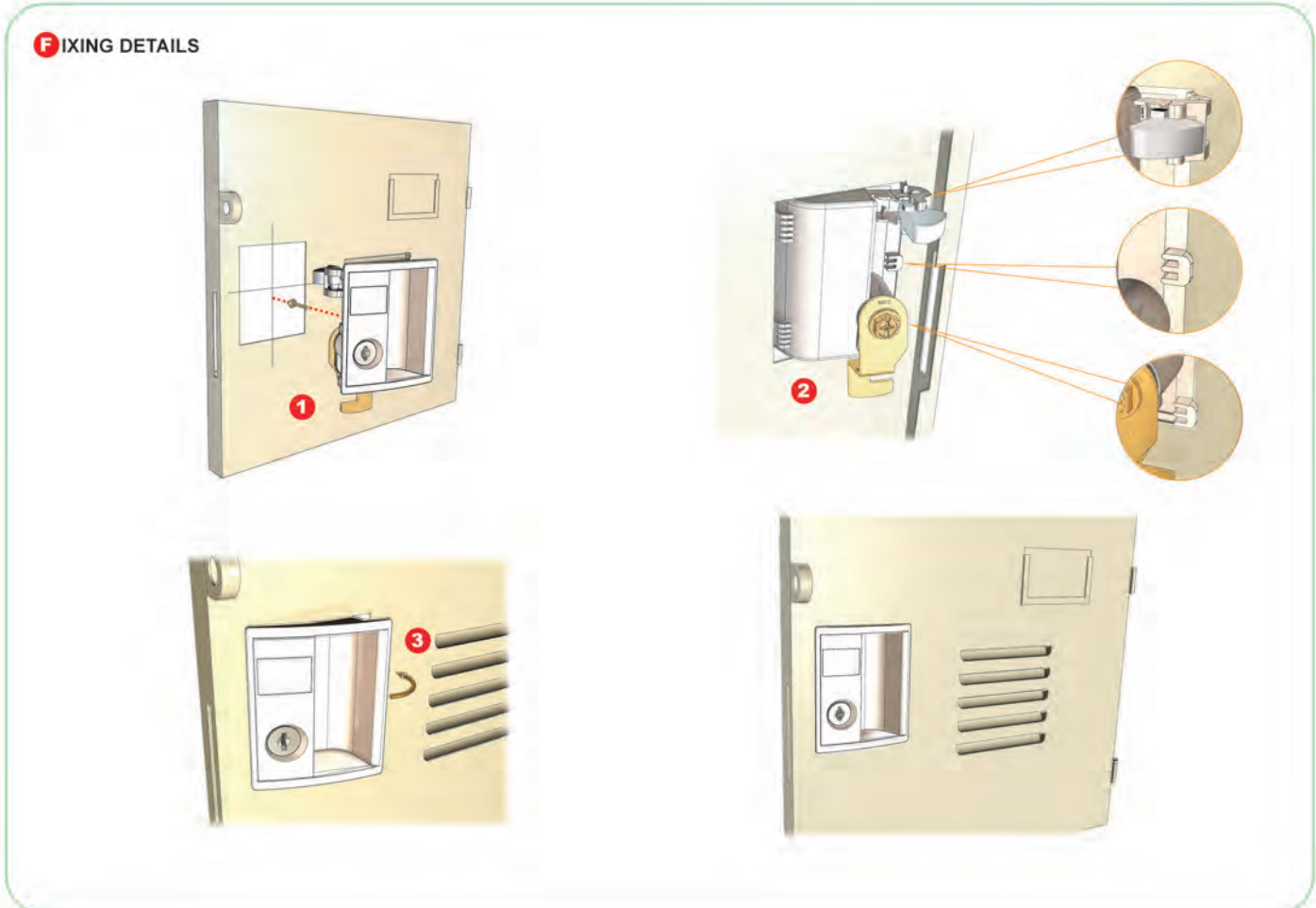
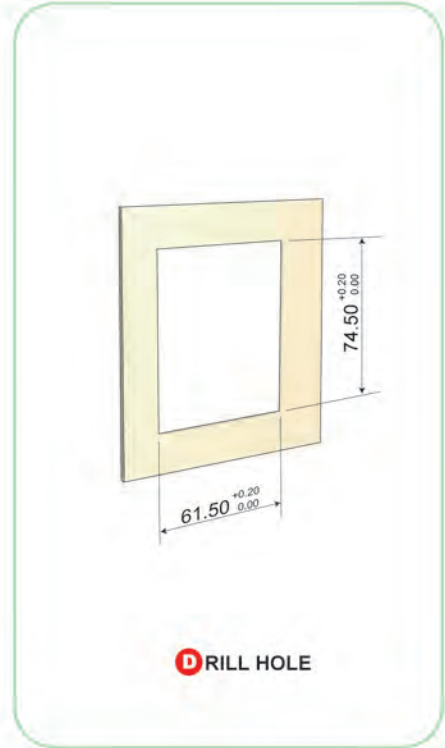
4-IN-1
SYSTEM

2000
KEY CHANGES

MASTER
KEY SYSTEM

REMOVABLE
CORE SYSTEM

KEY
IS OPTIONAL





The Lock from Lock Experts

METAL FURNITURE LOCKS

4-IN-1 SYSTEM

2000 KEY CHANGES

MASTER KEY SYSTEM

REMOVABLE CORE SYSTEM

KEY IS OPTIONAL

SYSTEM



SLIDING DOOR LOCK

A-563-01



U-CLIP

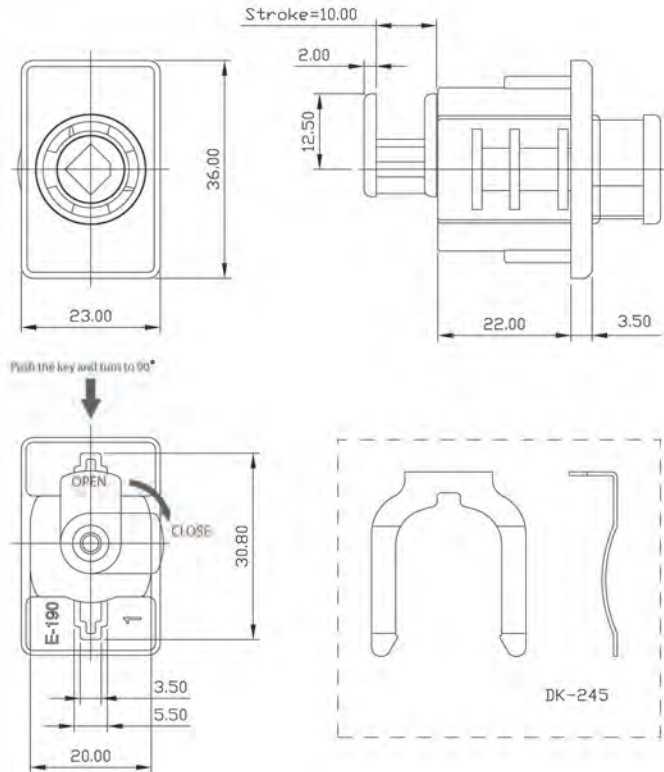
SPECIFICATIONS

- SLIDING DOOR LOCK WITH HOOK
- ZINC ALLOY DIE CAST
- KEY REMOVABLE IN LOCKED & UNLOCKED POSITIONS
- PUSH-IN FIXING
- 90° KEY ROTATION
- AVAILABLE IN MASTER KEY & NON-MASTER KEY SYSTEMS
- REMOVABLE CORE SYSTEM

SET INCLUDES

- 1 HOUSING
- 1 CYLINDER CORE
- 2 KEYS

DIMENSIONS



ORDERING DETAILS

CORE SYSTEM	MASTER KEY SYSTEM	MASTER GROUP	MODEL	FINISH	KEY SHAPE	KEYWAY	LOGO
*SEE CORE SYSTEM SECTION	A NON-MASTER AM MASTER AK MAIN MASTER AG GRAND MASTER *SEE MASTER KEY SYSTEMS SECTION	1-50	563	01 NICKEL 03 CHROME	*SEE CORE SYSTEM SECTION	*SEE MASTER KEY SYSTEMS SECTION	CL

EXAMPLES:

CL13-AM1-563-03-K080-91-CC-CL

SLIDING DOOR LOCK, CL13 CYLINDER CORE MODEL, CHROME FINISH, GROUP 1 MASTER KEY SYSTEM, FOLDING KEYS, CC KEYWAY

CL33-A-563-01-K056-91-GA-CL

SLIDING DOOR LOCK, CL33 CYLINDER CORE MODEL, NICKEL FINISH, NON-MASTER KEY SYSTEM, FOLDING KEYS, GA KEYWAY



The Lock from Lock Experts

METAL FURNITURE LOCKS

4-IN-1
SYSTEM

2000
KEY CHANGES

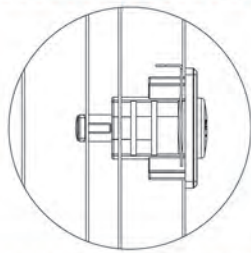
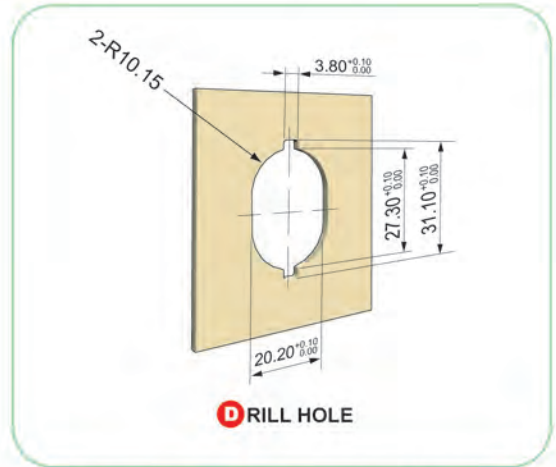
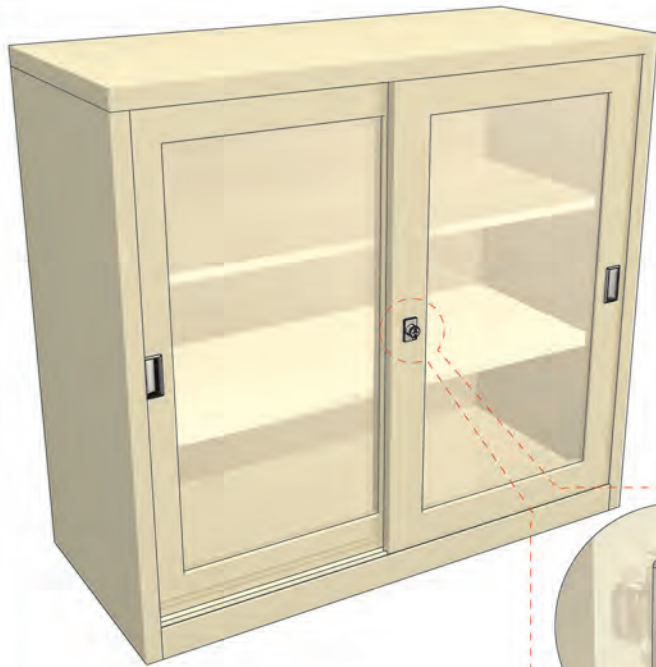
MASTER
KEY SYSTEM

REMOVABLE
CORE SYSTEM

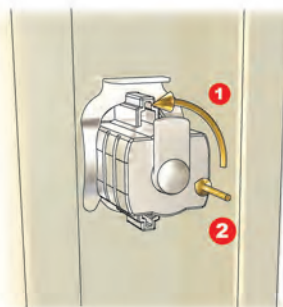
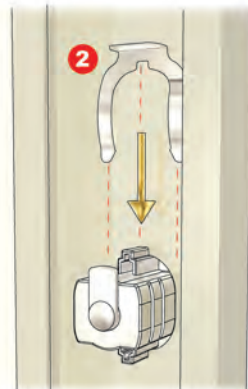
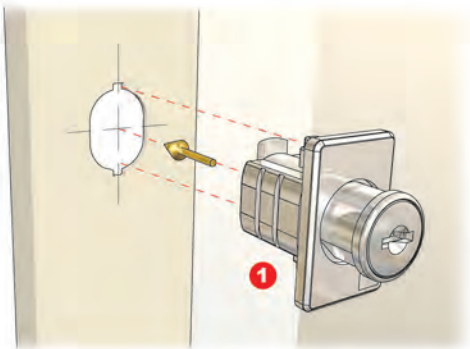
KEY
IS OPTIONAL



SYSTEM



FIXING DETAILS



UNLOCKED



LOCKED