



# METAL FURNITURE LOCKS



The Lock from Lock Experts

- 4-IN-1 SYSTEM
- 2000 KEY CHANGES
- MASTER KEY SYSTEM
- KEY IS OPTIONAL



QUICK-FIX

B-201Q-20-01-DK033-JZ3-R

B-201Q-20-01-DK033-JZ6-R



## FILING CABINET

(2 DRAWERS, 3 DRAWERS, 4 DRAWERS, AND MORES)

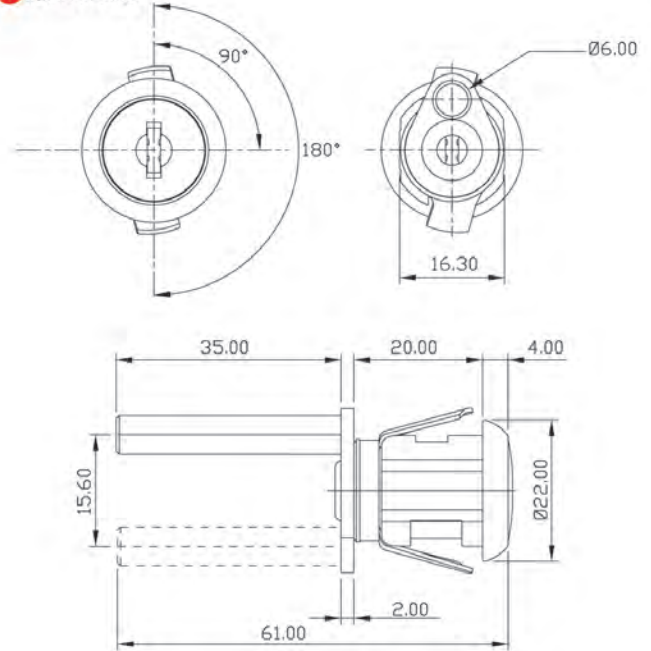
### SPECIFICATIONS

- QUICK-FIX LOCK
- 90° OR 180° ROTARY PIN MOVEMENT
- KEY REMOVABLE IN LOCKED & UNLOCKED POSITIONS
- AVAILABLE IN MASTER KEY & NON-MASTER KEY SYSTEMS
- NON-REMOVABLE CORE SYSTEM
- ZINC ALLOY DIE CAST

### SET INCLUDES

- 1 LOCK HOUSING
- 1 CYLINDER CORE
- 2 KEYS

### DIMENSIONS



### ORDERING DETAILS

CORE SYSTEM	MASTER KEY SYSTEM	MASTER GROUP	MODEL	CYLINDER HOUSING LENGTH	FINISH	CAM / LEVER NO.	TURNING DIRECTION
*SEE CORE SYSTEM SECTION	B NON-MASTER BM MASTER BK MAIN MASTER BG GRAND MASTER *SEE MASTER KEY SYSTEMS SECTION	1-50	201Q WING CLIP INSTALLATION	20mm	01 NICKEL 03 CHROME	DK033	J CLOCKWISE K COUNTERCLOCKWISE
FROM LOCKED POSITION	TO UNLOCKED POSITION	REMOVAL OF KEY WHEN UNLOCKED	KEY SHAPE	KEYWAY	LOGO	EXAMPLES: CL13-BM4-201Q-20-01-DK033-JZ6-R-K018-91-CC-CL QUICK-FIX LOCK FOR FILING CABINET, CL13 CYLINDER CORE MODEL, 20mm CYLINDER HOUSING LENGTH, NICKEL FINISH, 180 DEGREE CLOCKWISE SWING ANGLE, FROM Z TO 6 POSITION, GROUP 4 MASTER KEY SYSTEM, KEYS WITH CAP, CC KEYWAY CL13-B-201Q-20-03-DK033-JZ6-R-K034-91-CC-CL QUICK-FIX LOCK FOR FILING CABINET, CL13 CYLINDER CORE MODEL, 20mm CYLINDER HOUSING LENGTH, CHROME FINISH, 180 DEGREE CLOCKWISE SWING ANGLE, FROM Z TO 6 POSITION, NON-MASTER KEY SYSTEM, FOLDING KEYS, CC KEYWAY	
1-Z X 9 8 7 6	Y Z 1 2 3 4 5	R REMOVABLE	*SEE CORE SYSTEM SECTION	*SEE MASTER KEY SYSTEMS SECTION	CL		



The Lock from Lock Experts

# METAL FURNITURE LOCKS

4-IN-1 SYSTEM

2000 KEY CHANGES

MASTER KEY SYSTEM

KEY IS OPTIONAL



B-202Q-20-01-DK033-JZ3-R

B-202Q-20-01-DK033-JZ6-R



QUICK-FIX



## FILING CABINET

(2 DRAWERS, 3 DRAWERS, 4 DRAWERS, AND MORES)

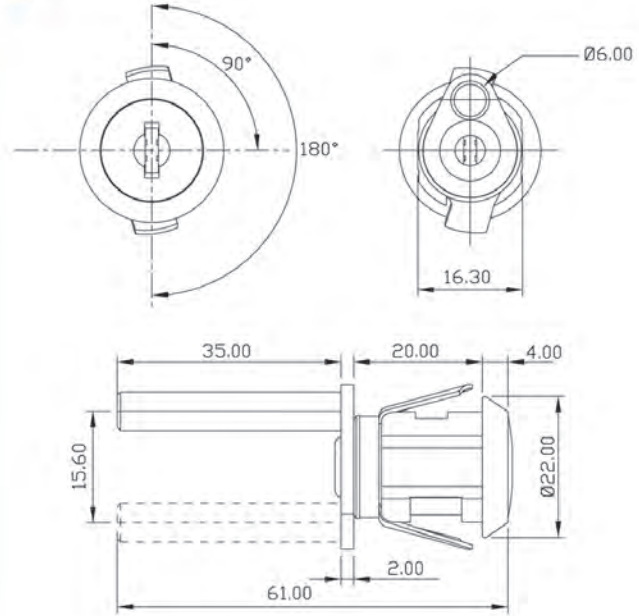
### SPECIFICATIONS

- QUICK-FIX LOCK
- 90° OR 180° ROTARY PIN MOVEMENT
- KEY REMOVABLE IN LOCKED & UNLOCKED POSITIONS
- AVAILABLE IN MASTER KEY & NON-MASTER KEY SYSTEMS
- NON-REMOVABLE CORE SYSTEM
- ZINC ALLOY DIE CAST

### SET INCLUDES

- 1 LOCK HOUSING
- 1 CYLINDER CORE
- 2 KEYS

### DIMENSIONS



### ORDERING DETAILS

CORE SYSTEM	MASTER KEY SYSTEM	MASTER GROUP	MODEL	CYLINDER HOUSING LENGTH	FINISH	CAM / LEVER NO.	TURNING DIRECTION
*SEE CORE SYSTEM SECTION	B NON-MASTER BM MASTER BK MAIN MASTER BG GRAND MASTER *SEE MASTER KEY SYSTEMS SECTION	1-50	202Q WING CLIP INSTALLATION	20mm	01 NICKEL 03 CHROME	DK033	J CLOCKWISE K COUNTERCLOCKWISE
FROM LOCKED POSITION	TO UNLOCKED POSITION	REMOVAL OF KEY WHEN UNLOCKED	KEY SHAPE	KEYWAY	LOGO	EXAMPLES: CL13-B-202Q-20-03-DK033-JZ6-R-K034-91-CC-CL QUICK-FIX LOCK FOR FILING CABINET, CL13 CYLINDER CORE MODEL, 20mm CYLINDER HOUSING LENGTH, CHROME FINISH, 180 DEGREE CLOCKWISE SWING ANGLE, FROM Z TO 6 POSITION, NON-MASTER KEY SYSTEM, FOLDING KEYS, CC KEYWAY CL13-BM1-202Q-20-01-DK033-JZ6-R-K018-91-CC-CL QUICK-FIX LOCK FOR FILING CABINET, CL13 CYLINDER CORE MODEL, 20mm CYLINDER HOUSING LENGTH, NICKEL FINISH, 180 DEGREE CLOCKWISE SWING ANGLE, FROM Z TO 6 POSITION, GROUP 1 MASTER KEY SYSTEM, KEYS WITH CAP, CC KEYWAY	
1-Z X 9 8 7 6	Y Z 1 2 3 4 5	R REMOVABLE	*SEE CORE SYSTEM SECTION	*SEE MASTER KEY SYSTEMS SECTION	CL		



# METAL FURNITURE LOCKS



The Lock from Lock Experts

- 4-IN-1  
SYSTEM
- 2000  
KEY CHANGES
- MASTER  
KEY SYSTEM
- KEY  
IS OPTIONAL



**B-203Q-20-01-DK033-JZ3-R**

**B-203Q-20-01-DK033-JZ6-R**



QUICK-FIX



## FILING CABINET

(2 DRAWERS, 3 DRAWERS, 4 DRAWERS, AND MORES)

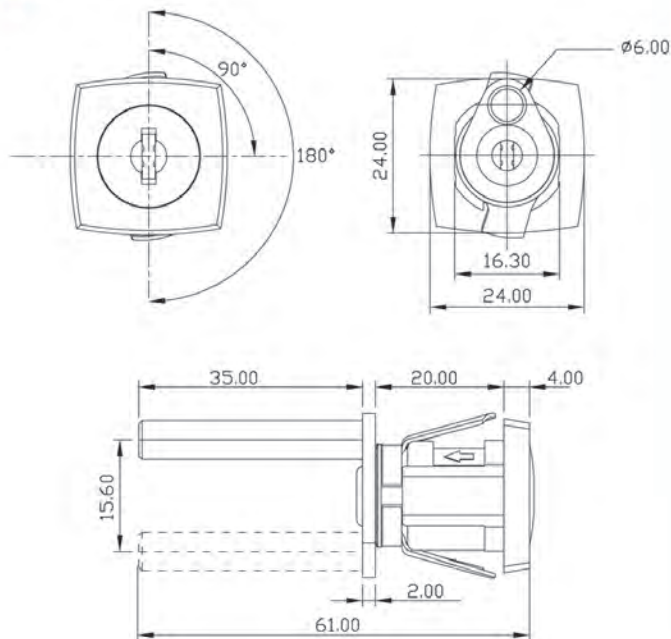
### SPECIFICATIONS

- QUICK-FIX LOCK
- 90° OR 180° ROTARY PIN MOVEMENT
- KEY REMOVABLE IN LOCKED & UNLOCKED POSITIONS
- AVAILABLE IN MASTER KEY & NON-MASTER KEY SYSTEMS
- NON-REMOVABLE CORE SYSTEM
- ZINC ALLOY DIE CAST

### SET INCLUDES

- 1 LOCK HOUSING
- 1 CYLINDER CORE
- 2 KEYS

### DIMENSIONS



### ORDERING DETAILS

CORE SYSTEM	MASTER KEY SYSTEM	MASTER GROUP	MODEL	CYLINDER HOUSING LENGTH	FINISH	CAM / LEVER NO.	TURNING DIRECTION
*SEE CORE SYSTEM SECTION	<b>B</b> NON-MASTER <b>BM</b> MASTER <b>BK</b> MAIN MASTER <b>BG</b> GRAND MASTER *SEE MASTER KEY SYSTEMS SECTION	1-50	203Q WING CLIP INSTALLATION	20mm	01 NICKEL 03 CHROME	DK033	<b>J</b> CLOCKWISE <b>K</b> COUNTERCLOCKWISE
FROM LOCKED POSITION	TO UNLOCKED POSITION	REMOVAL OF KEY WHEN UNLOCKED	KEY SHAPE	KEYWAY	LOGO	<b>EXAMPLES:</b> <b>CL13-BM2-203Q-20-01-DK033-JZ6-R-K018-91-CC-CL</b> QUICK-FIX LOCK FOR FILING CABINET, CL13 CYLINDER CORE MODEL, 20mm CYLINDER HOUSING LENGTH, NICKEL FINISH, 180 DEGREE CLOCKWISE SWING ANGLE, FROM Z TO 6 POSITION, GROUP 2 MASTER KEY SYSTEM, KEYS WITH CAP, CC KEYWAY <b>CL13-B-203Q-20-03-DK033-JZ6-R-K034-91-CC-CL</b> QUICK-FIX LOCK FOR FILING CABINET, CL13 CYLINDER CORE MODEL, 20mm CYLINDER HOUSING LENGTH, CHROME FINISH, 180 DEGREE CLOCKWISE SWING ANGLE, FROM Z TO 6 POSITION, NON-MASTER KEY SYSTEM, FOLDING KEYS, CC KEYWAY	
1-Z X 9 8 7 6	Z 1 2 3 4 5	R REMOVABLE	*SEE CORE SYSTEM SECTION	*SEE MASTER KEY SYSTEMS SECTION	CL		



The Lock from Lock Experts

# METAL FURNITURE LOCKS

- 4-IN-1 SYSTEM
- 2000 KEY CHANGES
- MASTER KEY SYSTEM
- KEY IS OPTIONAL



**B-204Q-20-01-DK033-JZ3-R**

**B-204Q-20-01-DK033-JZ6-R**



## FILING CABINET

(2 DRAWERS, 3 DRAWERS, 4 DRAWERS, AND MORES)

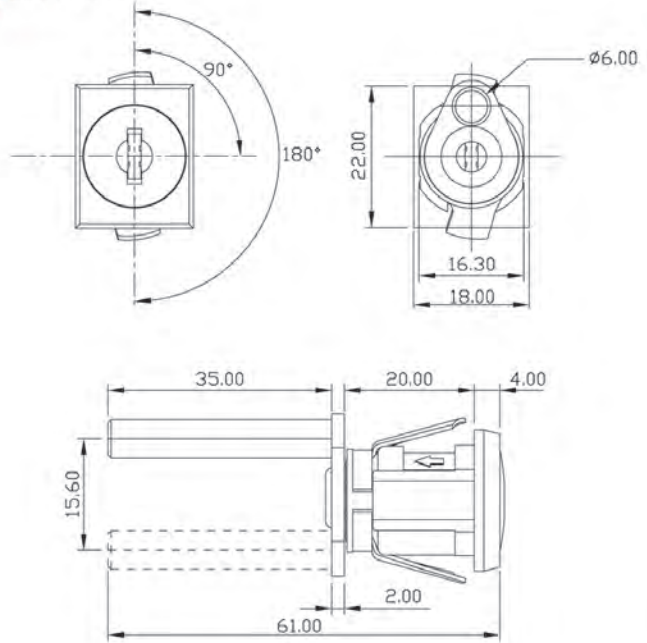
### SPECIFICATIONS

- QUICK-FIX LOCK
- 90° OR 180° ROTARY PIN MOVEMENT
- KEY REMOVABLE IN LOCKED & UNLOCKED POSITIONS
- AVAILABLE IN MASTER KEY & NON-MASTER KEY SYSTEMS
- NON-REMOVABLE CORE SYSTEM
- ZINC ALLOY DIE CAST

### SET INCLUDES

- 1 LOCK HOUSING
- 1 CYLINDER CORE
- 2 KEYS

### DIMENSIONS



### ORDERING DETAILS

CORE SYSTEM	MASTER KEY SYSTEM	MASTER GROUP	MODEL	CYLINDER HOUSING LENGTH	FINISH	CAM / LEVER NO.	TURNING DIRECTION
*SEE CORE SYSTEM SECTION	<b>B</b> NON-MASTER <b>BM</b> MASTER <b>BK</b> MAIN MASTER <b>BG</b> GRAND MASTER *SEE MASTER KEY SYSTEMS SECTION	1-50	204Q WING CLIP INSTALLATION	20mm	01 NICKEL 03 CHROME	DK033	<b>J</b> CLOCKWISE <b>K</b> COUNTERCLOCKWISE
FROM LOCKED POSITION	TO UNLOCKED POSITION	REMOVAL OF KEY WHEN UNLOCKED	KEY SHAPE	KEYWAY	LOGO	<b>EXAMPLES:</b> CL13-B-204Q-20-03-DK033-JZ5-R-K034-91-CC-CL QUICK-FIX LOCK FOR FILING CABINET, CL13 CYLINDER CORE MODEL, 20mm CYLINDER HOUSING LENGTH, CHROME FINISH, 180 DEGREE CLOCKWISE SWING ANGLE, FROM Z TO 6 POSITION, NON-MASTER KEY SYSTEM, FOLDING KEYS, CC KEYWAY CL13-BM1-204Q-20-01-DK033-JZ6-R-K018-91-CC-CL QUICK-FIX LOCK FOR FILING CABINET, CL13 CYLINDER CORE MODEL, 20mm CYLINDER HOUSING LENGTH, NICKEL FINISH, 180 DEGREE CLOCKWISE SWING ANGLE, FROM Z TO 6 POSITION, GROUP 1 MASTER KEY SYSTEM, KEYS WITH CAP, CC KEYWAY	
1-Z	X     Y     Z 9     1     2 8     3     4 7     5     6	R REMOVABLE	*SEE CORE SYSTEM SECTION	*SEE MASTER KEY SYSTEMS SECTION	CL		



# METAL FURNITURE LOCKS



The Lock from Lock Experts

4-IN-1 SYSTEM

2000 KEY CHANGES

MASTER KEY SYSTEM

KEY IS OPTIONAL



QUICK-FIX



## FILING CABINET

(2 DRAWERS, 3 DRAWERS, 4 DRAWERS, AND MORES)

B-205Q-20-01-DK033-JZ3-R

B-205Q-20-01-DK033-JZ6-R

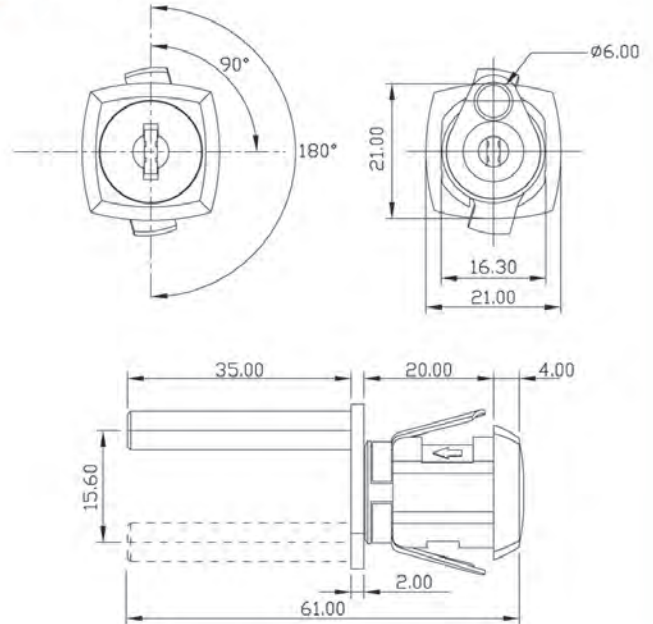
### SPECIFICATIONS

- QUICK-FIX LOCK
- 90° OR 180° ROTARY PIN MOVEMENT
- KEY REMOVABLE IN LOCKED & UNLOCKED POSITIONS
- AVAILABLE IN MASTER KEY & NON-MASTER KEY SYSTEMS
- NON-REMOVABLE CORE SYSTEM
- ZINC ALLOY DIE CAST

### SET INCLUDES

- 1 LOCK HOUSING
- 1 CYLINDER CORE
- 2 KEYS

### DIMENSIONS



### ORDERING DETAILS

CORE SYSTEM	MASTER KEY SYSTEM	MASTER GROUP	MODEL	CYLINDER HOUSING LENGTH	FINISH	CAM / LEVER NO.	TURNING DIRECTION
*SEE CORE SYSTEM SECTION	B NON-MASTER BM MASTER BK MAIN MASTER BG GRAND MASTER *SEE MASTER KEY SYSTEMS SECTION	1-50	205Q WING CLIP INSTALLATION	20mm	01 NICKEL 03 CHROME	DK033	J CLOCKWISE K COUNTERCLOCKWISE

FROM LOCKED POSITION	TO UNLOCKED POSITION	REMOVAL OF KEY WHEN UNLOCKED	KEY SHAPE	KEYWAY	LOGO
1-Z X 9 8 7 6	Y Z 1 2 3 4 5 6	R REMOVABLE	*SEE CORE SYSTEM SECTION	*SEE MASTER KEY SYSTEMS SECTION	CL

#### EXAMPLES:

**CL13-BM1-205Q-20-01-DK033-JZ6-R-K018-91-CC-CL**  
 QUICK-FIX LOCK FOR FILING CABINET, CL13 CYLINDER CORE MODEL, 20mm CYLINDER HOUSING LENGTH, NICKEL FINISH, 180 DEGREE CLOCKWISE SWING ANGLE, FROM Z TO 6 POSITION, GROUP 1 MASTER KEY SYSTEM, KEYS WITH CAP, CC KEYWAY

**CL13-B-205Q-20-03-DK033-JZ6-R-K034-91-CC-CL**  
 QUICK-FIX LOCK FOR FILING CABINET, CL13 CYLINDER CORE MODEL, 20mm CYLINDER HOUSING LENGTH, CHROME FINISH, 180 DEGREE CLOCKWISE SWING ANGLE, FROM Z TO 6 POSITION, NON-MASTER KEY SYSTEM, FOLDING KEYS, CC KEYWAY



The Lock from Lock Experts

# METAL FURNITURE LOCKS

4-IN-1 SYSTEM

2000 KEY CHANGES

MASTER KEY SYSTEM

KEY IS OPTIONAL

SYSTEM

**B**



QUICK-FIX

B-206Q-20-01-DK033-JZ3-R

B-206Q-20-01-DK033-JZ6-R



## FILING CABINET

(2 DRAWERS, 3 DRAWERS, 4 DRAWERS, AND MORES)

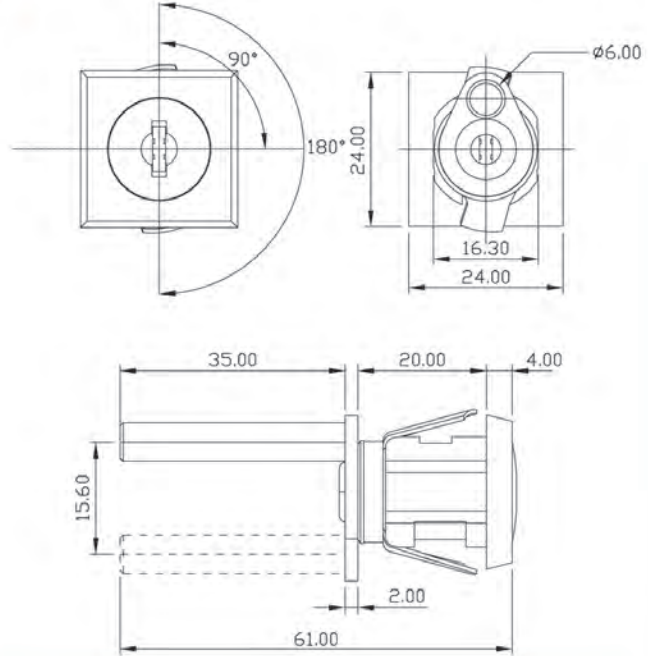
### SPECIFICATIONS

- QUICK-FIX LOCK
- 90° OR 180° ROTARY PIN MOVEMENT
- KEY REMOVABLE IN LOCKED & UNLOCKED POSITIONS
- AVAILABLE IN MASTER KEY & NON-MASTER KEY SYSTEMS
- NON-REMOVABLE CORE SYSTEM
- ZINC ALLOY DIE CAST

### SET INCLUDES

- 1 LOCK HOUSING
- 1 CYLINDER CORE
- 2 KEYS

### DIMENSIONS



### ORDERING DETAILS

CORE SYSTEM	MASTER KEY SYSTEM	MASTER GROUP	MODEL	CYLINDER HOUSING LENGTH	FINISH	CAM / LEVER NO.	TURNING DIRECTION
*SEE CORE SYSTEM SECTION	B NON-MASTER BM MASTER BK MAIN MASTER BG GRAND MASTER *SEE MASTER KEY SYSTEMS SECTION	1-50	206Q WING CLIP INSTALLATION	20mm	01 NICKEL 03 CHROME	DK033	J CLOCKWISE K COUNTERCLOCKWISE

FROM LOCKED POSITION	TO UNLOCKED POSITION	REMOVAL OF KEY WHEN UNLOCKED	KEY SHAPE	KEYWAY	LOGO
1-Z X 9 8 7 6	Z 1 2 3 4 5 6	R REMOVABLE	*SEE CORE SYSTEM SECTION	*SEE MASTER KEY SYSTEMS SECTION	CL

#### EXAMPLES:

CL13-B-206Q-20-03-DK033-JZ6-R-K034-91-CC-CL  
QUICK-FIX LOCK FOR FILING CABINET, CL13 CYLINDER CORE MODEL, 20mm CYLINDER HOUSING LENGTH, CHROME FINISH, 180 DEGREE CLOCKWISE SWING ANGLE, FROM Z TO 6 POSITION, NON-MASTER KEY SYSTEM, FOLDING KEYS, CC KEYWAY

CL13-BM1-206Q-20-01-DK033-JZ6-R-K018-91-CC-CL  
QUICK-FIX LOCK FOR FILING CABINET, CL13 CYLINDER CORE MODEL, 20mm CYLINDER HOUSING LENGTH, NICKEL FINISH, 180 DEGREE CLOCKWISE SWING ANGLE, FROM Z TO 6 POSITION, GROUP 1 MASTER KEY SYSTEM, KEYS WITH CAP, CC KEYWAY



# METAL FURNITURE LOCKS



The Lock from Lock Experts

- 4-IN-1  
SYSTEM
- 2000  
KEY CHANGES
- MASTER  
KEY SYSTEM
- KEY  
IS OPTIONAL



## FILING CABINET

(2 DRAWERS, 3 DRAWERS, 4 DRAWERS, AND MORES)

**B-531U-20-01-DK033-JZ6-R**



U-CLIP

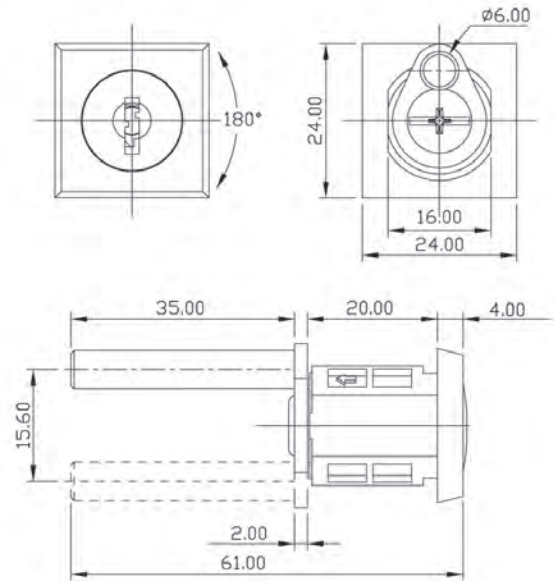
### SPECIFICATIONS

- MULTI-DRAWER LOCK WITH LOCKING PIN
- 180° ROTARY PIN MOVEMENT
- KEY REMOVABLE IN LOCKED & UNLOCKED POSITIONS
- AVAILABLE IN MASTER KEY & NON-MASTER KEY SYSTEMS
- ZINC ALLOY DIE CAST

### SET INCLUDES

- 1 LOCK HOUSING
- 1 CYLINDER CORE
- 2 KEYS
- 1 CLIP

### DIMENSIONS



### ORDERING DETAILS

CORE SYSTEM	MASTER KEY SYSTEM	MASTER GROUP	MODEL	CYLINDER HOUSING LENGTH	FINISH	CAM / LEVER NO.	TURNING DIRECTION
*SEE CORE SYSTEM SECTION	<b>B</b> NON-MASTER <b>BM</b> MASTER <b>BK</b> MAIN MASTER <b>BG</b> GRAND MASTER *SEE MASTER KEY SYSTEMS SECTION	1-50	531U U-CLIP INSTALLATION	20mm	<b>01</b> NICKEL <b>03</b> CHROME	DK033	<b>J</b> CLOCKWISE <b>K</b> COUNTERCLOCKWISE
FROM LOCKED POSITION	TO UNLOCKED POSITION	REMOVAL OF KEY WHEN UNLOCKED	KEY SHAPE	KEYWAY	LOGO		
1-Z	Y Z 1 2 X 9 3 8 4 7 5 6	R REMOVABLE	*SEE CORE SYSTEM SECTION	*SEE MASTER KEY SYSTEMS SECTION	CL		

#### EXAMPLES:

CL13-BM1-531U-20-03-DK033-JZ6-R-K034-91-CC-CL  
 MULTI-DRAWER LOCK WITH LOCKING PIN, U-CLIP INSTALLATION, CL13 CYLINDER CORE MODEL, 20mm CYLINDER HOUSING LENGTH, CHROME FINISH, 180 DEGREE CLOCKWISE SWING ANGLE, FROM Z TO 6 POSITION, GROUP 1 MASTER KEY SYSTEM, FOLDING KEYS, CC KEYWAY



The Lock from Lock Experts

# METAL FURNITURE LOCKS

- 4-IN-1  
SYSTEM
- 2000  
KEY CHANGES
- MASTER  
KEY SYSTEM
- KEY  
IS OPTIONAL



NUT  
U-CLIP



## FILING CABINET

(2 DRAWERS, 3 DRAWERS, 4 DRAWERS, AND MORE)

B-607(03)X-20-01-DK033-JZ3-R

B-607(03)X-20-01-DK033-JZ6-R

B-607(03)U-20-01-DK033-JZ3-R

B-607(03)U-20-01-DK033-JZ6-R

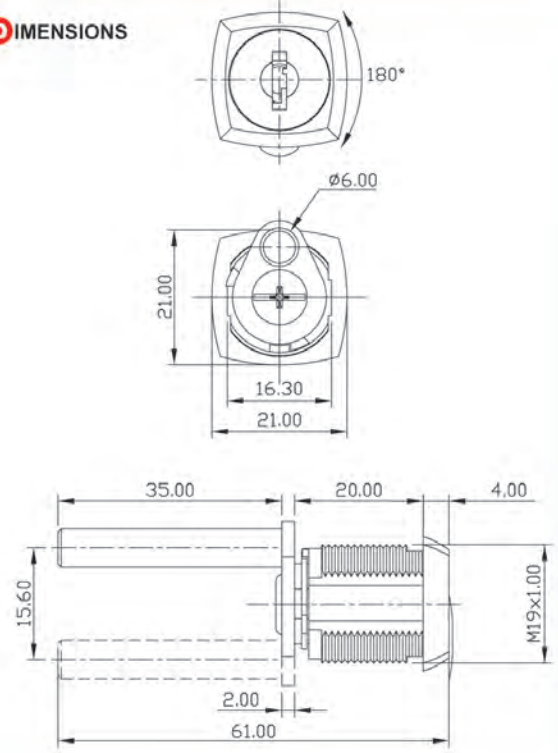
### SPECIFICATIONS

- 20mm CAM LOCK
- 180° ROTARY PIN MOVEMENT
- KEY REMOVABLE IN LOCKED & UNLOCKED POSITIONS
- AVAILABLE IN MASTER KEY & NON-MASTER KEY SYSTEMS
- ZINC ALLOY DIE CAST

### SET INCLUDES

- 1 LOCK HOUSING
- 1 CYLINDER CORE
- 2 KEYS
- 1 HEXAGONAL NUT OR 1 CLIP

### DIMENSIONS



### ORDERING DETAILS

CORE SYSTEM	MASTER KEY SYSTEM	MASTER GROUP	MODEL	CYLINDER HOUSING LENGTH	FINISH	CAM / LEVER NO.	TURNING DIRECTION
*SEE CORE SYSTEM SECTION	B NON-MASTER BM MASTER BK MAIN MASTER BG GRAND MASTER *SEE MASTER KEY SYSTEMS SECTION	1-50	607(03)X NUT INSTALLATION 607(03)U U-CLIP INSTALLATION	20mm	01 NICKEL 03 CHROME	DK033	J CLOCKWISE K COUNTERCLOCKWISE

FROM LOCKED POSITION	TO UNLOCKED POSITION	REMOVAL OF KEY WHEN UNLOCKED	KEY SHAPE	KEYWAY	LOGO
1-Z X 9 8 7	Y Z 1 2 3 4 5 6	1-Z R REMOVABLE	*SEE CORE SYSTEM SECTION	*SEE MASTER KEY SYSTEMS SECTION	CL

**EXAMPLES:**  
**CL13-BM1-607(03)X-20-03-DK033-JZ6-R-K034-91-CC-CL**  
 CAM LOCK WITH LEVER TYPE DK033, NUT INSTALLATION, CL13 CYLINDER CORE MODEL, 20mm CYLINDER HOUSING LENGTH, CHROME FINISH, 180 DEGREE CLOCKWISE SWING ANGLE, FROM Z TO 6 POSITION, GROUP 1 MASTER KEY SYSTEM, FOLDING KEYS, CC KEYWAY  
**CL43-B-607(03)X-20-03-DK033-JZ6-R-K071-91-WA-CL**  
 CAM LOCK WITH LEVER TYPE DK033, U-CLIP INSTALLATION, CL43 CYLINDER CORE MODEL, 20mm CYLINDER HOUSING LENGTH, CHROME FINISH, 180 DEGREE CLOCKWISE SWING ANGLE, FROM Z TO 6 POSITION, NON-MASTER KEY SYSTEM, KEYS WITH CAP, WA KEYWAY



# METAL FURNITURE LOCKS



The Lock from Lock Experts

4-IN-1 SYSTEM

2000 KEY CHANGES

MASTER KEY SYSTEM

KEY IS OPTIONAL



B-201Q-20-01-A044

QUICK-FIX



## FILING CABINET

(2 DRAWERS, 3 DRAWERS, 4 DRAWERS, AND MORES)

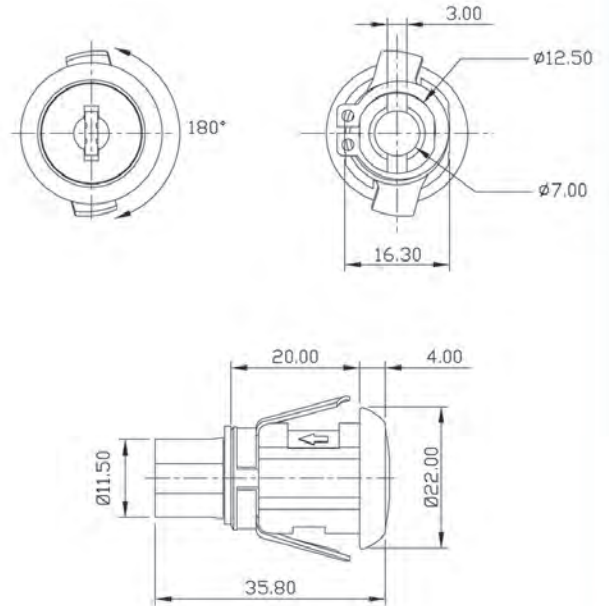
### SPECIFICATIONS

- QUICK-FIX LOCK
- 180° ROTARY MOVEMENT
- KEY REMOVABLE IN LOCKED & UNLOCKED POSITIONS
- AVAILABLE IN MASTER KEY & NON-MASTER KEY SYSTEMS
- ZINC ALLOY DIE CAST

### SET INCLUDES

- 1 LOCK HOUSING
- 1 CYLINDER CORE
- 2 KEYS

### DIMENSIONS



### ORDERING DETAILS

CORE SYSTEM	MASTER KEY SYSTEM	MASTER GROUP	MODEL	CYLINDER HOUSING LENGTH	FINISH	CAM / LEVER NO.
*SEE CORE SYSTEM SECTION	B NON-MASTER BM MASTER BK MAIN MASTER BG GRAND MASTER *SEE MASTER KEY SYSTEMS SECTION	1-50	201Q WING CLIP INSTALLATION	20mm	01 NICKEL 03 CHROME	A044
KEY SHAPE	KEYWAY	LOGO	EXAMPLES:			
*SEE CORE SYSTEM SECTION	*SEE MASTER KEY SYSTEMS SECTION	CL	<p>CL13-BM1-201Q-20-03-A044-K034-91-CC-CL QUICK-FIX LOCK, CL13 CYLINDER CORE MODEL, 20mm CYLINDER HOUSING LENGTH, CHROME FINISH, GROUP 1 MASTER KEY SYSTEM, FOLDING KEYS, CC KEYWAY</p> <p>CL13-B-201Q-20-03-A044-K018-91-CC-CL QUICK-FIX LOCK, CL13 CYLINDER CORE MODEL, 20mm CYLINDER HOUSING LENGTH, CHROME FINISH, NON-MASTER KEY SYSTEM, KEYS WITH CAP, CC KEYWAY</p>			



The Lock from Lock Experts

# METAL FURNITURE LOCKS

4-IN-1 SYSTEM

2000 KEY CHANGES

MASTER KEY SYSTEM

KEY IS OPTIONAL



B-202Q-20-01-A044



QUICK-FIX



## FILING CABINET

(2 DRAWERS, 3 DRAWERS, 4 DRAWERS, AND MORES)

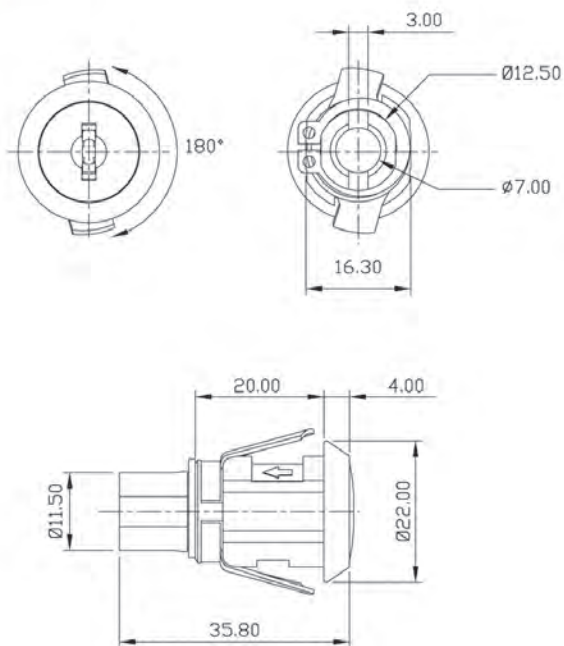
### SPECIFICATIONS

- QUICK-FIX LOCK
- 180° ROTARY MOVEMENT
- KEY REMOVABLE IN LOCKED & UNLOCKED POSITIONS
- AVAILABLE IN MASTER KEY & NON-MASTER KEY SYSTEMS
- ZINC ALLOY DIE CAST

### SET INCLUDES

- 1 LOCK HOUSING
- 1 CYLINDER CORE
- 2 KEYS

### DIMENSIONS



### ORDERING DETAILS

CORE SYSTEM	MASTER KEY SYSTEM	MASTER GROUP	MODEL	CYLINDER HOUSING LENGTH	FINISH	CAM / LEVER NO.
*SEE CORE SYSTEM SECTION	<b>B</b> NON-MASTER <b>BM</b> MASTER <b>BK</b> MAIN MASTER <b>BG</b> GRAND MASTER *SEE MASTER KEY SYSTEMS SECTION	1-50	202Q WING CLIP INSTALLATION	20mm	<b>01</b> NICKEL <b>03</b> CHROME	A044

KEY SHAPE	KEYWAY	LOGO
*SEE CORE SYSTEM SECTION	*SEE MASTER KEY SYSTEMS SECTION	CL

#### EXAMPLES:

CL13-BM1-202Q-20-03-A044-K034-91-CC-CL

QUICK-FIX LOCK, CL13 CYLINDER CORE MODEL, 20mm CYLINDER HOUSING LENGTH, CHROME FINISH, GROUP 1 MASTER KEY SYSTEM, FOLDING KEYS, CC KEYWAY

CL13-B-202Q-20-03-A044-K018-91-CC-CL

QUICK-FIX LOCK, CL13 CYLINDER CORE MODEL, 20mm CYLINDER HOUSING LENGTH, CHROME FINISH, NON-MASTER KEY SYSTEM, KEYS WITH CAP, CC KEYWAY



# METAL FURNITURE LOCKS



The Lock from Lock Experts

4-IN-1 SYSTEM

2000 KEY CHANGES

MASTER KEY SYSTEM

KEY IS OPTIONAL



B-203Q-20-01-A044

QUICK-FIX



## FILING CABINET

(2 DRAWERS, 3 DRAWERS, 4 DRAWERS, AND MORE)

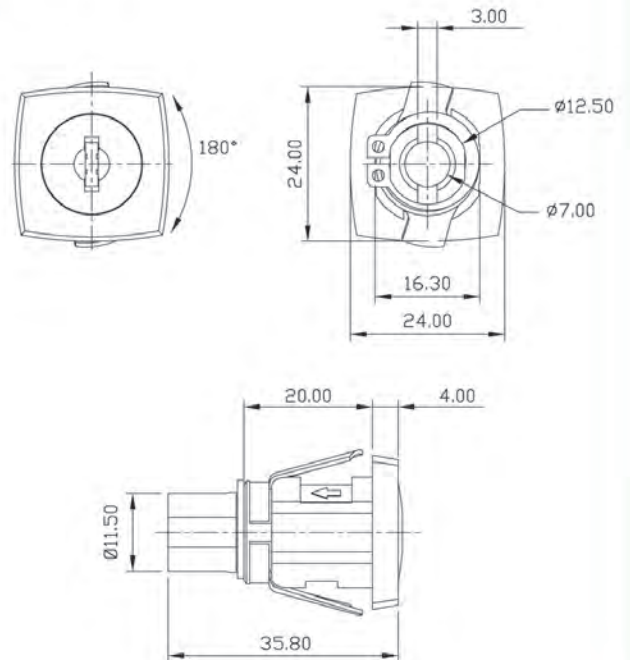
### SPECIFICATIONS

- QUICK-FIX LOCK
- 180° ROTARY MOVEMENT
- KEY REMOVABLE IN LOCKED & UNLOCKED POSITIONS
- AVAILABLE IN MASTER KEY & NON-MASTER KEY SYSTEMS
- ZINC ALLOY DIE CAST

### SET INCLUDES

- 1 LOCK HOUSING
- 1 CYLINDER CORE
- 2 KEYS

### DIMENSIONS



### ORDERING DETAILS

CORE SYSTEM	MASTER KEY SYSTEM	MASTER GROUP	MODEL	CYLINDER HOUSING LENGTH	FINISH	CAM / LEVER NO.
*SEE CORE SYSTEM SECTION	B NON-MASTER BM MASTER BK MAIN MASTER BG GRAND MASTER *SEE MASTER KEY SYSTEMS SECTION	1-50	203Q WING CLIP INSTALLATION	20mm	01 NICKEL 03 CHROME	A044

#### KEY SHAPE

#### KEYWAY

#### LOGO

\*SEE CORE SYSTEM SECTION

\*SEE MASTER KEY SYSTEMS SECTION

CL

#### EXAMPLES:

CL13-BM2-203Q-20-01-A044-K018-91-CC-CL  
QUICK-FIX LOCK, CL13 CYLINDER CORE MODEL, 20mm CYLINDER HOUSING LENGTH, NICKEL FINISH, GROUP 2 MASTER KEY SYSTEM, KEYS WITH CAP, CC KEYWAY

CL13-B-203Q-20-03-A044-K034-91-CC-CL  
QUICK-FIX LOCK, CL13 CYLINDER CORE MODEL, 20mm CYLINDER HOUSING LENGTH, CHROME FINISH, NON-MASTER KEY SYSTEM, FOLDING KEYS, CC KEYWAY



The Lock from Lock Experts

# METAL FURNITURE LOCKS



**B-204Q-20-01-A044**



QUICK-FIX



## FILING CABINET

(2 DRAWERS, 3 DRAWERS, 4 DRAWERS, AND MORE)

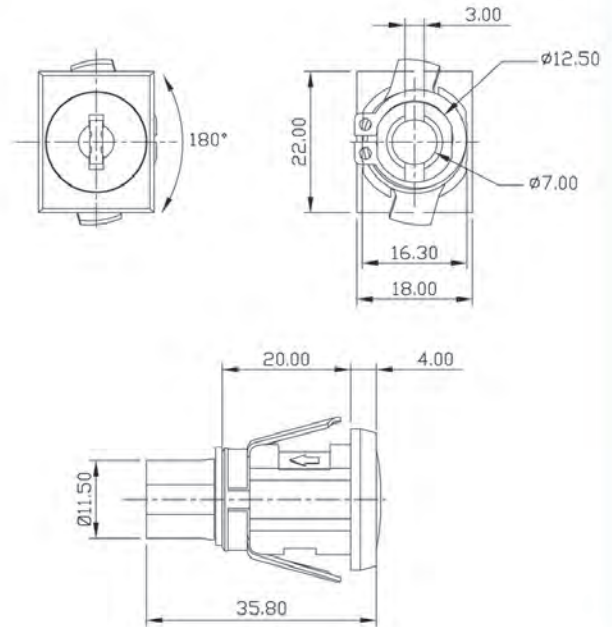
### SPECIFICATIONS

- QUICK-FIX LOCK
- 180° ROTARY MOVEMENT
- KEY REMOVABLE IN LOCKED & UNLOCKED POSITIONS
- AVAILABLE IN MASTER KEY & NON-MASTER KEY SYSTEMS
- ZINC ALLOY DIE CAST

### SET INCLUDES

- 1 LOCK HOUSING
- 1 CYLINDER CORE
- 2 KEYS

### DIMENSIONS



### ORDERING DETAILS

CORE SYSTEM	MASTER KEY SYSTEM	MASTER GROUP	MODEL	CYLINDER HOUSING LENGTH	FINISH	CAM / LEVER NO.
*SEE CORE SYSTEM SECTION	B NON-MASTER BM MASTER BK MAIN MASTER BG GRAND MASTER *SEE MASTER KEY SYSTEMS SECTION	1-50	204Q WING CLIP INSTALLATION	20mm	01 NICKEL 03 CHROME	A044
KEY SHAPE	KEYWAY	LOGO	EXAMPLES:			
*SEE CORE SYSTEM SECTION	*SEE MASTER KEY SYSTEMS SECTION	CL	<p><b>CL13-BM1-204Q-20-01-A044-K018-91-CC-CL</b> QUICK-FIX LOCK, CL13 CYLINDER CORE MODEL, 20mm CYLINDER HOUSING LENGTH, NICKEL FINISH, GROUP 1 MASTER KEY SYSTEM, KEYS WITH CAP, CC KEYWAY</p> <p><b>CL13-B-204Q-20-03-A044-K034-91-CC-CL</b> QUICK-FIX LOCK, CL13 CYLINDER CORE MODEL, 20mm CYLINDER HOUSING LENGTH, CHROME FINISH, NON-MASTER KEY SYSTEM, FOLDING KEYS, CC KEYWAY</p>			



# METAL FURNITURE LOCKS



The Lock from Lock Experts

- 4-IN-1  
SYSTEM
- 2000  
KEY CHANGES
- MASTER  
KEY SYSTEM
- KEY  
IS OPTIONAL



## FILING CABINET

(2 DRAWERS, 3 DRAWERS, 4 DRAWERS, AND MORES)

**B-205Q-20-01-A044**



QUICK-FIX

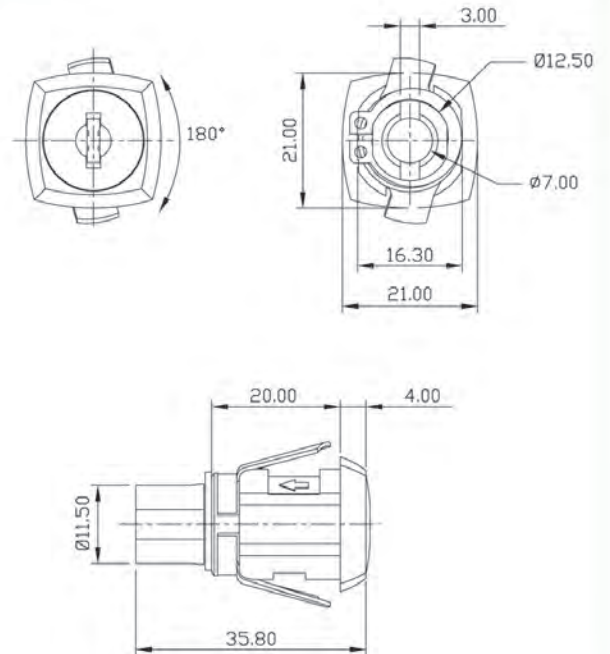
### SPECIFICATIONS

- QUICK-FIX LOCK
- 180° ROTARY MOVEMENT
- KEY REMOVABLE IN LOCKED & UNLOCKED POSITIONS
- AVAILABLE IN MASTER KEY & NON-MASTER KEY SYSTEMS
- ZINC ALLOY DIE CAST

### SET INCLUDES

- 1 LOCK HOUSING
- 1 CYLINDER CORE
- 2 KEYS

### DIMENSIONS



### ORDERING DETAILS

CORE SYSTEM	MASTER KEY SYSTEM	MASTER GROUP	MODEL	CYLINDER HOUSING LENGTH	FINISH	CAM / LEVER NO.
*SEE CORE SYSTEM SECTION	<b>B</b> NON-MASTER <b>BM</b> MASTER <b>BK</b> MAIN MASTER <b>BG</b> GRAND MASTER *SEE MASTER KEY SYSTEMS SECTION	1-50	205Q WING CLIP INSTALLATION	20mm	<b>01</b> NICKEL <b>03</b> CHROME	A044
KEY SHAPE	KEYWAY	LOGO	<b>EXAMPLES:</b>			
*SEE CORE SYSTEM SECTION	*SEE MASTER KEY SYSTEMS SECTION	CL	<b>CL13-B-205Q-20-03-A044-K034-91-CC-CL</b> QUICK-FIX LOCK, CL13 CYLINDER CORE MODEL, 20mm CYLINDER HOUSING LENGTH, CHROME FINISH, NON-MASTER KEY SYSTEM, FOLDING KEYS, CC KEYWAY  <b>CL13-BM1-205Q-20-01-A044-K018-91-CC-CL</b> QUICK-FIX LOCK, CL13 CYLINDER CORE MODEL, 20mm CYLINDER HOUSING LENGTH, NICKEL FINISH, GROUP 1 MASTER KEY SYSTEM, KEYS WITH CAP, CC KEYWAY			



The Lock from Lock Experts

# METAL FURNITURE LOCKS

4-IN-1 SYSTEM

2000 KEY CHANGES

MASTER KEY SYSTEM

KEY IS OPTIONAL



## FILING CABINET

(2 DRAWERS, 3 DRAWERS, 4 DRAWERS, AND MORES)

QUICK-FIX

B-206Q-20-01-A044



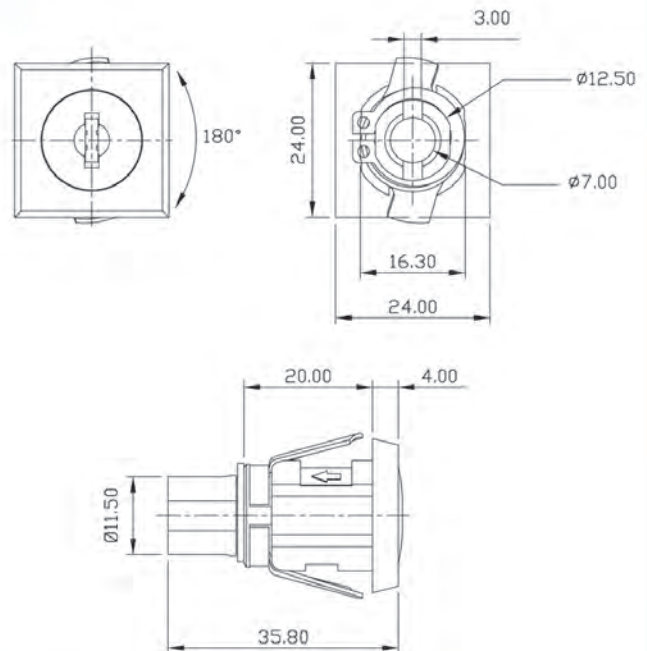
### SPECIFICATIONS

- QUICK-FIX LOCK
- 180° ROTARY MOVEMENT
- KEY REMOVABLE IN LOCKED & UNLOCKED POSITIONS
- AVAILABLE IN MASTER KEY & NON-MASTER KEY SYSTEMS
- ZINC ALLOY DIE CAST

### SET INCLUDES

- 1 LOCK HOUSING
- 1 CYLINDER CORE
- 2 KEYS

### DIMENSIONS



### ORDERING DETAILS

CORE SYSTEM	MASTER KEY SYSTEM	MASTER GROUP	MODEL	CYLINDER HOUSING LENGTH	FINISH	CAM / LEVER NO.
*SEE CORE SYSTEM SECTION	<b>B</b> NON-MASTER <b>BM</b> MASTER <b>BK</b> MAIN MASTER <b>BG</b> GRAND MASTER *SEE MASTER KEY SYSTEMS SECTION	1-50	206Q WING CLIP INSTALLATION	20mm	<b>01</b> NICKEL <b>03</b> CHROME	A044
KEY SHAPE	KEYWAY	LOGO	<b>EXAMPLES:</b> <b>CL13-B-206Q-20-03-A044-K034-91-CC-CL</b> QUICK-FIX LOCK, CL13 CYLINDER CORE MODEL, 20mm CYLINDER HOUSING LENGTH, CHROME FINISH, NON-MASTER KEY SYSTEM, FOLDING KEYS, CC KEYWAY  <b>CL13-BM1-206Q-20-01-A044-K018-91-CC-CL</b> QUICK-FIX LOCK, CL13 CYLINDER CORE MODEL, 20mm CYLINDER HOUSING LENGTH, NICKEL FINISH, GROUP 1 MASTER KEY SYSTEM, KEYS WITH CAP, CC KEYWAY			
*SEE CORE SYSTEM SECTION	*SEE MASTER KEY SYSTEMS SECTION	CL				



# METAL FURNITURE LOCKS



The Lock from Lock Experts

- 4-IN-1  
SYSTEM
- 2000  
KEY CHANGES
- MASTER  
KEY SYSTEM
- KEY  
IS OPTIONAL



## FILING CABINET

(2 DRAWERS, 3 DRAWERS, 4 DRAWERS, AND MORES)

**B-521U-20-01-A044**

U-CLIP



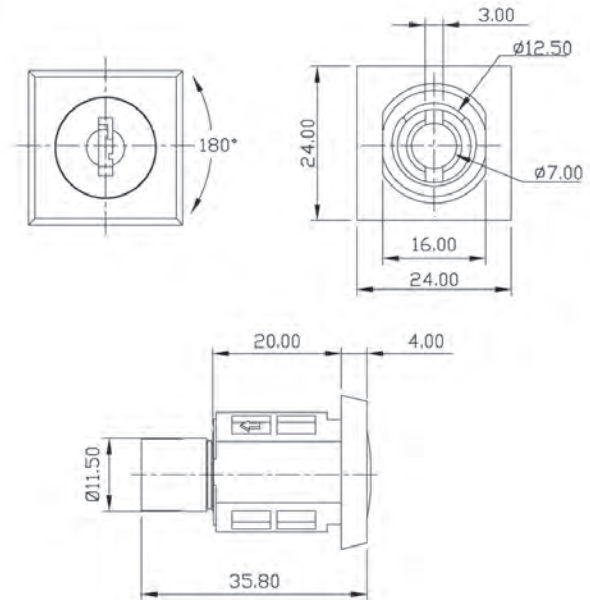
### SPECIFICATIONS

- MULTI-DRAWER LOCK
- 180° ROTARY MOVEMENT
- KEY REMOVABLE IN LOCKED & UNLOCKED POSITIONS
- AVAILABLE IN MASTER KEY & NON-MASTER KEY SYSTEMS
- ZINC ALLOY DIE CAST

### SET INCLUDES

- 1 LOCK HOUSING
- 1 CYLINDER CORE
- 2 KEYS
- 1 CLIP

### DIMENSIONS



### ORDERING DETAILS

CORE SYSTEM	MASTER KEY SYSTEM	MASTER GROUP	MODEL	CYLINDER HOUSING LENGTH	FINISH	CAM / LEVER NO.
*SEE CORE SYSTEM SECTION	<b>B</b> NON-MASTER <b>BM</b> MASTER <b>BK</b> MAIN MASTER <b>BG</b> GRAND MASTER *SEE MASTER KEY SYSTEMS SECTION	1-50	521U U-CLIP INSTALLATION	20mm	01 NICKEL 03 CHROME	A044

KEY SHAPE	KEYWAY	LOGO
*SEE CORE SYSTEM SECTION	*SEE MASTER KEY SYSTEMS SECTION	CL

#### EXAMPLES:

**CL13-B-521U-20-01-A044-K018-91-CC-CL**  
 MULTI-DRAWER LOCK, U-CLIP INSTALLATION, CL13 CYLINDER CORE MODEL, 20mm CYLINDER HOUSING LENGTH, NICKEL FINISH, NON- MASTER KEY SYSTEM, KEYS WITH CAP, CC KEYWAY

**CL13-BM1-521U-20-03-A044-K034-91-CC-CL**  
 MULTI-DRAWER LOCK, U-CLIP INSTALLATION, CL13 CYLINDER CORE MODEL, 20mm CYLINDER HOUSING LENGTH, CHROME FINISH, GROUP 1 MASTER KEY SYSTEM, FOLDING KEYS, CC KEYWAY



The Lock from Lock Experts

# METAL FURNITURE LOCKS

- 4-IN-1 SYSTEM
- 2000 KEY CHANGES
- MASTER KEY SYSTEM
- KEY IS OPTIONAL



QUICK-FIX



**LOCKER**

B-201Q-20-01-C\_-J9Z-R

B-201Q-20-01-C\_-J9Z-N\*

B-201Q-20-01-C\_-J93-R

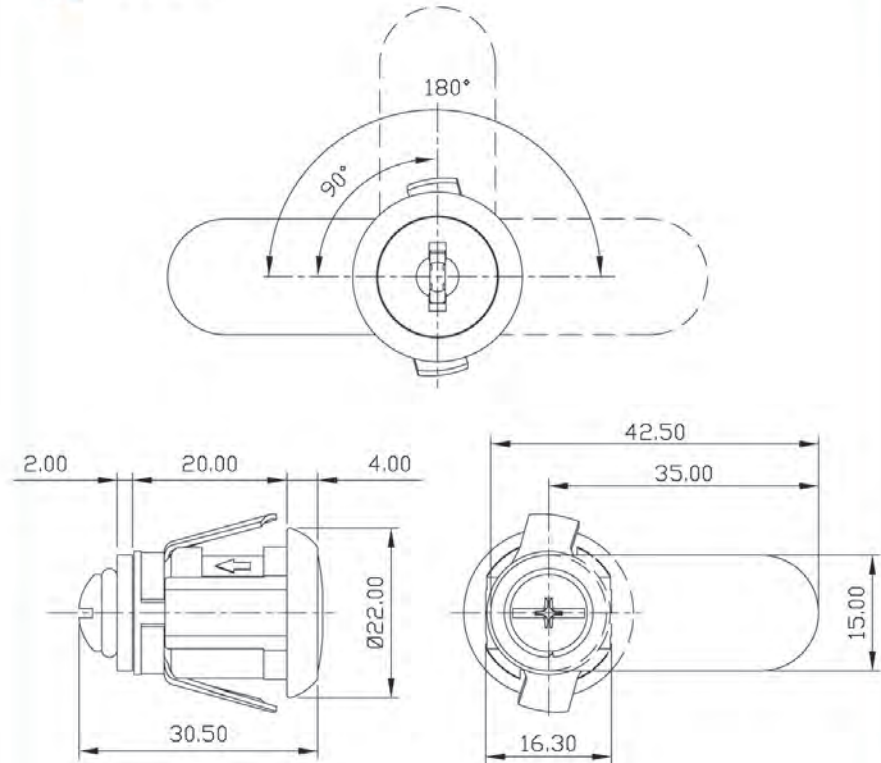
## SPECIFICATIONS

- QUICK-FIX LOCK
- 90° OR 180° ROTARY CAM MOVEMENT
- KEY REMOVABLE IN LOCKED & UNLOCKED POSITIONS
- AVAILABLE IN MASTER KEY & NON MASTER KEY SYSTEMS
- NON-REMOVABLE CORE SYSTEMS
- ZINC ALLOY DIE CAST

## SET INCLUDES

- 1 LOCK HOUSING
- 1 CYLINDER CORE
- 2 KEYS
- 1 CAM TYPE

## DIMENSIONS



\* WHEN UNLOCKED, KEY CAN FUNCTION AS HANDLE.

## ORDERING DETAILS

CORE SYSTEM	MASTER KEY SYSTEM	MASTER GROUP	MODEL	CYLINDER HOUSING LENGTH	FINISH	CAM / LEVER NO.	TURNING DIRECTION
*SEE CORE SYSTEM SECTION	B NON-MASTER BM MASTER BK MAIN MASTER BG GRAND MASTER *SEE MASTER KEY SYSTEMS SECTION	1-50	201Q WING CLIP INSTALLATION	20mm	01 NICKEL 03 CHROME	C_ _ _ *SEE CAM / LEVER SECTION FOR 2.5mm THICKNESS, USE CT_ _ _	J CLOCKWISE K COUNTERCLOCKWISE

FROM LOCKED POSITION	TO UNLOCKED POSITION	REMOVAL OF KEY WHEN UNLOCKED	KEY SHAPE	KEYWAY	LOGO
1-Z X Y Z 9 8 7 6 1 2 3 4 5		R REMOVABLE N NOT REMOVABLE	*SEE CORE SYSTEM SECTION	*SEE MASTER KEY SYSTEMS SECTION	CL

### EXAMPLES:

CL13-BM1-201Q-20-01-C01-J93-R-K018-91-CC-CL  
QUICK-FIX LOCK WITH CAM TYPE C01, CL13 CYLINDER CORE MODEL, 20mm CYLINDER HOUSING LENGTH, NICKEL FINISH, 180 DEGREE CLOCKWISE SWING ANGLE, FROM 9 TO 3 POSITION, GROUP 1 MASTER KEY SYSTEM, KEYS WITH CAP, CC KEYWAY

CL13-B-201Q-20-03-C01-J9Z-R-K034-91-CC-CL  
QUICK-FIX LOCK WITH CAM TYPE C01, CL13 CYLINDER CORE MODEL, 20mm CYLINDER HOUSING LENGTH, CHROME FINISH, 90 DEGREE CLOCKWISE SWING ANGLE, FROM 9 TO Z POSITION, NON-MASTER KEY SYSTEM, FOLDING KEYS, CC KEYWAY



# METAL FURNITURE LOCKS

The Lock from Lock Experts

**B**

4-IN-1 SYSTEM

2000 KEY CHANGES

MASTER KEY SYSTEM

KEY IS OPTIONAL



QUICK-FIX



**LOCKER**

B-202Q-20-01-C\_-J9Z-R

B-202Q-20-01-C\_-J9Z-N\*

B-202Q-20-01-C\_-J93-R



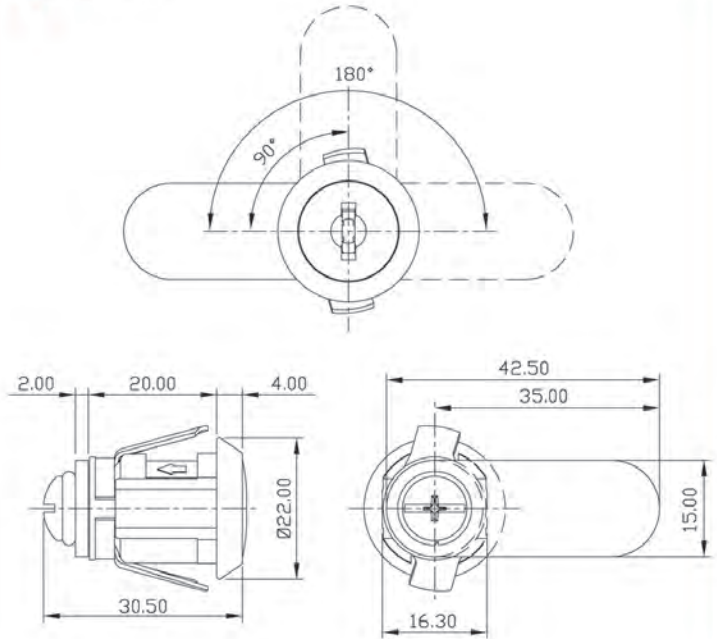
## SPECIFICATIONS

- QUICK-FIX LOCK
- 90° OR 180° ROTARY CAM MOVEMENT
- KEY REMOVABLE IN LOCKED & UNLOCKED POSITIONS
- AVAILABLE IN MASTER KEY & NON MASTER KEY SYSTEMS
- NON-REMOVABLE CORE SYSTEMS
- ZINC ALLOY DIE CAST

## SET INCLUDES

- 1 LOCK HOUSING
- 1 CYLINDER CORE
- 2 KEYS
- 1 CAM TYPE

## DIMENSIONS



\* WHEN UNLOCKED, KEY CAN FUNCTION AS HANDLE

## ORDERING DETAILS

CORE SYSTEM	MASTER KEY SYSTEM	MASTER GROUP	MODEL	CYLINDER HOUSING LENGTH	FINISH	CAM / LEVER NO.	TURNING DIRECTION
*SEE CORE SYSTEM SECTION	B NON-MASTER BM MASTER BK MAIN MASTER BG GRAND MASTER *SEE MASTER KEY SYSTEMS SECTION	1-50	202Q WING CLIP INSTALLATION	20mm	01 NICKEL 03 CHROME	C_... *SEE CAM / LEVER SECTION FOR 2.5mm THICKNESS, USE CT_...	J CLOCKWISE K COUNTERCLOCKWISE

FROM LOCKED POSITION	TO UNLOCKED POSITION	REMOVAL OF KEY WHEN UNLOCKED	KEY SHAPE	KEYWAY	LOGO
1-Z X 9 8 7 6	Z 1 2 3 4 5 6	R REMOVABLE N NOT REMOVABLE	*SEE CORE SYSTEM SECTION	*SEE MASTER KEY SYSTEMS SECTION	CL

### EXAMPLES:

**CL13-B-202Q-20-03-C01-J9Z-R-K034-91-CC-CL**  
QUICK-FIX LOCK WITH CAM TYPE C01, CL13 CYLINDER CORE MODEL, 20mm CYLINDER HOUSING LENGTH, CHROME FINISH, 90 DEGREE CLOCKWISE SWING ANGLE, FROM 9 TO Z POSITION, NON-MASTER KEY SYSTEM, FOLDING KEYS, CC KEYWAY

**CL13-BM1-202Q-20-01-C01-J93-R-K018-91-CC-CL**  
QUICK-FIX LOCK WITH CAM TYPE C01, CL13 CYLINDER CORE MODEL, 20mm CYLINDER HOUSING LENGTH, NICKEL FINISH, 180 DEGREE CLOCKWISE SWING ANGLE, FROM 9 TO 3 POSITION, GROUP 1 MASTER KEY SYSTEM, KEYS WITH CAP, CC KEYWAY



The Lock from Lock Experts

# METAL FURNITURE LOCKS

4-IN-1 SYSTEM

2000 KEY CHANGES

MASTER KEY SYSTEM

KEY IS OPTIONAL

SYSTEM  
**B**



QUICK-FIX



**LOCKER**

B-203Q-20-01-C\_-J9Z-R

B-203Q-20-01-C\_-J9Z-N\*

B-203Q-20-01-C\_-J93-R

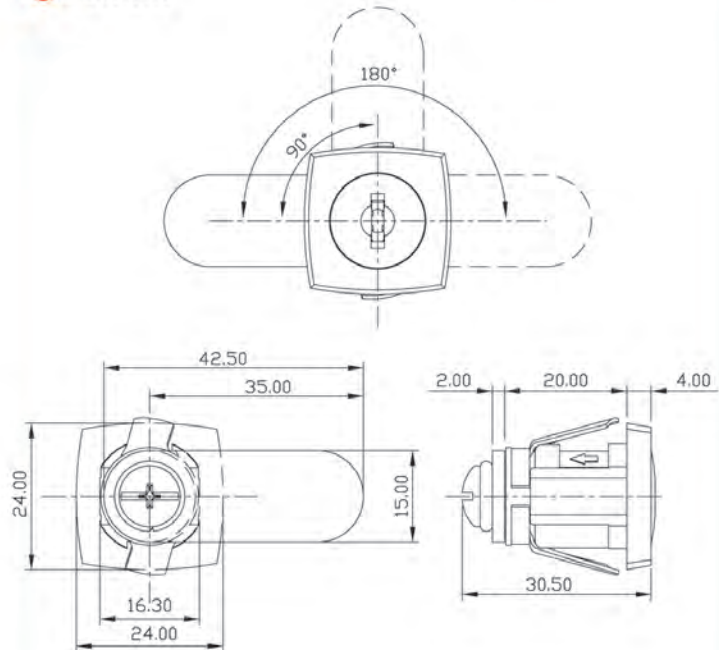
## SPECIFICATIONS

- QUICK-FIX LOCK
- 90° OR 180° ROTARY CAM MOVEMENT
- KEY REMOVABLE IN LOCKED & UNLOCKED POSITIONS
- AVAILABLE IN MASTER KEY & NON MASTER KEY SYSTEMS
- NON-REMOVABLE CORE SYSTEMS
- ZINC ALLOY DIE CAST

## SET INCLUDES

- 1 LOCK HOUSING
- 1 CYLINDER CORE
- 2 KEYS
- 1 CAM TYPE

## DIMENSIONS



\* WHEN UNLOCKED, KEY CAN FUNCTION AS HANDLE.

## ORDERING DETAILS

CORE SYSTEM	MASTER KEY SYSTEM	MASTER GROUP	MODEL	CYLINDER HOUSING LENGTH	FINISH	CAM / LEVER NO.	TURNING DIRECTION
*SEE CORE SYSTEM SECTION	B NON-MASTER BM MASTER BK MAIN MASTER BG GRAND MASTER *SEE MASTER KEY SYSTEMS SECTION	1-50	203Q WING CLIP INSTALLATION	20mm	01 NICKEL 03 CHROME	C_ _ _ *SEE CAM / LEVER SECTION FOR 2.5mm THICKNESS, USE CT_ _ _	J CLOCKWISE K COUNTERCLOCKWISE
FROM LOCKED POSITION	TO UNLOCKED POSITION	REMOVAL OF KEY WHEN UNLOCKED	KEY SHAPE	KEYWAY	LOGO	EXAMPLES: CL13-B-203Q-20-03-C01-J9Z-R-K034-91-CC-CL QUICK-FIX LOCK WITH CAM TYPE C01, CL13 CYLINDER CORE MODEL, 20mm CYLINDER HOUSING LENGTH, CHROME FINISH, 90 DEGREE CLOCKWISE SWING ANGLE, FROM 9 TO Z POSITION, NON-MASTER KEY SYSTEM, FOLDING KEYS, CC KEYWAY CL13-BM1-203Q-20-01-C01-J93-R-K018-91-CC-CL QUICK-FIX LOCK WITH CAM TYPE C01, CL13 CYLINDER CORE MODEL, 20mm CYLINDER HOUSING LENGTH, NICKEL FINISH, 180 DEGREE CLOCKWISE SWING ANGLE, FROM 9 TO 3 POSITION, GROUP 1 MASTER KEY SYSTEM, KEYS WITH CAP, CC KEYWAY	
1-Z X 9 8 7 6	Y Z 1 2 3 4 5	R REMOVABLE N NOT REMOVABLE	*SEE CORE SYSTEM SECTION	*SEE MASTER KEY SYSTEMS SECTION	CL		



# METAL FURNITURE LOCKS



The Lock from Lock Experts

- 4-IN-1 SYSTEM
- 2000 KEY CHANGES
- MASTER KEY SYSTEM
- KEY IS OPTIONAL



QUICK-FIX



**LOCKER**

- B-204Q-20-01-C\_-J9Z-R
- B-204Q-20-01-C\_-J9Z-N\*
- B-204Q-20-01-C\_-J93-R

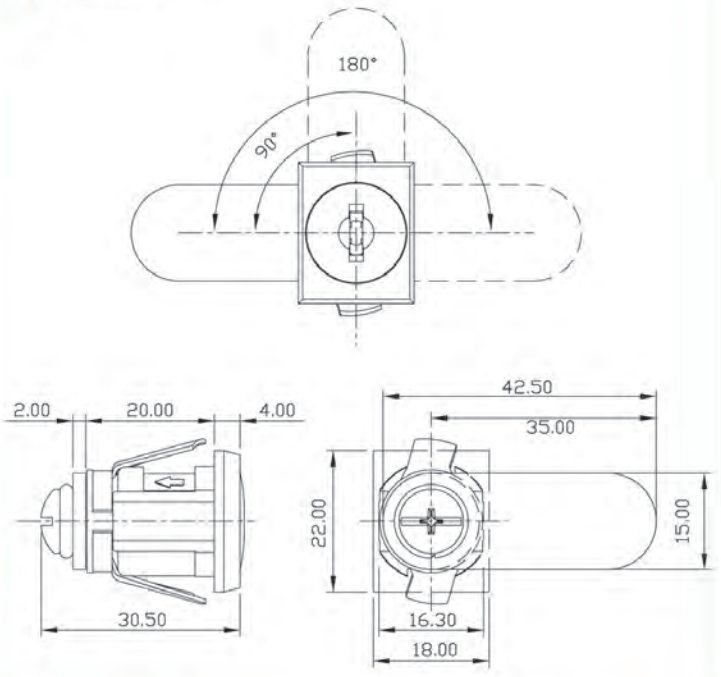
## SPECIFICATIONS

- QUICK-FIX LOCK
- 90° OR 180° ROTARY CAM MOVEMENT
- KEY REMOVABLE IN LOCKED & UNLOCKED POSITIONS
- AVAILABLE IN MASTER KEY & NON MASTER KEY SYSTEMS
- NON-REMOVABLE CORE SYSTEMS
- ZINC ALLOY DIE CAST

## SET INCLUDES

- 1 LOCK HOUSING
- 1 CYLINDER CORE
- 2 KEYS
- 1 CAM TYPE

## DIMENSIONS



\* WHEN UNLOCKED, KEY CAN FUNCTION AS HANDLE.

## ORDERING DETAILS

CORE SYSTEM	MASTER KEY SYSTEM	MASTER GROUP	MODEL	CYLINDER HOUSING LENGTH	FINISH	CAM / LEVER NO.	TURNING DIRECTION
*SEE CORE SYSTEM SECTION	B NON-MASTER BM MASTER BK MAIN MASTER BG GRAND MASTER *SEE MASTER KEY SYSTEMS SECTION	1-50	204Q WING CLIP INSTALLATION	20mm	01 NICKEL 03 CHROME	C_... *SEE CAM / LEVER SECTION FOR 2.5mm THICKNESS, USE CT_...	J CLOCKWISE K COUNTERCLOCKWISE

FROM LOCKED POSITION	TO UNLOCKED POSITION	REMOVAL OF KEY WHEN UNLOCKED	KEY SHAPE	KEYWAY	LOGO
1-Z X 9 8 7 6	Z 1 2 3 4 5	R REMOVABLE N NOT REMOVABLE	*SEE CORE SYSTEM SECTION	*SEE MASTER KEY SYSTEMS SECTION	CL

**EXAMPLES:**  
**CL13-BM1-204Q-20-01-C01-J93-R-K018-91-CC-CL**  
 QUICK-FIX LOCK WITH CAM TYPE C01, CL13 CYLINDER CORE MODEL, 20mm CYLINDER HOUSING LENGTH, NICKEL FINISH, 180 DEGREE CLOCKWISE SWING ANGLE, FROM 9 TO 3 POSITION, GROUP 1 MASTER KEY SYSTEM, KEYS WITH CAP, CC KEYWAY  
**CL13-B-204Q-20-03-C01-J9Z-R-K034-91-CC-CL**  
 QUICK-FIX LOCK WITH CAM TYPE C01, CL13 CYLINDER CORE MODEL, 20mm CYLINDER HOUSING LENGTH, CHROME FINISH, 90 DEGREE CLOCKWISE SWING ANGLE, FROM 9 TO Z POSITION, NON-MASTER KEY SYSTEM, FOLDING KEYS, CC KEYWAY



The Lock from Lock Experts

# METAL FURNITURE LOCKS

- 4-IN-1 SYSTEM
- 2000 KEY CHANGES
- MASTER KEY SYSTEM
- KEY IS OPTIONAL



QUICK-FIX



**LOCKER**

B-205Q-20-01-C\_-J9Z-R

B-205Q-20-01-C\_-J9Z-N\*

B-205Q-20-01-C\_-J93-R

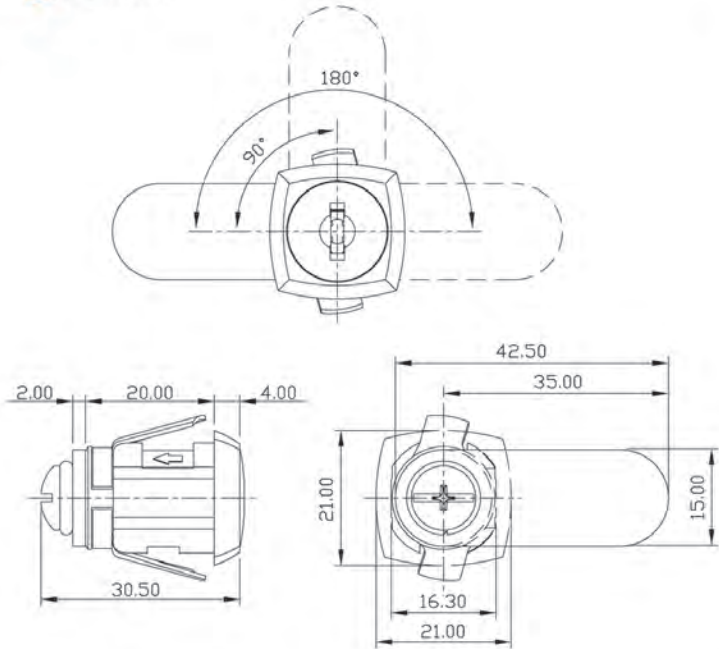
## SPECIFICATIONS

- QUICK-FIX LOCK
- 90° OR 180° ROTARY CAM MOVEMENT
- KEY REMOVABLE IN LOCKED & UNLOCKED POSITIONS
- AVAILABLE IN MASTER KEY & NON MASTER KEY SYSTEMS
- NON-REMOVABLE CORE SYSTEMS
- ZINC ALLOY DIE CAST

## SET INCLUDES

- 1 LOCK HOUSING
- 1 CYLINDER CORE
- 2 KEYS
- 1 CAM TYPE

## DIMENSIONS



\* WHEN UNLOCKED, KEY CAN FUNCTION AS HANDLE

## ORDERING DETAILS

CORE SYSTEM	MASTER KEY SYSTEM	MASTER GROUP	MODEL	CYLINDER HOUSING LENGTH	FINISH	CAM / LEVER NO.	TURNING DIRECTION
*SEE CORE SYSTEM SECTION	B NON-MASTER BM MASTER BK MAIN MASTER BG GRAND MASTER *SEE MASTER KEY SYSTEMS SECTION	1-50	205Q WING CLIP INSTALLATION	20mm	01 NICKEL 03 CHROME	C_ _ _ *SEE CAM / LEVER SECTION FOR 2.5mm THICKNESS, USE CT_ _ _	J CLOCKWISE K COUNTERCLOCKWISE

FROM LOCKED POSITION	TO UNLOCKED POSITION	REMOVAL OF KEY WHEN UNLOCKED	KEY SHAPE	KEYWAY	LOGO
1-Z X 9 8 7 6	Z 1 2 3 4 5	R REMOVABLE N NOT REMOVABLE	*SEE CORE SYSTEM SECTION	*SEE MASTER KEY SYSTEMS SECTION	CL

### EXAMPLES:

CL13-B-205Q-20-03-C01-J9Z-R-K034-91-CC-CL  
QUICK-FIX LOCK WITH CAM TYPE C01, CL13 CYLINDER CORE MODEL, 20mm CYLINDER HOUSING LENGTH, CHROME FINISH, 90 DEGREE CLOCKWISE SWING ANGLE, FROM 9 TO Z POSITION, NON-MASTER KEY SYSTEM, FOLDING KEYS, CC KEYWAY

CL13-BM1-205Q-20-01-C01-J93-R-K018-91-CC-CL  
QUICK-FIX LOCK WITH CAM TYPE C01, CL13 CYLINDER CORE MODEL, 20mm CYLINDER HOUSING LENGTH, NICKEL FINISH, 180 DEGREE CLOCKWISE SWING ANGLE, FROM 9 TO 3 POSITION, GROUP 1 MASTER KEY SYSTEM, KEYS WITH CAP, CC KEYWAY



**B**

# METAL FURNITURE LOCKS



The Lock from Lock Experts

4-IN-1 SYSTEM

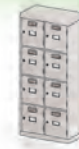
2000 KEY CHANGES

MASTER KEY SYSTEM

KEY IS OPTIONAL



QUICK-FIX



**LOCKER**

B-206Q-20-01-C\_-J9Z-R

B-206Q-20-01-C\_-J9Z-N\*

B-206Q-20-01-C\_-J93-R

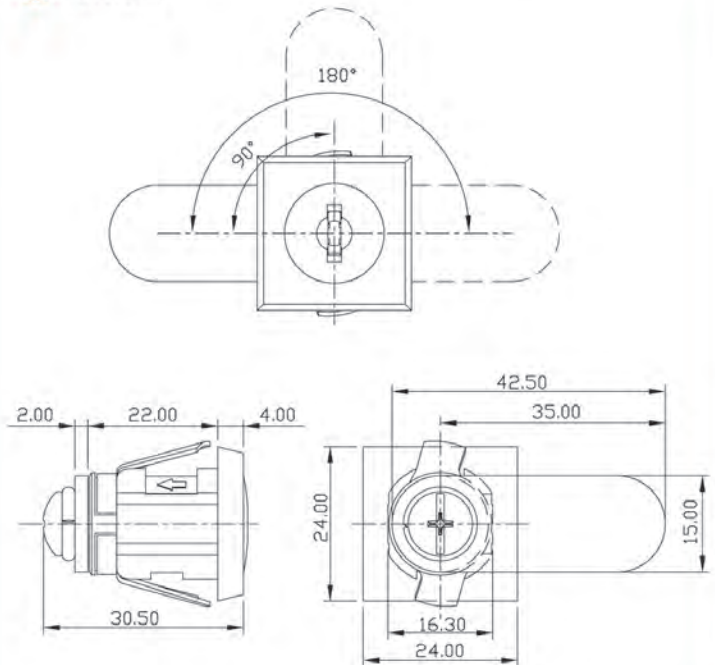
## SPECIFICATIONS

- QUICK-FIX LOCK
- 90° OR 180° ROTARY CAM MOVEMENT
- KEY REMOVABLE IN LOCKED & UNLOCKED POSITIONS
- AVAILABLE IN MASTER KEY & NON MASTER KEY SYSTEMS
- NON-REMOVABLE CORE SYSTEMS
- ZINC ALLOY DIE CAST

## SET INCLUDES

- 1 LOCK HOUSING
- 1 CYLINDER CORE
- 2 KEYS
- 1 CAM TYPE

## DIMENSIONS



\* WHEN UNLOCKED, KEY CAN FUNCTION AS HANDLE.

## ORDERING DETAILS

CORE SYSTEM	MASTER KEY SYSTEM	MASTER GROUP	MODEL	CYLINDER HOUSING LENGTH	FINISH	CAM / LEVER NO.	TURNING DIRECTION
*SEE CORE SYSTEM SECTION	B NON-MASTER BM MASTER BK MAIN MASTER BG GRAND MASTER *SEE MASTER KEY SYSTEMS SECTION	1-50	206Q WING CLIP INSTALLATION	20mm	01 NICKEL 03 CHROME	C_... *SEE CAM / LEVER SECTION FOR 2.5mm THICKNESS, USE CT_...	J CLOCKWISE K COUNTERCLOCKWISE

FROM LOCKED POSITION	TO UNLOCKED POSITION	REMOVAL OF KEY WHEN UNLOCKED	KEY SHAPE	KEYWAY	LOGO
1-Z X 9 8 7 6	Z 1 2 3 4 5 6	R REMOVABLE N NOT REMOVABLE	*SEE CORE SYSTEM SECTION	*SEE MASTER KEY SYSTEMS SECTION	CL

### EXAMPLES:

CL13-BM1-206Q-20-01-C01-J93-R-K018-91-CC-CL  
QUICK-FIX LOCK WITH CAM TYPE C01, CL13 CYLINDER CORE MODEL, 20mm CYLINDER HOUSING LENGTH, NICKEL FINISH, 180 DEGREE CLOCKWISE SWING ANGLE, FROM 9 TO 3 POSITION, GROUP 1 MASTER KEY SYSTEM, KEYS WITH CAP, CC KEYWAY

CL13-B-206Q-20-03-C01-J9Z-R-K034-91-CC-CL  
QUICK-FIX LOCK WITH CAM TYPE C01, CL13 CYLINDER CORE MODEL, 20mm CYLINDER HOUSING LENGTH, CHROME FINISH, 90 DEGREE CLOCKWISE SWING ANGLE, FROM 9 TO Z POSITION, NON-MASTER KEY SYSTEM, FOLDING KEYS, CC KEYWAY



The Lock from Lock Experts

# METAL FURNITURE LOCKS

- 4-IN-1 SYSTEM
- 2000 KEY CHANGES
- MASTER KEY SYSTEM
- KEY IS OPTIONAL



**B-541U-20-01-C\_-JZ6-R**



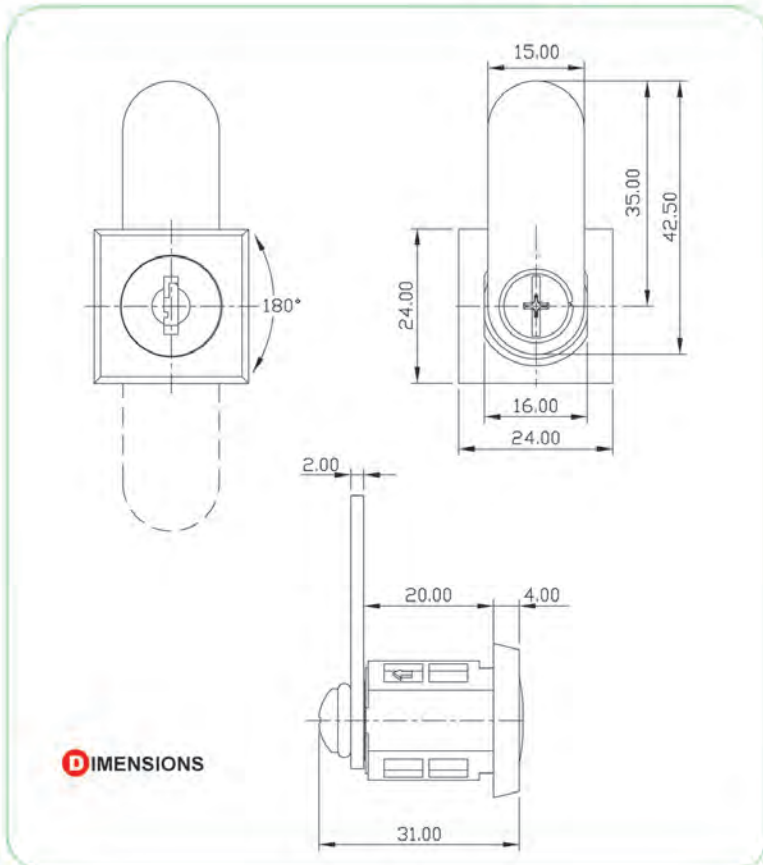
**LOCKER**

## SPECIFICATIONS

- MULTI-DRAWER LOCK
- 180° ROTARY CAM MOVEMENT
- KEY REMOVABLE IN LOCKED & UNLOCKED POSITIONS
- AVAILABLE IN MASTER KEY & NON-MASTER KEY SYSTEMS
- ZINC ALLOY DIE CAST

## SET INCLUDES

- 1 LOCK HOUSING
- 1 CYLINDER CORE
- 2 KEYS
- 1 CLIP
- 1 CAM TYPE



## DIMENSIONS

## ORDERING DETAILS

CORE SYSTEM	MASTER KEY SYSTEM	MASTER GROUP	MODEL	CYLINDER HOUSING LENGTH	FINISH	CAM / LEVER NO.	TURNING DIRECTION
*SEE CORE SYSTEM SECTION	<b>B</b> NON-MASTER <b>BM</b> MASTER <b>BK</b> MAIN MASTER <b>BG</b> GRAND MASTER *SEE MASTER KEY SYSTEMS SECTION	1-50	541U U-CLIP INSTALLATION	20mm	<b>01</b> NICKEL <b>03</b> CHROME	<b>C_</b> _ _ *SEE CAM / LEVER SECTION FOR 2.5mm THICKNESS, USE <b>CT_</b> _ _	<b>J</b> CLOCKWISE <b>K</b> COUNTERCLOCKWISE
FROM LOCKED POSITION	TO UNLOCKED POSITION	REMOVAL OF KEY WHEN UNLOCKED	KEY SHAPE	KEYWAY	LOGO		
1-Z X 9 8 7 6	Z 1 2 3 4 5	1-Z R REMOVABLE	*SEE CORE SYSTEM SECTION	*SEE MASTER KEY SYSTEMS SECTION	CL		

**EXAMPLES:**

CL13-BM3-541U-20-03-C01-KZ6-R-K018-91-CC-CL  
 CAM LOCK WITH CAM TYPE C01, CL13 CYLINDER CORE MODEL, 20mm CYLINDER HOUSING LENGTH, U-CLIP INSTALLATION, 180 DEGREE COUNTER CLOCKWISE SWING ANGLE, FROM Z TO 6 POSITION, CHROME FINISH, GROUP 3 MASTER KEY SYSTEM, KEYS WITH CAP, CC KEYWAY



# METAL FURNITURE LOCKS



The Lock from Lock Experts

- 4-IN-1 SYSTEM
- 2000 KEY CHANGES
- MASTER KEY SYSTEM
- KEY IS OPTIONAL

B-607X-11-01-C\_-J9Z-R

B-607X-11-01-C\_-J9Z-N\*

B-607X-11-01-C\_-J93-R

B-607U-11-01-C\_-J9Z-R

B-607U-11-01-C\_-J9Z-N\*

B-607U-11-01-C\_-J93-R



NUT  
U-CLIP



**LOCKER**

1. FIXING BY SCREW (THE CAM CAN NOT BE CHANGED)
2. FIXING BY E-RING (THE CAM CAN BE CHANGED)

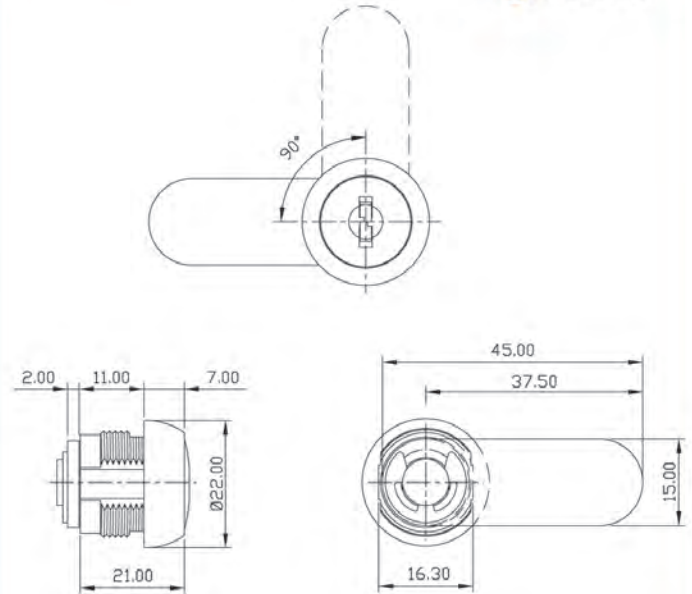
## SPECIFICATIONS

- 11mm CAM LOCK
- 90° ROTARY CAM MOVEMENT
- KEY REMOVABLE IN LOCKED & UNLOCKED POSITIONS
- AVAILABLE IN MASTER KEY & NON-MASTER KEY SYSTEMS
- ZINC ALLOY DIE CAST

## SET INCLUDES

- 1 LOCK HOUSING
- 1 CYLINDER CORE
- 2 KEYS
- 1 CAM TYPE
- 1 HEXAGONAL NUT OR 1 CLIP

## DIMENSIONS



\* WHEN UNLOCKED, KEY CAN FUNCTION AS HANDLE.

## ORDERING DETAILS

CORE SYSTEM	MASTER KEY SYSTEM	MASTER GROUP	MODEL	CYLINDER HOUSING LENGTH	FINISH	CAM / LEVER NO.	TURNING DIRECTION
*SEE CORE SYSTEM SECTION	B NON-MASTER BM MASTER BK MAIN MASTER BG GRAND MASTER *SEE MASTER KEY SYSTEMS SECTION	1-50	607X NUT INSTALLATION 607U U-CLIP INSTALLATION	11mm	01 NICKEL 03 CHROME	C___ *SEE CAM / LEVER SECTION FOR 2.5mm THICKNESS, USE CT___	J CLOCKWISE K COUNTERCLOCKWISE

FROM LOCKED POSITION	TO UNLOCKED POSITION	REMOVAL OF KEY WHEN UNLOCKED	KEY SHAPE	KEYWAY	LOGO
1-Z X 9 8 7 6	Y Z 1 2 3 4 5	R REMOVABLE N NOT REMOVABLE	*SEE CORE SYSTEM SECTION	*SEE MASTER KEY SYSTEMS SECTION	CL

**EXAMPLES:**  
**CL13-B-607X-11-03-C36-J9Z-R-K034-91-CC-CL**  
 CAM LOCK WITH CAM TYPE C36, NUT INSTALLATION, CL13 CYLINDER CORE MODEL, 11mm CYLINDER HOUSING LENGTH, CHROME FINISH, 90 DEGREE CLOCKWISE SWING ANGLE, FROM 9 TO Z POSITION, NON-MASTER KEY SYSTEM, FOLDING KEYS, CC KEYWAY  
**CL13-BM1-607U-11-03-C36-J9Z-N-K018-91-CC-CL**  
 CAM LOCK WITH CAM TYPE C36, U-CLIP INSTALLATION, CL13 CYLINDER CORE MODEL, 11mm CYLINDER HOUSING LENGTH, CHROME FINISH, 90 DEGREE CLOCKWISE SWING ANGLE, FROM 9 TO Z POSITION, GROUP 1 MASTER KEY SYSTEM, KEYS WITH CAP, CC KEYWAY



The Lock from Lock Experts

# METAL FURNITURE LOCKS

4-IN-1 SYSTEM

2000 KEY CHANGES

MASTER KEY SYSTEM

KEY IS OPTIONAL

SYSTEM

**B**

B-607X-16-01-C\_-J9Z-R

B-607X-16-01-C\_-J9Z-N\*

B-607X-16-01-C\_-J93-R

B-607U-16-01-C\_-J9Z-R

B-607U-16-01-C\_-J9Z-N\*

B-607U-16-01-C\_-J93-R



NUT  
U-CLIP



**LOCKER**

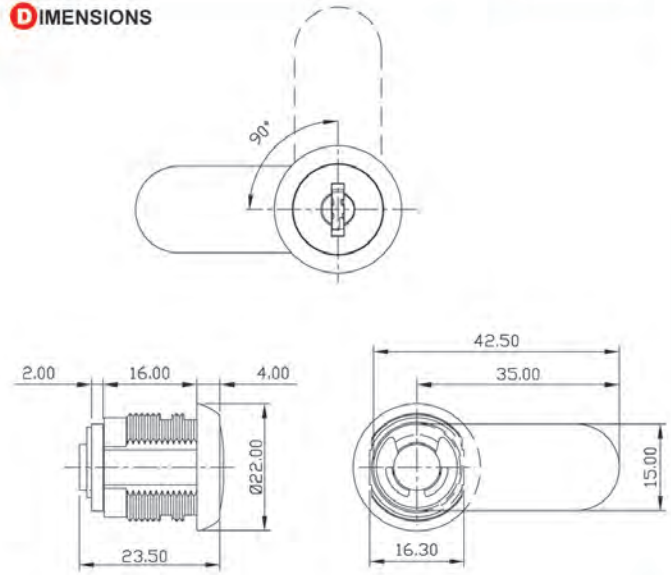
## SPECIFICATIONS

- 16mm CAM LOCK
- 90° ROTARY CAM MOVEMENT
- KEY REMOVABLE IN LOCKED & UNLOCKED POSITIONS
- AVAILABLE IN MASTER KEY & NON-MASTER KEY SYSTEMS
- ZINC ALLOY DIE CAST

## SET INCLUDES

- 1 LOCK HOUSING
- 1 CYLINDER CORE
- 2 KEYS
- 1 CAM TYPE
- 1 HEXAGONAL NUT OR 1 CLIP

## DIMENSIONS



\* WHEN UNLOCKED, KEY CAN FUNCTION AS HANDLE.

## ORDERING DETAILS

CORE SYSTEM	MASTER KEY SYSTEM	MASTER GROUP	MODEL	CYLINDER HOUSING LENGTH	FINISH	CAM / LEVER NO.	TURNING DIRECTION
*SEE CORE SYSTEM SECTION	B NON-MASTER BM MASTER BK MAIN MASTER BG GRAND MASTER *SEE MASTER KEY SYSTEMS SECTION	1-50	607X NUT INSTALLATION 607U U-CLIP INSTALLTION	16mm	01 NICKEL 03 CHROME	C___ *SEE CAM / LEVER SECTION FOR 2.5mm THICKNESS, USE CT___	J CLOCKWISE K COUNTERCLOCKWISE

FROM LOCKED POSITION	TO UNLOCKED POSITION	REMOVAL OF KEY WHEN UNLOCKED	KEY SHAPE	KEYWAY	LOGO
1-Z X 9 8 7 6	Y Z 1 2 3 4 5	R REMOVABLE N NOT REMOVABLE	*SEE CORE SYSTEM SECTION	*SEE MASTER KEY SYSTEMS SECTION	CL

EXAMPLES:  
**CL13-B-607X-16-03-C01-J9Z-R-K034-91-CC-CL**  
 CAM LOCK WITH CAM TYPE C01, NUT INSTALLATION, CL13 CYLINDER CORE MODEL, 16mm CYLINDER HOUSING LENGTH, CHROME FINISH, 90 DEGREE CLOCKWISE SWING ANGLE, FROM 9 TO Z POSITION, NON-MASTER KEY SYSTEM, FOLDING KEYS, CC KEYWAY  
**CL43-BM1-607U-16-03-C01-J9Z-R-K071-91-WA-CL**  
 CAM LOCK WITH CAM TYPE C01, U-CLIP INSTALLATION, CL43 CYLINDER CORE MODEL, 16mm CYLINDER HOUSING LENGTH, CHROME FINISH, 90 DEGREE CLOCKWISE SWING ANGLE, FROM 9 TO Z POSITION, GROUP 1 MASTER KEY SYSTEM, KEYS WITH CAP, WA KEYWAY



# METAL FURNITURE LOCKS



The Lock from Lock Experts

- 4-IN-1 SYSTEM
- 2000 KEY CHANGES
- MASTER KEY SYSTEM
- KEY IS OPTIONAL



## LOCKER

- B-607X-20-01-C\_-J9Z-R
- B-607X-20-01-C\_-J9Z-N\*
- B-607X-20-01-C\_-J93-R
- B-607U-20-01-C\_-J9Z-R
- B-607U-20-01-C\_-J9Z-N\*
- B-607U-20-01-C\_-J93-R



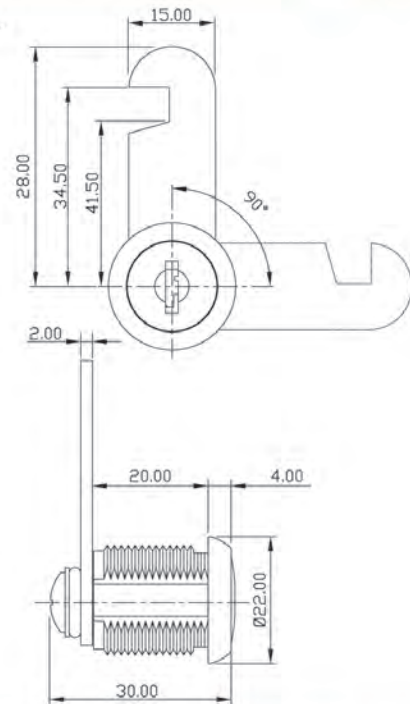
### SPECIFICATIONS

- 20mm CAM LOCK
- 90° ROTARY CAM MOVEMENT
- KEY REMOVABLE IN LOCKED & UNLOCKED POSITIONS
- AVAILABLE IN MASTER KEY & NON-MASTER KEY SYSTEMS
- ZINC ALLOY DIE CAST

### SET INCLUDES

- 1 LOCK HOUSING
- 1 CYLINDER CORE
- 2 KEYS
- 1 CAM TYPE
- 1 HEXAGONAL NUT OR 1 CLIP

### DIMENSIONS



### ORDERING DETAILS

\* WHEN UNLOCKED, KEY CAN FUNCTION AS HANDLE.

CORE SYSTEM	MASTER KEY SYSTEM	MASTER GROUP	MODEL	CYLINDER HOUSING LENGTH	FINISH	CAM / LEVER NO.	TURNING DIRECTION
*SEE CORE SYSTEM SECTION	B NON-MASTER BM MASTER BK MAIN MASTER BG GRAND MASTER *SEE MASTER KEY SYSTEMS SECTION	1-50	607X NUT INSTALLATION 607U U-CLIP INSTALLTION	20mm	01 NICKEL 03 CHROME	C___ *SEE CAM / LEVER SECTION FOR 2.5mm THICKNESS, USE CT___	J CLOCKWISE K COUNTERCLOCKWISE

FROM LOCKED POSITION	TO UNLOCKED POSITION	REMOVAL OF KEY WHEN UNLOCKED	KEY SHAPE	KEYWAY	LOGO
1-Z X 9 8 7 6	Y Z 1 2 3 4 5	R REMOVABLE N NOT REMOVABLE	*SEE CORE SYSTEM SECTION	*SEE MASTER KEY SYSTEMS SECTION	CL

#### EXAMPLES:

CL13- BM1-607X-20-01-C18-JZ3-R-K018-91-CC-CL  
CAM LOCK WITH CAM TYPE C18, NUT INSTALLATION, CL13 CYLINDER CORE MODEL, 20mm CYLINDER HOUSING LENGTH, NICKEL FINISH, 90 DEGREE CLOCKWISE SWING ANGLE, FROM Z TO 3 POSITION, GROUP 1 MASTER KEY SYSTEM, KEYS WITH CAP, CC KEYWAY

CL43- B-607U-20-01-C18-JZ3-R-K072-91-WA-CL  
CAM LOCK WITH CAM TYPE C18, U-CLIP INSTALLATION, CL43 CYLINDER CORE MODEL, 20mm CYLINDER HOUSING LENGTH, NICKEL FINISH, 90 DEGREE CLOCKWISE SWING ANGLE, FROM Z TO 3 POSITION, NON-MASTER KEY SYSTEM, FOLDING KEYS, WA KEYWAY



The Lock from Lock Experts

# METAL FURNITURE LOCKS

- 4-IN-1 SYSTEM
- 2000 KEY CHANGES
- MASTER KEY SYSTEM
- KEY IS OPTIONAL



NUT  
U-CLIP



**LOCKER**

B-607X-30-01-C\_-J9Z-R

B-607X-30-01-C\_-J9Z-N\*

B-607X-30-01-C\_-J93-R

B-607U-30-01-C\_-J9Z-R

B-607U-30-01-C\_-J9Z-N\*

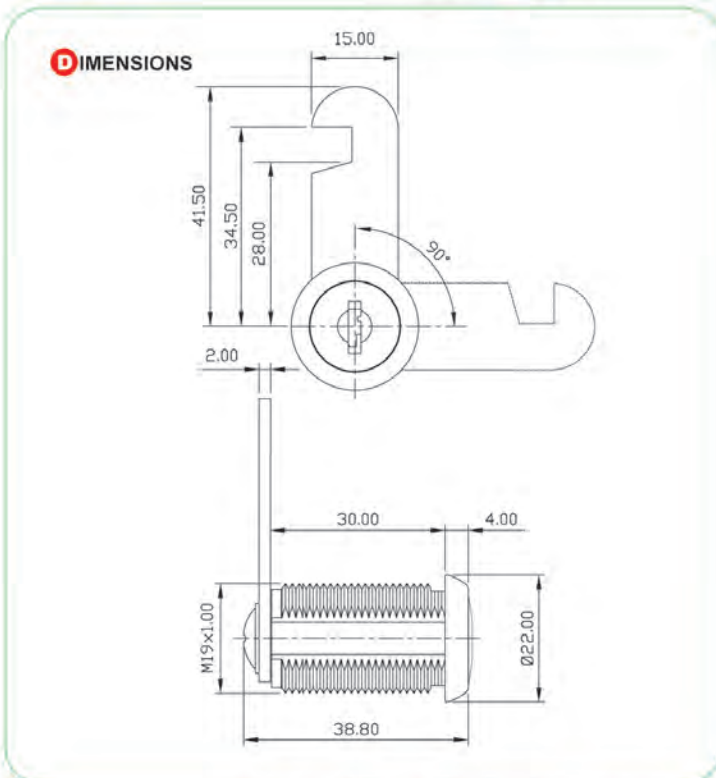
B-607U-30-01-C\_-J93-R

## SPECIFICATIONS

- 30mm CAM LOCK WITH CAM TYPE C18
- 90° ROTARY CAM MOVEMENT
- KEY REMOVABLE IN LOCKED & UNLOCKED POSITIONS
- AVAILABLE IN MASTER KEY & NON-MASTER KEY SYSTEMS
- ZINC ALLOY DIE CAST

## SET INCLUDES

- 1 LOCK HOUSING
- 1 CYLINDER CORE
- 2 KEYS
- 1 HEXAGONAL NUT OR 1 CLIP
- 1 CAM TYPE



\* WHEN UNLOCKED, KEY CAN FUNCTION AS HANDLE.

## ORDERING DETAILS

CORE SYSTEM	MASTER KEY SYSTEM	MASTER GROUP	MODEL	CYLINDER HOUSING LENGTH	FINISH	CAM / LEVER NO.	TURNING DIRECTION
*SEE CORE SYSTEM SECTION	B NON-MASTER BM MASTER BK MAIN MASTER BG GRAND MASTER *SEE MASTER KEY SYSTEMS SECTION	1-50	607X NUT INSTALLATION 607U U-CLIP INSTALLATION	30mm	01 NICKEL	C_... *SEE CAM / LEVER SECTION FOR 2.5mm THICKNESS, USE CT_...	J CLOCKWISE K COUNTERCLOCKWISE

FROM LOCKED POSITION	TO UNLOCKED POSITION	REMOVAL OF KEY WHEN UNLOCKED	KEY SHAPE	KEYWAY	LOGO
1-Z X 9 8 7 6	Y Z 1 2 3 4 5	R REMOVABLE N NOT REMOVABLE	*SEE CORE SYSTEM SECTION	*SEE MASTER KEY SYSTEMS SECTION	CL

**EXAMPLES:**  
**CL13-BM2-607X-30-01-C18-JZ3-R-K018-91-CC-CL**  
 CAM LOCK WITH CAM TYPE C18, NUT INSTALLATION, CL13 CYLINDER CORE MODEL, 30mm CYLINDER HOUSING LENGTH, NICKEL FINISH, 90 DEGREE CLOCKWISE SWING ANGLE, FROM Z TO 3 POSITION, GROUP 2 MASTER KEY SYSTEM, KEYS WITH CAP, CC KEYWAY  
**CL43-B-607U-30-01-C18-JZ3-R-K072-91-WA-CL**  
 CAM LOCK WITH CAM TYPE C18, U-CLIP INSTALLATION, CL43 CYLINDER CORE MODEL, 30mm CYLINDER HOUSING LENGTH, NICKEL FINISH, 90 DEGREE CLOCKWISE SWING ANGLE, FROM Z TO 3 POSITION, NON-MASTER KEY SYSTEM, FOLDING KEYS, WA KEYWAY



# METAL FURNITURE LOCKS

The Lock from Lock Experts

**B**

4-IN-1 SYSTEM

2000 KEY CHANGES

MASTER KEY SYSTEM

KEY IS OPTIONAL

B-607(03)X-20-01-C\_-J9Z-R

B-607(03)X-20-01-C\_-J9Z-N\*

B-607(03)X-20-01-C\_-J93-R

B-607(03)U-20-01-C\_-J9Z-R

B-607(03)U-20-01-C\_-J9Z-N\*

B-607(03)U-20-01-C\_-J93-R



NUT  
U-CLIP



**LOCKER**

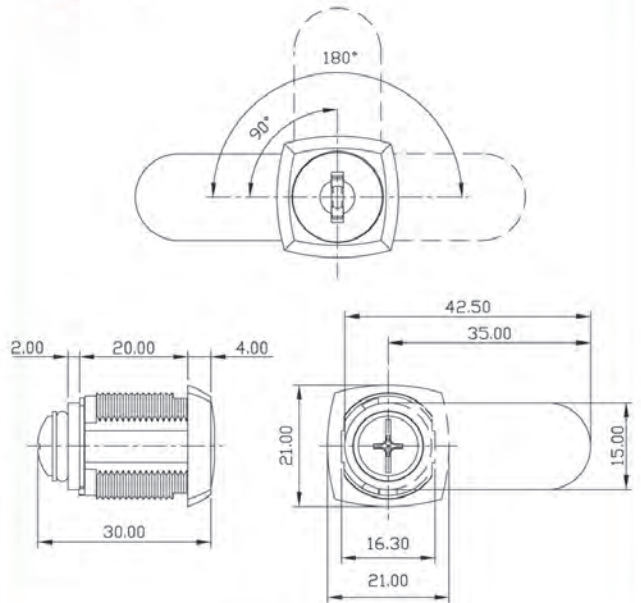
## SPECIFICATIONS

- 20mm CAM LOCK
- 90° OR 180° ROTARY CAM MOVEMENT
- KEY REMOVABLE IN LOCKED & UNLOCKED POSITIONS
- AVAILABLE IN MASTER KEY & NON-MASTER KEY SYSTEMS
- ZINC ALLOY DIE CAST

## SET INCLUDES

- 1 LOCK HOUSING
- 1 CYLINDER CORE
- 2 KEYS
- 1 HEXAGONAL NUT OR 1 CLIP
- 1 CAM TYPE

## DIMENSIONS



\* WHEN UNLOCKED, KEY CAN FUNCTION AS HANDLE.

## ORDERING DETAILS

CORE SYSTEM	MASTER KEY SYSTEM	MASTER GROUP	MODEL	CYLINDER HOUSING LENGTH	FINISH	CAM / LEVER NO.	TURNING DIRECTION
*SEE CORE SYSTEM SECTION	B NON-MASTER BM MASTER BK MAIN MASTER BG GRAND MASTER *SEE MASTER KEY SYSTEMS SECTION	1-50	607(03)X NUT INSTALLATION 607(03)U U-CLIP INSTALLATION	20mm	01 NICKEL 03 CHROME	C_ _ _ *SEE CAM / LEVER SECTION FOR 2.5mm THICKNESS, USE CT_ _ _	J CLOCKWISE K COUNTERCLOCKWISE

FROM LOCKED POSITION	TO UNLOCKED POSITION	REMOVAL OF KEY WHEN UNLOCKED	KEY SHAPE	KEYWAY	LOGO
1-Z X 9 8 7 6	Z 1 2 3 4 5 6	R REMOVABLE N NOT REMOVABLE	*SEE CORE SYSTEM SECTION	*SEE MASTER KEY SYSTEMS SECTION	CL

**EXAMPLES:**  
**CL13-B-607(03)X-20-03-C02-J93-R-K034-91-CC-CL**  
 CAM LOCK WITH CAM TYPE C02, NUT INSTALLATION, CL13 CYLINDER CORE MODEL, 20mm CYLINDER HOUSING LENGTH, CHROME FINISH, 180 DEGREE CLOCKWISE SWING ANGLE, FROM 9 TO 3 POSITION, NON-MASTER KEY SYSTEM, FOLDING KEYS, CC KEYWAY  
**CL13-BM1-607(03)U-20-03-C28-J93-R-K018-91-CC-CL**  
 CAM LOCK WITH CAM TYPE C28, U-CLIP INSTALLATION, CL13-CYLINDER CORE MODEL, 20mm CYLINDER HOUSING LENGTH, CHROME FINISH, 180 DEGREE CLOCKWISE SWING ANGLE, FROM 9 TO 3 POSITION, GROUP 1 MASTER KEY SYSTEM, KEYS WITH CAP, CC KEYWAY



The Lock from Lock Experts

# METAL FURNITURE LOCKS

4-IN-1 SYSTEM

2000 KEY CHANGES

MASTER KEY SYSTEM

KEY IS OPTIONAL



## SLIDING DOOR CABINET

B-562-91-UP



B-562-98-UP



FOR : 0.8-1mm METAL THICKNESS

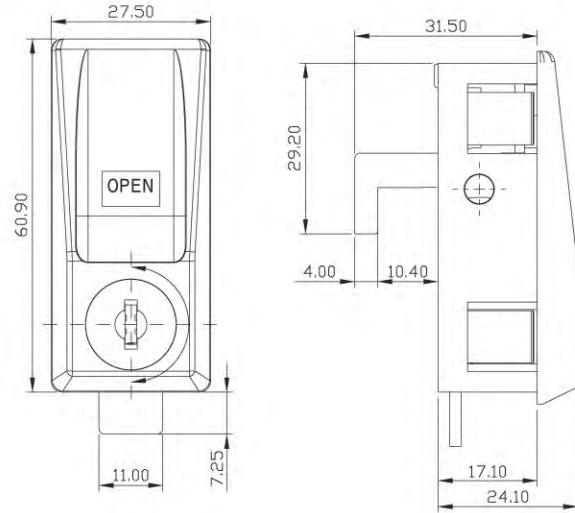
### SPECIFICATIONS

- QUICK-FIX SYSTEM
- PLASTIC SLIDING DOOR LOCK WITH HOOK
- 180° KEY ROTATION
- KEY REMOVABLE IN LOCKED & UNLOCKED POSITIONS
- AVAILABLE IN MASTER KEY & NON-MASTER KEY SYSTEMS
- NON-REMOVABLE CORE SYSTEM

### SET INCLUDES

- 1 LOCK HOUSING
- 1 CYLINDER CORE
- 2 KEYS

### DIMENSIONS



### ORDERING DETAILS

CORE SYSTEM	MASTER KEY SYSTEM	MASTER GROUP	MODEL	FINISH	VERSION	KEY SHAPE	KEYWAY	LOGO
*SEE CORE SYSTEM SECTION	B NON-MASTER BM MASTER BK MAIN MASTER BG GRAND MASTER *SEE MASTER KEY SYSTEMS SECTION	1-50	562	91 BLACK 98 CREAM	UP DOWN	*SEE CORE SYSTEM SECTION	*SEE MASTER KEY SYSTEMS SECTION	CL

#### EXAMPLES:

CL13-B-562-91-UP-K080-91-CC-CL

UP VERSION PLASTIC SLIDING DOOR LOCK WITH HOOK, CL13 CYLINDER CORE MEODEL, BLACK FINISH, NON-MASTER KEY SYSTEM, FOLDING KEYS, CC KEYWAY

CL13-BM1-562-91-DOWN-K079-91-CC-CL

DOWN VERSION PLASTIC SLIDING DOOR LOCK WITH HOOK, CL13 CYLINDER CORE MEODEL, BLACK FINISH, GROUP 1 MASTER KEY SYSTEM, KEYS WITH CAP, CC KEYWAY



# METAL FURNITURE LOCKS



The Lock from Lock Experts

4-IN-1 SYSTEM

2000 KEY CHANGES

MASTER KEY SYSTEM

KEY IS OPTIONAL



## SLIDING DOOR CABINET

B-562H-91



B-562H-98



FOR : 0.8-1mm METAL THICKNESS

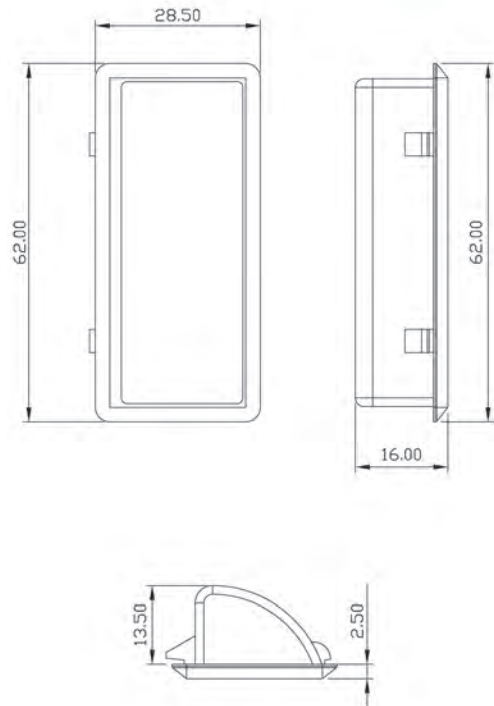
### SPECIFICATIONS

- PLASTIC SLIDING DOOR HANDLE
- TO BE USED WITH B-562

### SET INCLUDES

- 2 HANDLES

### DIMENSIONS



### ORDERING DETAILS

MASTER KEY SYSTEM	MODEL	FINISH
B NON-MASTER	562H	91 BLACK 98 CREAM
*SEE MASTER KEY SYSTEMS SECTION		

#### EXAMPLES:

B-562H-91  
PLASTIC SLIDING DOOR HANDLE, BLACK FINISH



The Lock from Lock Experts

# METAL FURNITURE LOCKS

4-IN-1  
SYSTEM

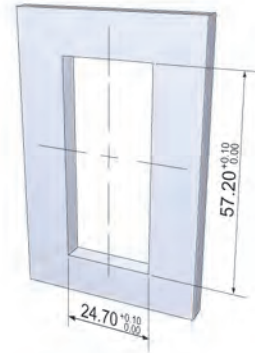
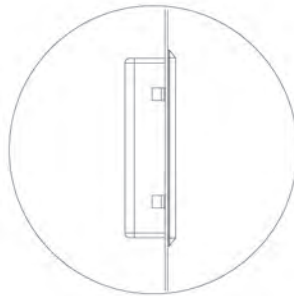
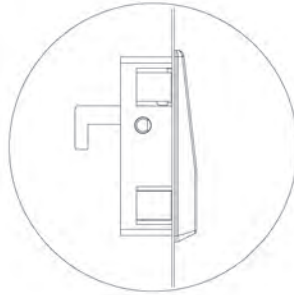
2000  
KEY CHANGES

MASTER  
KEY SYSTEM

KEY  
IS OPTIONAL



## SLIDING DOOR CABINET

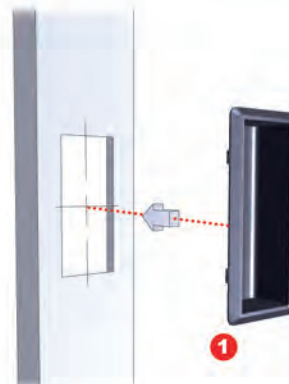


**D** RILL HOLE

### FIXING DETAILS



OPEN



CLOSE





# METAL FURNITURE LOCKS



The Lock from Lock Experts

4-IN-1 SYSTEM

2000 KEY CHANGES

MASTER KEY SYSTEM

KEY IS OPTIONAL



NUT  
U-CLIP



## 2-DRAWER PEDESTAL

B-607X-20-01-C24-JZ6-R

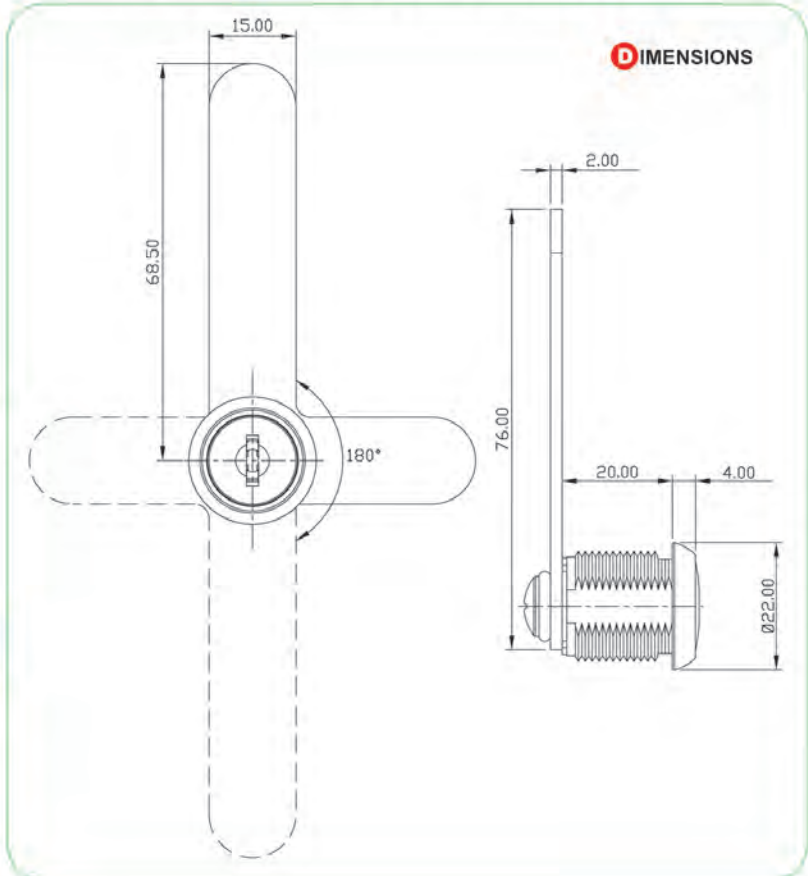
B-607U-20-01-C24-JZ6-R

### SPECIFICATIONS

- 20mm 2-DRAWER PEDESTAL LOCK WITH CAM TYPE C24
- 180° ROTARY CAM MOVEMENT
- KEY REMOVABLE IN LOCKED & UNLOCKED POSITIONS
- AVAILABLE IN MASTER KEY & NON-MASTER KEY SYSTEMS
- NON-REMOVABLE CORE SYSTEM
- ZINC ALLOY DIE CAST

### SET INCLUDES

- 1 LOCK HOUSING
- 1 CYLINDER CORE
- 2 KEYS
- 1 HEXAGONAL NUT OR 1 CLIP
- 1 CAM TYPE



### ORDERING DETAILS

CORE SYSTEM	MASTER KEY SYSTEM	MASTER GROUP	MODEL	CYLINDER HOUSING LENGTH	FINISH	CAM / LEVER NO.	TURNING DIRECTION
*SEE CORE SYSTEM SECTION	B NON-MASTER BM MASTER BK MAIN MASTER BG GRAND MASTER *SEE MASTER KEY SYSTEMS SECTION	1-50	607X NUT INSTALLATION 607U U-CLIP INSTALLATION	20mm	01 NICKEL 03 CHROME	C___ *SEE CAM / LEVER SECTION	J CLOCKWISE K COUNTERCLOCKWISE

FROM LOCKED POSITION	TO UNLOCKED POSITION	REMOVAL OF KEY WHEN UNLOCKED	KEY SHAPE	KEYWAY	LOGO
1-Z X 9 8 7 6	Z 1 2 3 4 5 6	R REMOVABLE	*SEE CORE SYSTEM SECTION	*SEE MASTER KEY SYSTEMS SECTION	CL

#### EXAMPLES:

CL33-BM1-607X-20-01-C24-JZ6-R-K056-91-GA-CL  
2-DRAWER PEDESTAL LOCK WITH CAM TYPE C24, NUT INSTALLATION, CL33 CYLINDER CORE MODEL, 20mm CYLINDER HOUSING LENGTH, NICKEL FINISH, 180 DEGREE CLOCKWISE SWING ANGLE, FROM Z TO 6 POSITION, GROUP 1 MASTER KEY SYSTEM, FOLDING KEYS, GA KEYWAY

CL13-BM3-607U-20-03-C24-JZ6-R-K018-91-CC-CL  
2-DRAWER PEDESTAL LOCK WITH CAM TYPE C24, U-CLIP INSTALLATION, CL13 CYLINDER CORE MODEL, 20mm CYLINDER HOUSING LENGTH, CHROME FINISH, 180 DEGREE CLOCKWISE SWING ANGLE, FROM Z TO 6 POSITION, GROUP 3 MASTER KEY SYSTEM, KEYS WITH CAP, CC KEYWAY



The Lock from Lock Experts

# METAL FURNITURE LOCKS

4-IN-1 SYSTEM

2000 KEY CHANGES

MASTER KEY SYSTEM

KEY IS OPTIONAL

SYSTEM

B



NUT  
U-CLIP



## 2-DRAWER PEDESTAL

B-607X-20-01-C28-JZ6-R

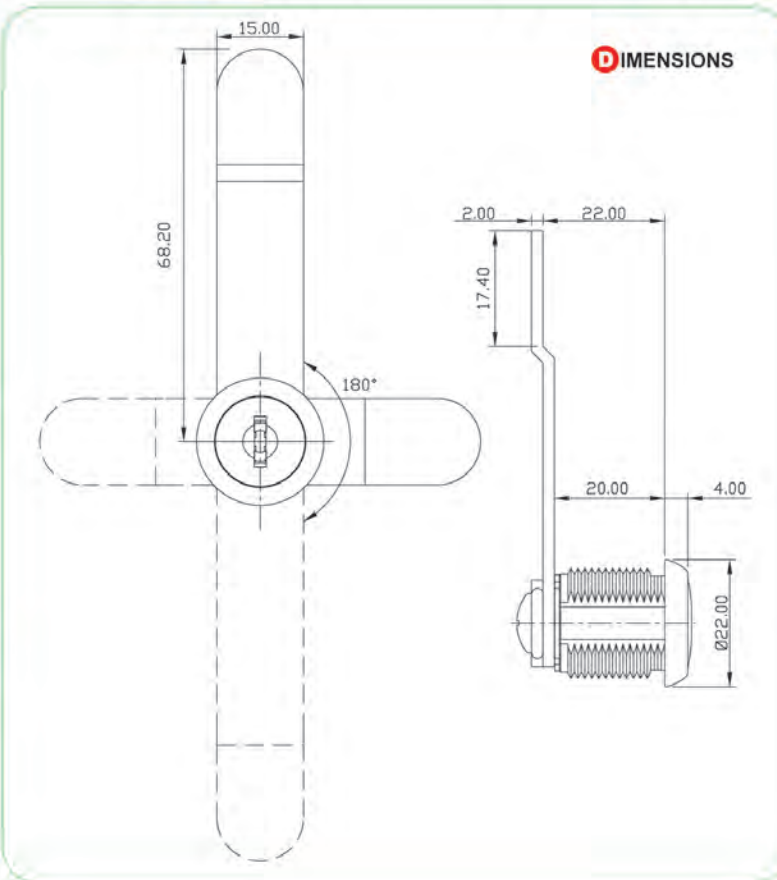
B-607U-20-01-C28-JZ6-R

### SPECIFICATIONS

- 20mm 2-DRAWER PEDESTAL LOCK WITH CAM TYPE C28
- 180° ROTARY CAM MOVEMENT
- KEY REMOVABLE IN LOCKED & UNLOCKED POSITIONS
- AVAILABLE IN MASTER KEY & NON-MASTER KEY SYSTEMS
- NON-REMOVABLE CORE SYSTEM
- ZINC ALLOY DIE CAST

### SET INCLUDES

- 1 LOCK HOUSING
- 1 CYLINDER CORE
- 2 KEYS
- 1 HEXAGONAL NUT OR 1 CLIP
- 1 CAM TYPE



### ORDERING DETAILS

CORE SYSTEM	MASTER KEY SYSTEM	MASTER GROUP	MODEL	CYLINDER HOUSING LENGTH	FINISH	CAM / LEVER NO.	TURNING DIRECTION
*SEE CORE SYSTEM SECTION	B NON-MASTER BM MASTER BK MAIN MASTER BG GRAND MASTER *SEE MASTER KEY SYSTEMS SECTION	1-50	607X NUT INSTALLATION 607U U-CLIP INSTALLATION	20mm	01 NICKEL 03 CHROME	C ___ *SEE CAM / LEVER SECTION	J CLOCKWISE K COUNTERCLOCKWISE

FROM LOCKED POSITION	TO UNLOCKED POSITION	REMOVAL OF KEY WHEN UNLOCKED	KEY SHAPE	KEYWAY	LOGO
1-Z X Y Z 1 2 3 9 8 7 6	1-Z	R REMOVABLE	*SEE CORE SYSTEM SECTION	*SEE MASTER KEY SYSTEMS SECTION	CL

EXAMPLES:  
**CL33-BM1-607X-20-01-C28-JZ6-R-K056-91-GA-CL**  
 2-DRAWER PEDESTAL LOCK WITH CAM TYPE C28, NUT INSTALLATION, CL33 CYLINDER CORE MODEL, 20mm CYLINDER HOUSING LENGTH, NICKEL FINISH, 180 DEGREE CLOCKWISE SWING ANGLE, FROM 2 TO 6 POSITION, GROUP 1 MASTER KEY SYSTEM, FOLDING KEYS, GA KEYWAY  
**CL13-BM3-607U-20-03-C28-JZ6-R-K018-91-CC-CL**  
 2-DRAWER PEDESTAL LOCK WITH CAM TYPE C28, U-CLIP INSTALLATION, CL13 CYLINDER CORE MODEL, 20mm CYLINDER HOUSING LENGTH, CHROME FINISH, 180 DEGREE CLOCKWISE SWING ANGLE, FROM 2 TO 6 POSITION, GROUP 3 MASTER KEY SYSTEM, KEYS WITH CAP, CC KEYWAY



# METAL FURNITURE LOCKS



The Lock from Lock Experts

4-IN-1 SYSTEM

2000 KEY CHANGES

MASTER KEY SYSTEM

KEY IS OPTIONAL



NUT  
U-CLIP

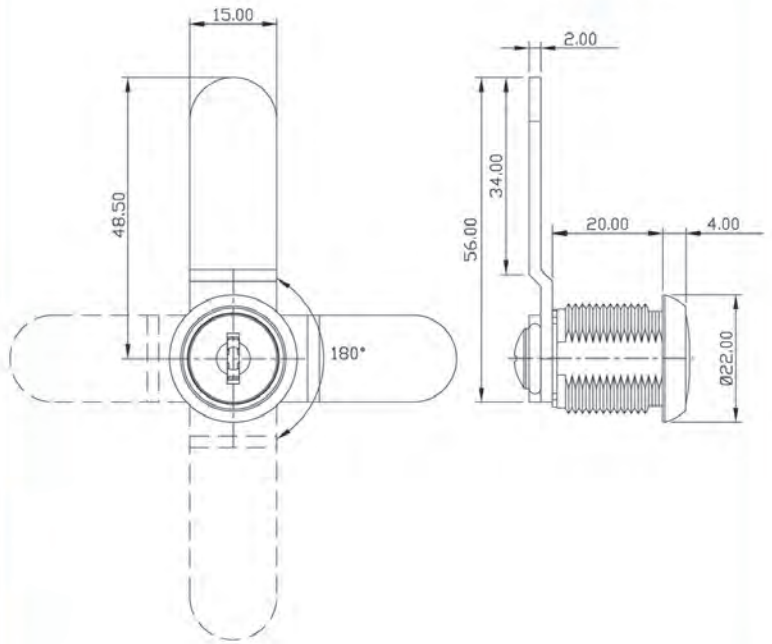


## 2-DRAWER PEDESTAL

B-607X-20-01-C30-JZ6-R

B-607U-20-01-C30-JZ6-R

### DIMENSIONS



### SPECIFICATIONS

- 20mm 2-DRAWER PEDESTAL LOCK WITH CAM TYPE C30
- 180° ROTARY CAM MOVEMENT
- KEY REMOVABLE IN LOCKED & UNLOCKED POSITIONS
- AVAILABLE IN MASTER KEY & NON-MASTER KEY SYSTEMS
- NON-REMOVABLE CORE SYSTEM
- ZINC ALLOY DIE CAST

### SET INCLUDES

- 1 LOCK HOUSING
- 1 CYLINDER CORE
- 2 KEYS
- 1 HEXAGONAL NUT OR 1 CLIP
- 1 CAM TYPE

### ORDERING DETAILS

CORE SYSTEM	MASTER KEY SYSTEM	MASTER GROUP	MODEL	CYLINDER HOUSING LENGTH	FINISH	CAM / LEVER NO.	TURNING DIRECTION
*SEE CORE SYSTEM SECTION	B NON-MASTER BM MASTER BK MAIN MASTER BG GRAND MASTER *SEE MASTER KEY SYSTEMS SECTION	1-50	607X NUT INSTALLATION 607U U-CLIP INSTALLATION	20mm	01 NICKEL 03 CHROME	C_ ___ *SEE CAM / LEVER SECTION	J CLOCKWISE K COUNTERCLOCKWISE

FROM LOCKED POSITION	TO UNLOCKED POSITION	REMOVAL OF KEY WHEN UNLOCKED	KEY SHAPE	KEYWAY	LOGO
1-Z X Y Z 9 8 7 6 1 2 3 4 5	1-Z	R REMOVABLE	*SEE CORE SYSTEM SECTION	*SEE MASTER KEY SYSTEMS SECTION	CL

EXAMPLES:  
**CL33-BM1-607X-20-01-C30-JZ6-R-K056-91-GA-CL**  
 2-DRAWER PEDESTAL LOCK WITH CAM TYPE C30, NUT INSTALLATION, CL33 CYLINDER CORE MODEL, 20mm CYLINDER HOUSING LENGTH, NICKEL FINISH, 180 DEGREE CLOCKWISE SWING ANGLE, FROM Z TO 6 POSITION, GROUP 1 MASTER KEY SYSTEM, FOLDING KEYS, GA KEYWAY  
**CL13-BM3-607U-20-03-C30-JZ6-R-K018-91-CC-CL**  
 2-DRAWER PEDESTAL LOCK WITH CAM TYPE C30, U-CLIP INSTALLATION, CL13 CYLINDER CORE MODEL, 20mm CYLINDER HOUSING LENGTH, CHROME FINISH, 180 DEGREE CLOCKWISE SWING ANGLE, FROM Z TO 6 POSITION, GROUP 3 MASTER KEY SYSTEM, KEYS WITH CAP, CC KEYWAY



The Lock from Lock Experts

# METAL FURNITURE LOCKS

- 4-IN-1 SYSTEM
- 2000 KEY CHANGES
- MASTER KEY SYSTEM
- KEY IS OPTIONAL



NUT  
U-CLIP



## 2-DRAWER PEDESTAL

**B-607X-20-01-C32-JZ6-R**

**B-607U-20-01-C32-JZ6-R**

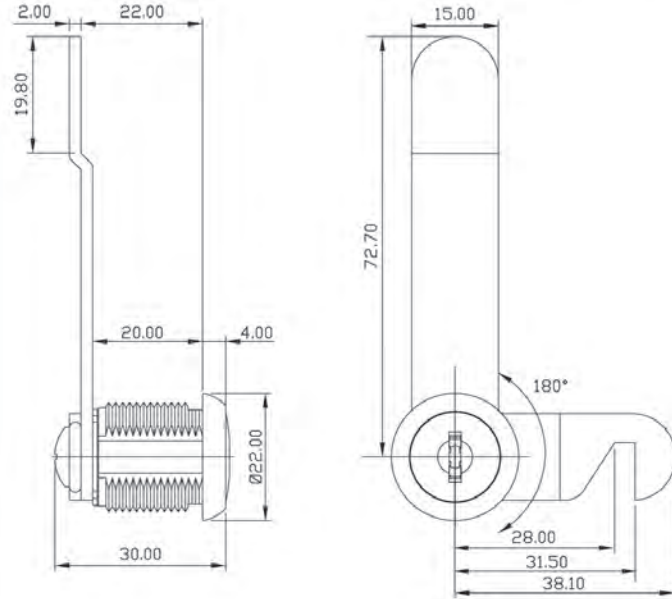
### SPECIFICATIONS

- 20mm 2-DRAWER PEDESTAL LOCK WITH CAM TYPE C32
- 180° ROTARY CAM MOVEMENT
- KEY REMOVABLE IN LOCKED & UNLOCKED POSITIONS
- AVAILABLE IN MASTER KEY & NON-MASTER KEY SYSTEMS
- NON-REMOVABLE CORE SYSTEM
- ZINC ALLOY DIE CAST

### SET INCLUDES

- 1 LOCK HOUSING
- 1 CYLINDER CORE
- 2 KEYS
- 1 HEXAGONAL NUT OR 1 CLIP
- 1 CAM TYPE

### DIMENSIONS



### ORDERING DETAILS

CORE SYSTEM	MASTER KEY SYSTEM	MASTER GROUP	MODEL	CYLINDER HOUSING LENGTH	FINISH	CAM / LEVER NO.	TURNING DIRECTION
*SEE CORE SYSTEM SECTION	B NON-MASTER BM MASTER BK MAIN MASTER BG GRAND MASTER *SEE MASTER KEY SYSTEMS SECTION	1-50	607X NUT INSTALLATION 607U U-CLIP INSTALLATION	20mm	01 NICKEL 03 CHROME	C... *SEE CAM / LEVER SECTION	J CLOCKWISE K COUNTERCLOCKWISE

FROM LOCKED POSITION	TO UNLOCKED POSITION	REMOVAL OF KEY WHEN UNLOCKED	KEY SHAPE	KEYWAY	LOGO
1-Z X 9 8 7	Y Z 1 2 3 4 5 6	R REMOVABLE	*SEE CORE SYSTEM SECTION	*SEE MASTER KEY SYSTEMS SECTION	CL

#### EXAMPLES:

**CL43-BM1-607X-20-01-C32-JZ6-R-K072-91-WA-CL**  
 2-DRAWER PEDESTAL LOCK WITH CAM TYPE C32, NUT INSTALLATION, CL43 CYLINDER CORE MODEL, 20mm CYLINDER HOUSING LENGTH, NICKEL FINISH, 180 DEGREE CLOCKWISE SWING ANGLE, FROM Z TO 6 POSITION, GROUP 1 MASTER KEY SYSTEM, FOLDING KEYS, WA KEYWAY

**CL33-BM1-607U-20-03-C32-JZ6-R-K054-91-GA-CL**  
 2-DRAWER PEDESTAL LOCK WITH CAM TYPE C32, U-CLIP INSTALLATION, CL33 CYLINDER CORE MODEL, 20mm CYLINDER HOUSING LENGTH, CHROME FINISH, 180 DEGREE CLOCKWISE SWING ANGLE, FROM Z TO 6 POSITION, GROUP 1 MASTER KEY SYSTEM, KEYS WITH CAP, GA KEYWAY



# METAL FURNITURE LOCKS



The Lock from Lock Experts

4-IN-1 SYSTEM

2000 KEY CHANGES

MASTER KEY SYSTEM

KEY IS OPTIONAL



NUT  
U-CLIP



## SWING DOOR CABINET

B-607X-20-01-C13-JZ3-R

B-607U-20-01-C13-JZ3-R

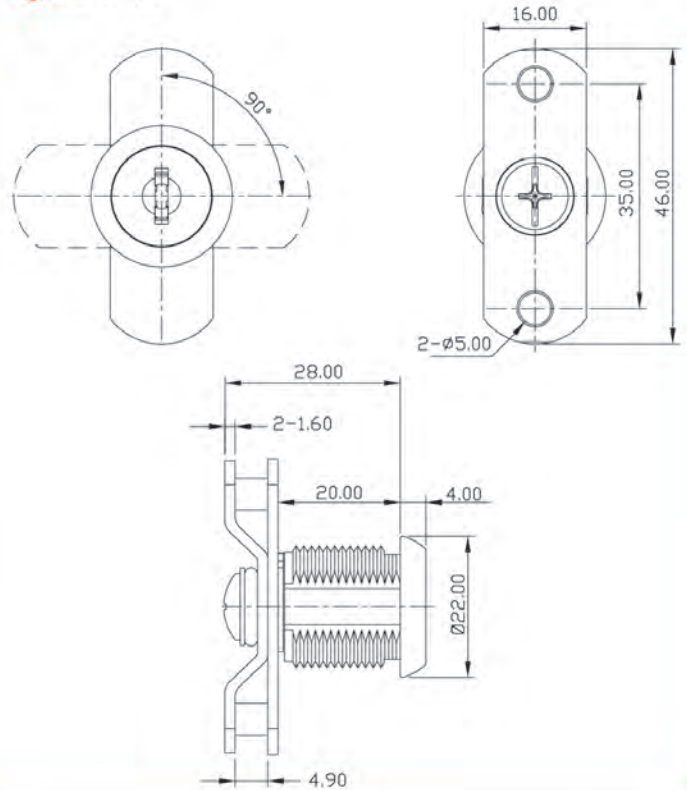
### SPECIFICATIONS

- 20mm CAM LOCK WITH CAM TYPE C13
- 90° ROTARY CAM MOVEMENT
- KEY REMOVABLE IN LOCKED & UNLOCKED POSITIONS
- AVAILABLE IN MASTER KEY & NON-MASTER KEY SYSTEMS
- ZINC ALLOY DIE CAST

### SET INCLUDES

- 1 LOCK HOUSING
- 1 CYLINDER CORE
- 2 KEYS
- 1 HEXAGONAL NUT OR 1 CLIP
- 1 CAM TYPE

### DIMENSIONS



### ORDERING DETAILS

CORE SYSTEM	MASTER KEY SYSTEM	MASTER GROUP	MODEL	CYLINDER HOUSING LENGTH	FINISH	CAM / LEVER NO.	TURNING DIRECTION
*SEE CORE SYSTEM SECTION	B NON-MASTER BM MASTER BK MAIN MASTER BG GRAND MASTER *SEE MASTER KEY SYSTEMS SECTION	1-50	607X NUT INSTALLATION 607U U-CLIP INSTALLATION	20mm	01 NICKEL 03 CHROME	*SEE CAM / LEVER SECTION	J CLOCKWISE K COUNTERCLOCKWISE

FROM LOCKED POSITION	TO UNLOCKED POSITION	REMOVAL OF KEY WHEN UNLOCKED	KEY SHAPE	KEYWAY	LOGO
1-Z X Y Z 9 8 7 6 3 4 5	1-Z	R REMOVABLE	*SEE CORE SYSTEM SECTION	*SEE MASTER KEY SYSTEMS SECTION	CL

#### EXAMPLES:

CL33-B-607X-20-01-C13-J9Z-R-K054-91-GA-CL  
CAM LOCK WITH CAM TYPE C13, NUT INSTALLATION, CL33 CYLINDER CORE MODEL, 20mm CYLINDER HOUSING LENGTH, NICKEL FINISH, 90 DEGREE CLOCKWISE SWING ANGLE, FROM 9 TO Z POSITION, NON-MASTER KEY SYSTEM, KEYS WITH CAP, GA KEYWAY

CL13-BM1-607U-20-03-C13-J9Z-R-K034-91-CC-CL  
CAM LOCK WITH CAM TYPE C13, U-CLIP INSTALLATION, CL13 CYLINDER CORE MODEL, 20mm CYLINDER HOUSING LENGTH, CHROME FINISH, 90 DEGREE CLOCKWISE SWING ANGLE, FROM 9 TO Z POSITION, GROUP 1 MASTER KEY SYSTEM, FOLDING KEYS, CC KEYWAY



The Lock from Lock Experts

# METAL FURNITURE LOCKS

4-IN-1 SYSTEM

2000 KEY CHANGES

MASTER KEY SYSTEM

KEY IS OPTIONAL



B-161-03



## SWING DOOR CABINET

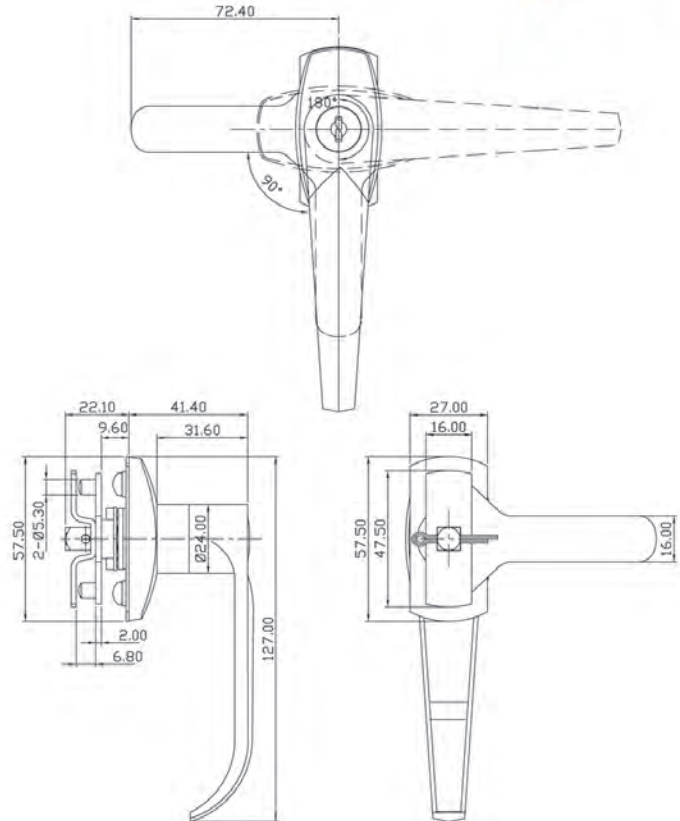
### SPECIFICATIONS

- L-HANDLE LOCK, CHROME FINISH
- 90° ROTARY CAM MOVEMENT
- 180° KEY ROTATION
- KEY REMOVABLE IN LOCKED & UNLOCKED POSITIONS
- AVAILABLE IN MASTER KEY & NON-MASTER KEY SYSTEMS

### SET INCLUDES

- 1 HANDLE LOCK HOUSING
- 1 CYLINDER CORE
- 2 KEYS
- 1 TYPE G022 CAM

### DIMENSIONS



### ORDERING DETAILS

CORE SYSTEM	MASTER KEY SYSTEM	MASTER GROUP	MODEL	FINISH	KEY SHAPE	KEYWAY	LOGO
*SEE CORE SYSTEM SECTION	B NON-MASTER BM MASTER BK MAIN MASTER BG GRAND MASTER *SEE MASTER KEY SYSTEMS SECTION	1-50	161	03 CHROME	*SEE CORE SYSTEM SECTION	*SEE MASTER KEY SYSTEMS SECTION	CL

#### EXAMPLES:

CL13-BM1-161-03-K018-91-CC-CL

L-HANDLE LOCK WITH CAM TYPE G022, CL13 CYLINDER CORE MODEL, CHROME FINISH, GROUP 1 MASTER KEY SYSTEM, KEYS WITH CAP, CC KEYWAY

CL13-B-161-03-K034-91-CC-CL

L-HANDLE LOCK WITH CAM TYPE G022, CL13 CYLINDER CORE MODEL, CHROME FINISH, NON-MASTER KEY SYSTEM, FOLDING KEYS, CC KEYWAY



# METAL FURNITURE LOCKS



The Lock from Lock Experts

4-IN-1  
SYSTEM

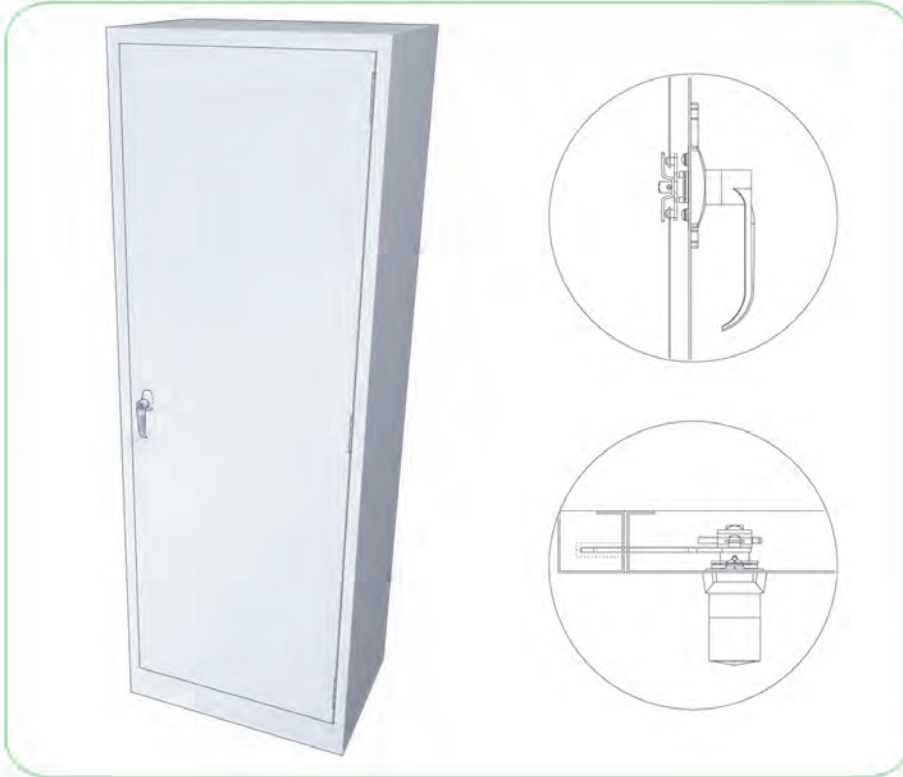
2000  
KEY CHANGES

MASTER  
KEY SYSTEM

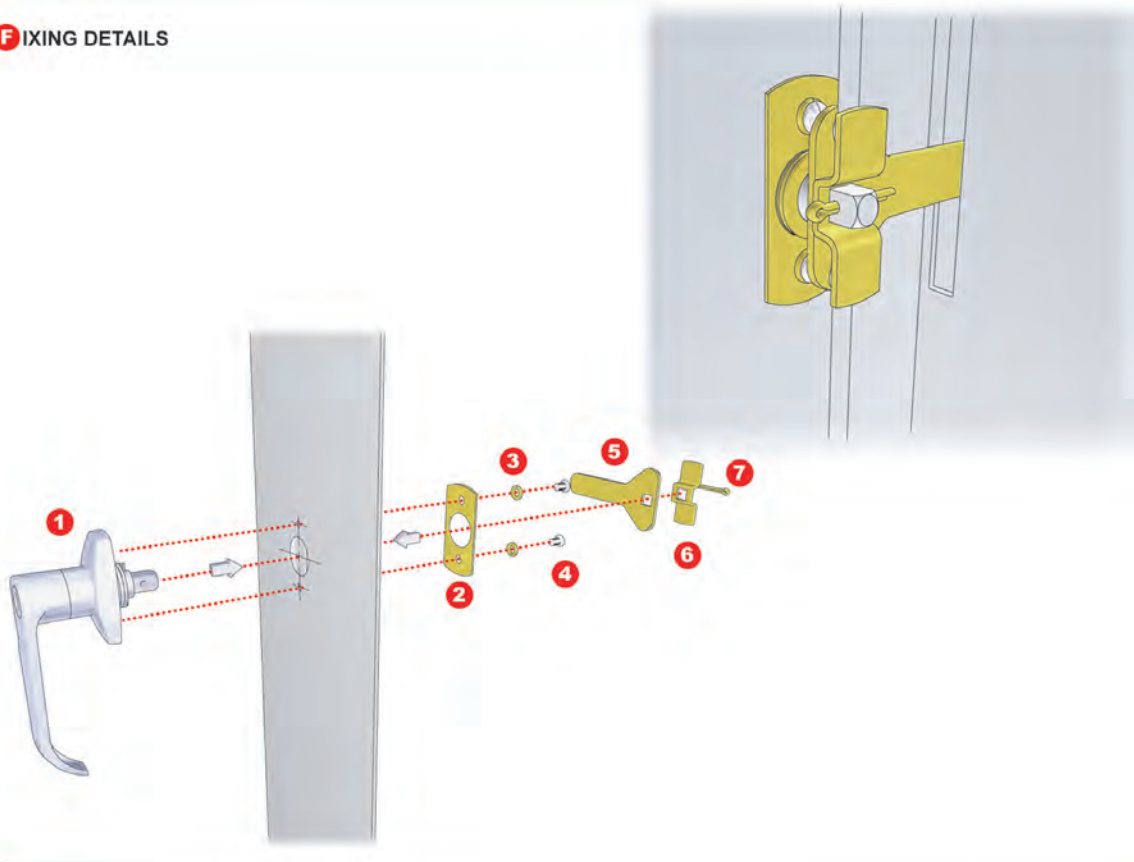
KEY  
IS OPTIONAL



## SWING DOOR CABINET



### FIXING DETAILS





The Lock from Lock Experts

# METAL FURNITURE LOCKS



**B-517X-16-01-G280-J93-R**

**B-517X-16-01-G280-J9Z-N\***



## SPECIFICATIONS

- MAIL BOX LOCK
- 90° OR 180° ROTARY CAM MOVEMENT
- KEY REMOVABLE IN LOCKED & UNLOCKED POSITIONS
- NON-MASTER KEY SYSTEMS
- ZINC ALLOY DIE CAST

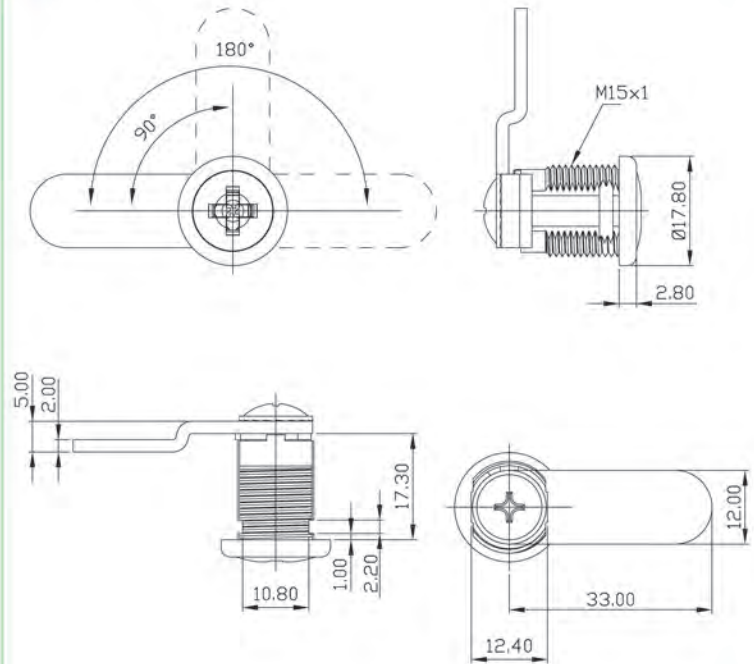
## SET INCLUDES

- 1 LOCK HOUSING
- 1 CYLINDER CORE
- 2 KEYS
- 1 CLIP
- 1 CAM TYPE G280



## MAIL BOX LOCK

### DIMENSIONS



## ORDERING DETAILS

\* WHEN UNLOCKED, KEY CAN FUNCTION AS HANDLE.

MASTER KEY SYSTEM	MASTER GROUP	MODEL	CYLINDER HOUSING LENGTH	FINISH	CAM / LEVER NO.	TURNING DIRECTION
B NON-MASTER BM MASTER	1-50	517X NUT INSTALLATION 517U U-CLIP INSTALLATION	16mm	01 NICKEL 03 CHROME	C_... *SEE CAM / LEVER SECTION FOR 2.5mm THICKNESS, USE CT_...	J CLOCKWISE K COUNTERCLOCKWISE
*SEE MASTER KEY SYSTEMS SECTION						
FROM LOCKED POSITION	TO UNLOCKED POSITION	REMOVAL OF KEY WHEN UNLOCKED	KEY SHAPE	KEYWAY	LOGO	
1-Z X Y Z 1 2 3 4 5 6 7 8 9	1-Z	R REMOVABLE N NOT ROMOVABLE	*SEE CORE SYSTEM SECTION	CG	CL	EXAMPLES: B-517X-16-03-G280-J9Z-N-K079-91-CG-CL MAIL BOX LOCK WITH CAM TYPE G280, 16mm CYLINDER HOUSING LENGTH, NUT INSTALLATION, 90 DEGREE CLOCKWISE SWING ANGLE, FROM 9 TO Z POSITION, CHROME FINISH, NON MASTER KEY & NON REMOVABLE CORE, KEYS WITH CAP, CG KEYWAY



The Lock from Lock Experts

# METAL FURNITURE LOCKS

4-IN-1 SYSTEM

2000 KEY CHANGES

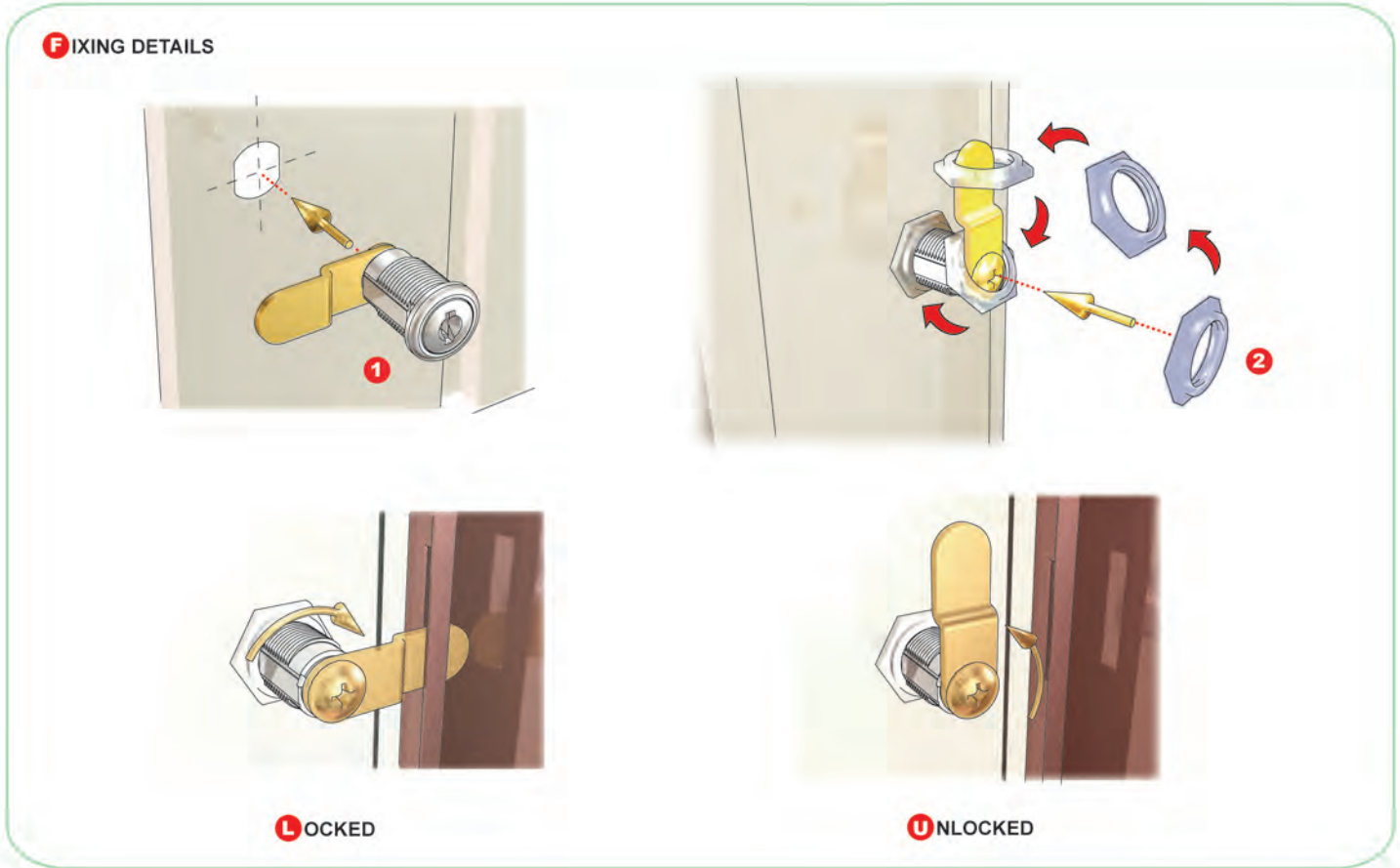
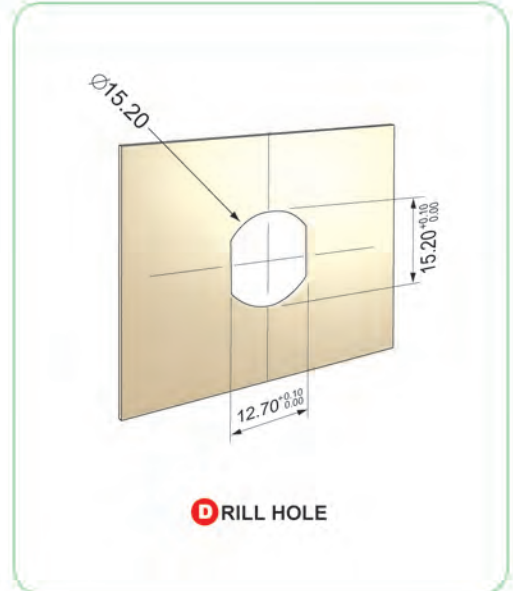
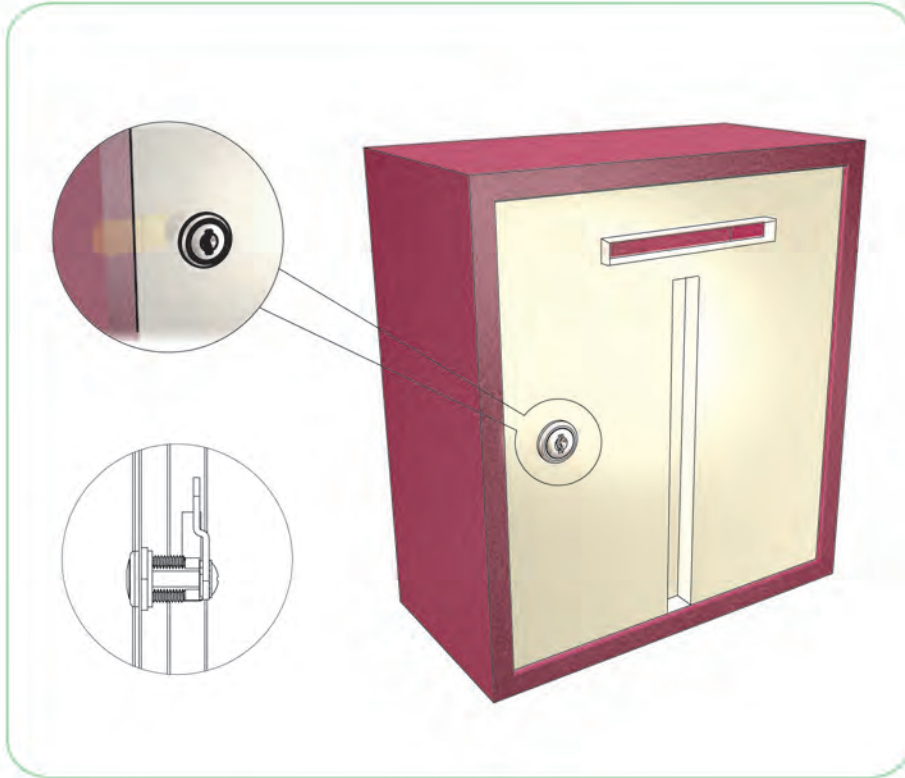
MASTER KEY SYSTEM

REMOVABLE CORE SYSTEM

KEY IS OPTIONAL



SYSTEM  
**B**



# Metal furniture lock

SYSTEM  
**B**

5-IN-1  
SERIES SYSTEM

MASTER  
KEY SYSTEM

KEY  
IS OPTIONAL

**PLASTIC SLIDING  
DOOR LOCK WITH HOOK**



**B-564-91-UP**      **B-564-91-DOWN**      **B-564-98-UP**      **B-564-98-DOWN**

FOR : 0.6-0.8mm METAL THICKNESS

### Specifications

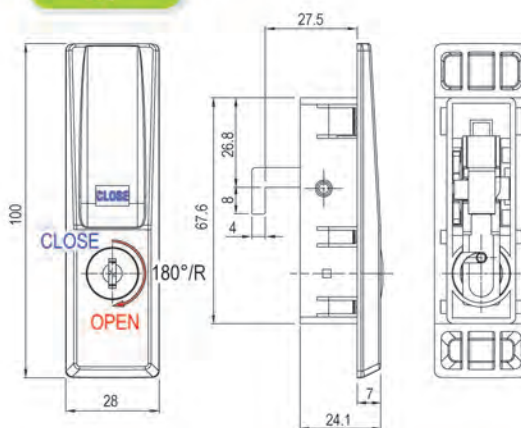
- QUICK-FIX LOCK
- PLASTIC SLIDING DOOR LOCK WITH HOOK
- 180° KEY ROTATION
- KEY REMOVABLE IN LOCKED & UNLOCKED POSITIONS
- AVAILABLE IN MASTER KEY & NON-MASTER KEY SYSTEMS
- NON-REMOVABLE CORE SYSTEM

### A set includes

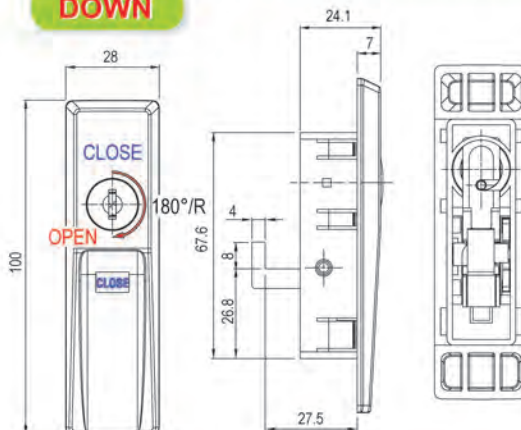
- 1 LOCK HOUSING
- 1 CYLINDER CORE
- 2 KEYS

### Dimensions

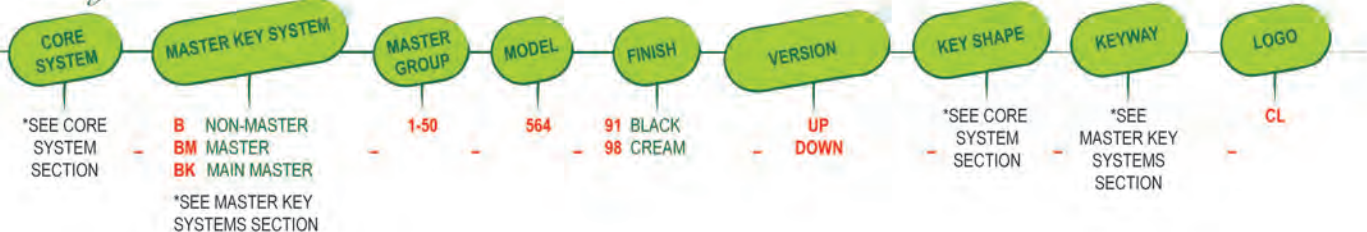
**UP**



**DOWN**



### Ordering Details



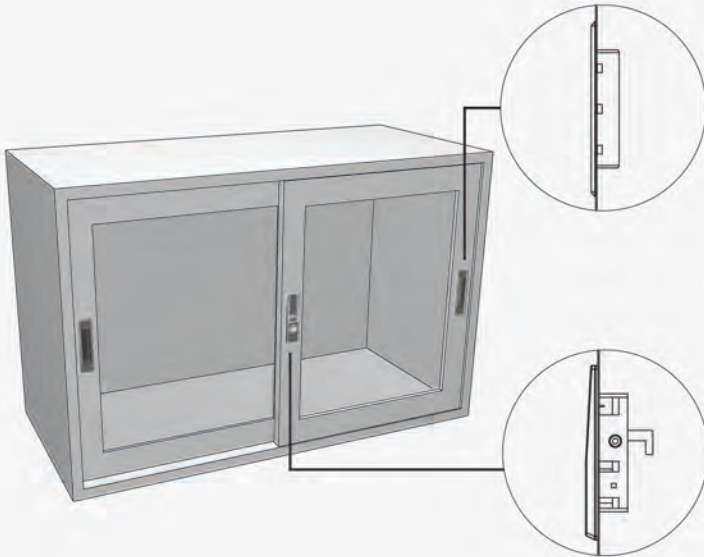
CL13-B-564-91-UP-K034-91-CC-CL

PLASTIC SLIDING DOOR LOCK WITH HOOK, CL13 CYLINDER CORE MEODEL, BLACK FINISH, NON-MASTER KEY SYSTEM, FOLDING KEYS, CC KEYWA

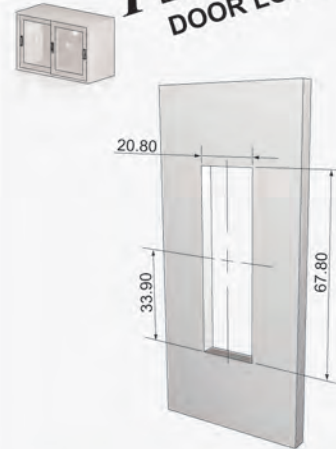
CL13-BM1-564-91-DOWN-K018-98-CC-CL

PLASTIC SLIDING DOOR LOCK WITH HOOK, CL13 CYLINDER CORE MEODEL, CREAM FINISH, GROUP 1 MASTER KEY SYSTEM, KEYS WITH CAP, CC KEYWAY

## Finished



## PLASTIC SLIDING DOOR LOCK WITH HOOK



FOR : 0.6-0.8mm METAL THICKNESS

## Fixing Details



OPEN



CLOSE

