



METAL FURNITURE LOCKS

200
KEY CHANGES



The Lock from Lock Experts



QUICK-FIX

C-201Q-20-01-DK033-JZ3-R

C-201Q-20-01-DK033-JZ6-R



FILING CABINET

(2 DRAWERS, 3 DRAWERS, 4 DRAWERS, AND MORES)

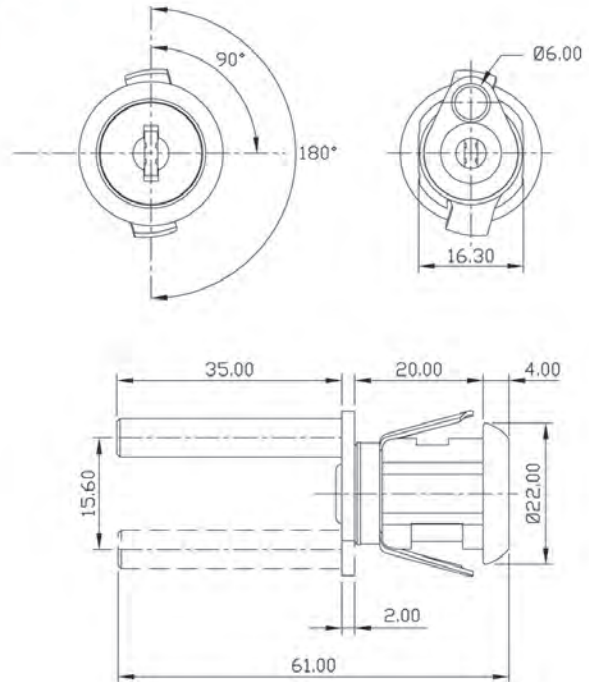
SPECIFICATIONS

- QUICK-FIX LOCK
- 90° OR 180° ROTARY PIN MOVEMENT
- KEY REMOVABLE IN LOCKED & UNLOCKED POSITIONS
- SINGLE SIDE BITTEN KEYS
- NON-MASTER KEY SYSTEM
- NON-REMOVABLE CORE SYSTEM
- ZINC ALLOY DIE CAST

SET INCLUDES

- 1 LOCK HOUSING
- 1 CYLINDER CORE
- 2 KEYS

DIMENSIONS



ORDERING DETAILS

MASTER KEY SYSTEM	MODEL	CYLINDER HOUSING LENGTH	FINISH	CAM / LEVER NO.	TURNING DIRECTION	FROM LOCKED POSITION	TO UNLOCKED POSITION																														
C NON-MASTER	201Q WING CLIP INSTALLATION	20mm	01 NICKEL 03 CHROME	DK033	J CLOCKWISE K COUNTERCLOCKWISE	1-Z	<table border="1"> <tr> <td></td> <td>Y</td> <td>Z</td> <td>1</td> <td>1-Z</td> </tr> <tr> <td>X</td> <td></td> <td></td> <td>2</td> <td></td> </tr> <tr> <td>9</td> <td></td> <td></td> <td>3</td> <td></td> </tr> <tr> <td>8</td> <td></td> <td></td> <td>4</td> <td></td> </tr> <tr> <td></td> <td></td> <td></td> <td>5</td> <td></td> </tr> <tr> <td></td> <td></td> <td></td> <td>6</td> <td></td> </tr> </table>		Y	Z	1	1-Z	X			2		9			3		8			4					5					6	
	Y	Z	1	1-Z																																	
X			2																																		
9			3																																		
8			4																																		
			5																																		
			6																																		

REMOVAL OF KEY WHEN UNLOCKED	KEY SHAPE	LOGO
R REMOVABLE N NOT REMOVABLE	K004-01	CL

EXAMPLES:

C-201Q-20-03-DK033-JZ6-R-K004-01-CL

QUICK-FIX LOCK FOR FILING CABINET, 20mm CYLINDER HOUSING LENGTH, CHROME FINISH, 180 DEGREE CLOCKWISE SWING ANGLE, FROM Z TO 6 POSITION, NON-MASTER KEY & NON-REMOVABLE CORE SYSTEM, UNCAPPED KEY

C-201Q-20-01-DK033-JZ6-R-K004-01-CL

QUICK-FIX LOCK FOR FILING CABINET, 20mm CYLINDER HOUSING LENGTH, NICKEL FINISH, 180 DEGREE CLOCKWISE SWING ANGLE, FROM Z TO 6 POSITION, NON-MASTER KEY & NON-REMOVABLE CORE SYSTEM, UNCAPPED KEY



The Lock from Lock Experts

METAL FURNITURE LOCKS

200
KEY CHANGES

NON-MASTER
KEY SYSTEM



FILING CABINET

(2 DRAWERS, 3 DRAWERS, 4 DRAWERS, AND MORE)



QUICK-FIX

C-202Q-20-01-DK033-JZ3-R

C-202Q-20-01-DK033-JZ6-R

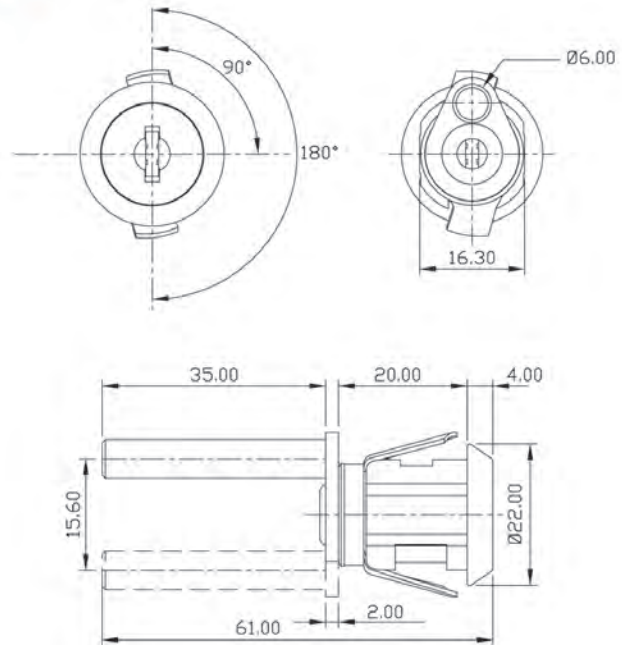
SPECIFICATIONS

- QUICK-FIX LOCK
- 90° OR 180° ROTARY PIN MOVEMENT
- KEY REMOVABLE IN LOCKED & UNLOCKED POSITIONS
- SINGLE SIDE BITTEN KEYS
- NON-MASTER KEY SYSTEM
- NON-REMOVABLE CORE SYSTEM
- ZINC ALLOY DIE CAST

SET INCLUDES

- 1 LOCK HOUSING
- 1 CYLINDER CORE
- 2 KEYS

DIMENSIONS



ORDERING DETAILS

MASTER KEY SYSTEM	MODEL	CYLINDER HOUSING LENGTH	FINISH	CAM / LEVER NO.	TURNING DIRECTION	FROM LOCKED POSITION	TO UNLOCKED POSITION
C NON-MASTER	202Q WING CLIP INSTALLATION	20mm	01 NICKEL 03 CHROME	DK033	J CLOCKWISE K COUNTERCLOCKWISE	1-Z	1-Z

REMOVAL OF KEY WHEN UNLOCKED	KEY SHAPE	LOGO
R REMOVABLE N NOT REMOVABLE	K004-01	CL

EXAMPLES:

C-202Q-20-01-DK033-JZ6-R-K004-01-CL
 QUICK-FIX LOCK FOR FILING CABINET, 20mm CYLINDER HOUSING LENGTH, NICKEL FINISH, 180 DEGREE CLOCKWISE SWING ANGLE, FROM Z TO 6 POSITION, NON-MASTER KEY & NON-REMOVABLE CORE SYSTEM, UNCAPPED KEY

C-202Q-20-03-DK033-JZ6-R-K004-01-CL
 QUICK-FIX LOCK FOR FILING CABINET, 20mm CYLINDER HOUSING LENGTH, CHROME FINISH, 180 DEGREE CLOCKWISE SWING ANGLE, FROM Z TO 6 POSITION, NON-MASTER KEY & NON-REMOVABLE CORE SYSTEM, UNCAPPED KEY





METAL FURNITURE LOCKS

200
KEY CHANGES



The Lock from Lock Experts



FILING CABINET

(2 DRAWERS, 3 DRAWERS, 4 DRAWERS, AND MORE)



QUICK-FIX

C-203Q-20-01-DK033-JZ3-R

C-203Q-20-01-DK033-JZ6-R

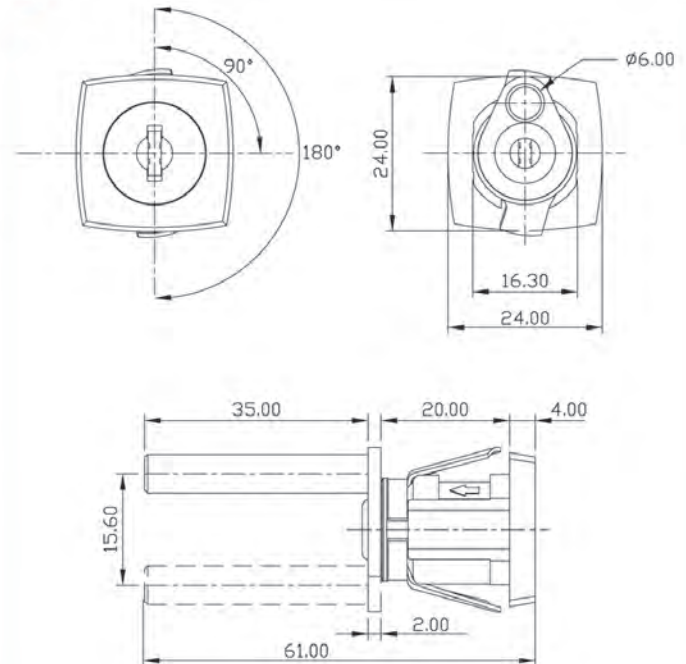
SPECIFICATIONS

- QUICK-FIX LOCK
- 90° OR 180° ROTARY PIN MOVEMENT
- KEY REMOVABLE IN LOCKED & UNLOCKED POSITIONS
- SINGLE SIDE BITTEN KEYS
- NON-MASTER KEY SYSTEM
- NON-REMOVABLE CORE SYSTEM
- ZINC ALLOY DIE CAST

SET INCLUDES

- 1 LOCK HOUSING
- 1 CYLINDER CORE
- 2 KEYS

DIMENSIONS



ORDERING DETAILS

MASTER KEY SYSTEM	MODEL	CYLINDER HOUSING LENGTH	FINISH	CAM / LEVER NO.	TURNING DIRECTION	FROM LOCKED POSITION	TO UNLOCKED POSITION																									
C NON-MASTER	203Q WING CLIP INSTALLATION	20mm	01 NICKEL 03 CHROME	DK033	J CLOCKWISE K COUNTERCLOCKWISE	1-Z	<table border="1"> <tr> <td></td> <td>Y</td> <td>Z</td> <td>1</td> <td>1-Z</td> </tr> <tr> <td>X</td> <td></td> <td></td> <td>2</td> <td></td> </tr> <tr> <td>9</td> <td></td> <td></td> <td>3</td> <td></td> </tr> <tr> <td>8</td> <td></td> <td></td> <td>4</td> <td></td> </tr> <tr> <td></td> <td>7</td> <td>6</td> <td>5</td> <td></td> </tr> </table>		Y	Z	1	1-Z	X			2		9			3		8			4			7	6	5	
	Y	Z	1	1-Z																												
X			2																													
9			3																													
8			4																													
	7	6	5																													

REMOVAL OF KEY WHEN UNLOCKED	KEY SHAPE	LOGO
R REMOVABLE N NOT REMOVABLE	K004-01	CL

EXAMPLES:

C-203Q-20-01-DK033-JZ6-R-K004-01-CL
 QUICK-FIX LOCK FOR FILING CABINET, 20mm CYLINDER HOUSING LENGTH, NICKEL FINISH, 180 DEGREE CLOCKWISE SWING ANGLE, FROM Z TO 6 POSITION, NON-MASTER KEY & NON-REMOVABLE CORE SYSTEM, UNCAPPED KEY

C-203Q-20-03-DK033-JZ6-R-K004-01-CL
 QUICK-FIX LOCK FOR FILING CABINET, 20mm CYLINDER HOUSING LENGTH, CHROME FINISH, 180 DEGREE CLOCKWISE SWING ANGLE, FROM Z TO 6 POSITION, NON-MASTER KEY & NON-REMOVABLE CORE SYSTEM, UNCAPPED KEY



The Lock from Lock Experts

METAL FURNITURE LOCKS

200
KEY CHANGES



QUICK-FIX

C-204Q-20-01-DK033-JZ3-R

C-204Q-20-01-DK033-JZ6-R

SPECIFICATIONS

- QUICK-FIX LOCK
- 90° OR 180° ROTARY PIN MOVEMENT
- KEY REMOVABLE IN LOCKED & UNLOCKED POSITIONS
- SINGLE SIDE BITTEN KEYS
- NON-MASTER KEY SYSTEM
- NON-REMOVABLE CORE SYSTEM
- ZINC ALLOY DIE CAST

SET INCLUDES

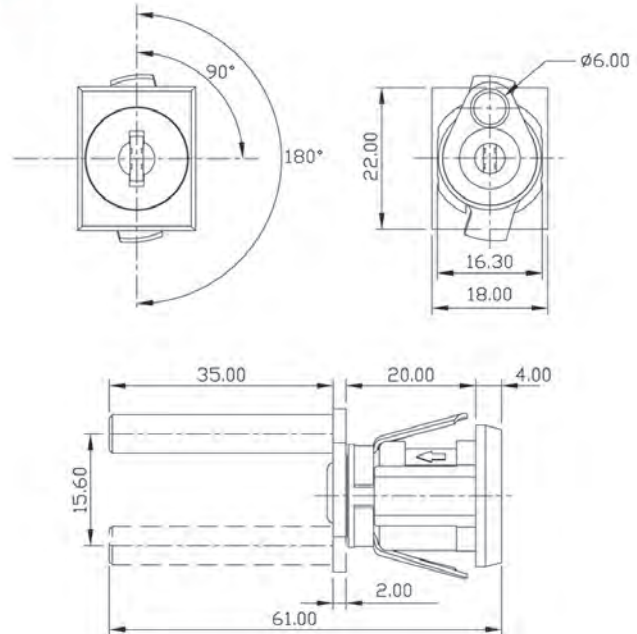
- 1 LOCK HOUSING
- 1 CYLINDER CORE
- 2 KEYS



FILING CABINET

(2 DRAWERS, 3 DRAWERS, 4 DRAWERS, AND MORES)

DIMENSIONS



ORDERING DETAILS

MASTER KEY SYSTEM	MODEL	CYLINDER HOUSING LENGTH	FINISH	CAM / LEVER NO.	TURNING DIRECTION	FROM LOCKED POSITION	TO UNLOCKED POSITION																				
C NON-MASTER	204Q WING CLIP INSTALLATION	20mm	01 NICKEL 03 CHROME	DK033	J CLOCKWISE K COUNTERCLOCKWISE	1-Z	<table border="1"> <tr> <td></td> <td>Y</td> <td>Z</td> <td></td> </tr> <tr> <td>X</td> <td></td> <td>1</td> <td>2</td> </tr> <tr> <td>9</td> <td></td> <td></td> <td>3</td> </tr> <tr> <td>8</td> <td></td> <td></td> <td>4</td> </tr> <tr> <td></td> <td>7</td> <td>6</td> <td>5</td> </tr> </table>		Y	Z		X		1	2	9			3	8			4		7	6	5
	Y	Z																									
X		1	2																								
9			3																								
8			4																								
	7	6	5																								

REMOVAL OF KEY WHEN UNLOCKED	KEY SHAPE	LOGO
R REMOVABLE N NOT REMOVABLE	K004-01	CL

EXAMPLES:

C-204Q-20-03-DK033-JZ6-R-K004-01-CL
QUICK-FIX LOCK FOR FILING CABINET, 20mm CYLINDER HOUSING LENGTH, CHROME FINISH, 180 DEGREE CLOCKWISE SWING ANGLE, FROM Z TO 6 POSITION, NON-MASTER KEY & NON-REMOVABLE CORE SYSTEM, UNCAPPED KEY

C-204Q-20-01-DK033-JZ6-R-K004-01-CL
QUICK-FIX LOCK FOR FILING CABINET, 20mm CYLINDER HOUSING LENGTH, NICKEL FINISH, 180 DEGREE CLOCKWISE SWING ANGLE, FROM Z TO 6 POSITION, NON-MASTER KEY & NON-REMOVABLE CORE SYSTEM, UNCAPPED KEY



METAL FURNITURE LOCKS

200
KEY CHANGES



The Lock from Lock Experts



FILING CABINET

(2 DRAWERS, 3 DRAWERS, 4 DRAWERS, AND MORES)



QUICK-FIX

C-205Q-20-01-DK033-JZ3-R

C-205Q-20-01-DK033-JZ6-R

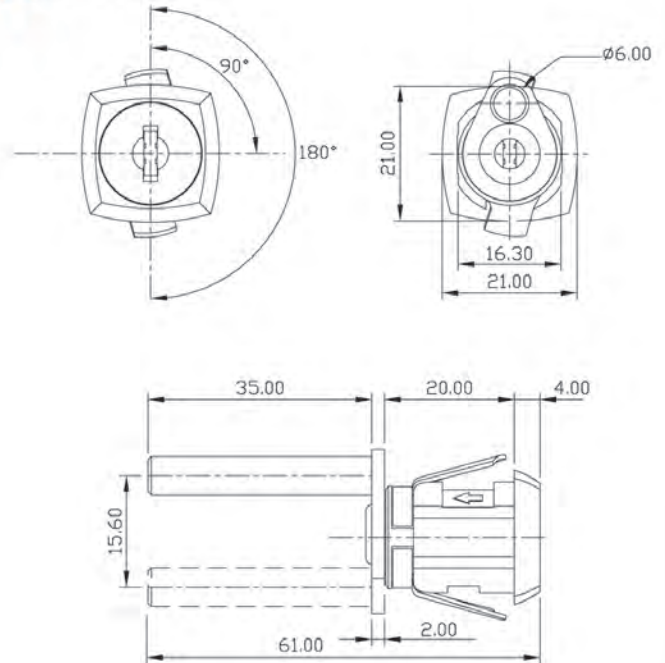
SPECIFICATIONS

- QUICK-FIX LOCK
- 90° OR 180° ROTARY PIN MOVEMENT
- KEY REMOVABLE IN LOCKED & UNLOCKED POSITIONS
- SINGLE SIDE BITTEN KEYS
- NON-MASTER KEY SYSTEM
- NON-REMOVABLE CORE SYSTEM
- ZINC ALLOY DIE CAST

SET INCLUDES

- 1 LOCK HOUSING
- 1 CYLINDER CORE
- 2 KEYS

DIMENSIONS



ORDERING DETAILS

MASTER KEY SYSTEM	MODEL	CYLINDER HOUSING LENGTH	FINISH	CAM / LEVER NO.	TURNING DIRECTION	FROM LOCKED POSITION	TO UNLOCKED POSITION	
C NON-MASTER	205Q WING CLIP INSTALLATION	20mm	01 NICKEL 03 CHROME	DK033	J CLOCKWISE K COUNTERCLOCKWISE	1-Z		1-Z

REMOVAL OF KEY WHEN UNLOCKED	KEY SHAPE	LOGO
R REMOVABLE N NOT REMOVABLE	K004-01	CL

EXAMPLES:

C-205Q-20-03-DK033-JZ6-R-K004-01-CL

QUICK-FIX LOCK FOR FILING CABINET, 20mm CYLINDER HOUSING LENGTH, CHROME FINISH, 180 DEGREE CLOCKWISE SWING ANGLE, FROM Z TO 6 POSITION, NON-MASTER KEY & NON-REMOVABLE CORE SYSTEM, UNCAPPED KEY

C-205Q-20-01-DK033-JZ6-R-K004-01-CL

QUICK-FIX LOCK FOR FILING CABINET, 20mm CYLINDER HOUSING LENGTH, NICKEL FINISH, 180 DEGREE CLOCKWISE SWING ANGLE, FROM Z TO 6 POSITION, NON-MASTER KEY & NON-REMOVABLE CORE SYSTEM, UNCAPPED KEY



The Lock from Lock Experts

METAL FURNITURE LOCKS

200
KEY CHANGES



FILING CABINET

(2 DRAWERS, 3 DRAWERS, 4 DRAWERS, AND MORES)

C-206Q-20-01-DK033-JZ3-R

C-206Q-20-01-DK033-JZ6-R



QUICK-FIX

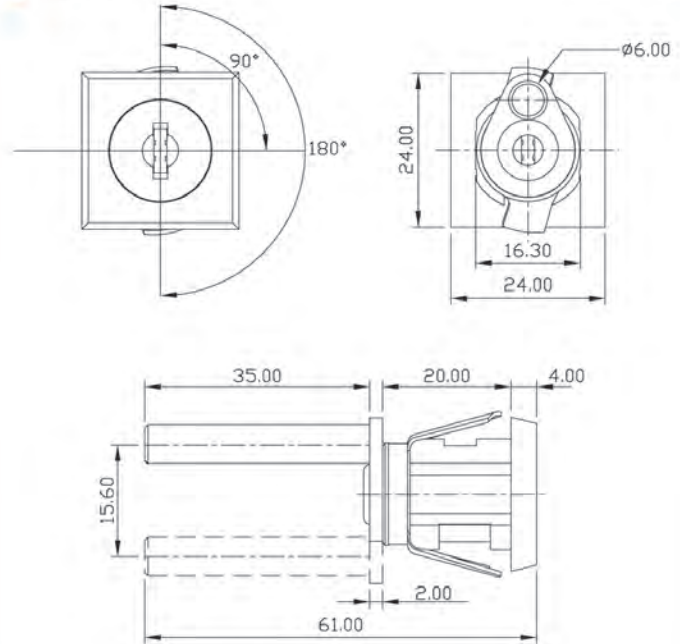
SPECIFICATIONS

- QUICK-FIX LOCK
- 90° OR 180° ROTARY PIN MOVEMENT
- KEY REMOVABLE IN LOCKED & UNLOCKED POSITIONS
- SINGLE SIDE BITTEN KEYS
- NON-MASTER KEY SYSTEM
- NON-REMOVABLE CORE SYSTEM
- ZINC ALLOY DIE CAST

SET INCLUDES

- 1 LOCK HOUSING
- 1 CYLINDER CORE
- 2 KEYS

DIMENSIONS



ORDERING DETAILS

MASTER KEY SYSTEM	MODEL	CYLINDER HOUSING LENGTH	FINISH	CAM / LEVER NO.	TURNING DIRECTION	FROM LOCKED POSITION	TO UNLOCKED POSITION
C NON-MASTER	206Q WING CLIP INSTALLATION	20mm	01 NICKEL 03 CHROME	DK033	J CLOCKWISE K COUNTERCLOCKWISE	1-Z	

REMOVAL OF KEY WHEN UNLOCKED	KEY SHAPE	LOGO
R REMOVABLE N NOT REMOVABLE	K004-01	CL

EXAMPLES:

C-206Q-20-01-DK033-JZ6-R-K004-01-CL
QUICK-FIX LOCK FOR FILING CABINET, 20mm CYLINDER HOUSING LENGTH, NICKEL FINISH, 180 DEGREE CLOCKWISE SWING ANGLE, FROM Z TO 6 POSITION, NON-MASTER KEY & NON-REMOVABLE CORE SYSTEM, UNCAPPED KEY

C-206Q-20-03-DK033-JZ6-R-K004-01-CL
QUICK-FIX LOCK FOR FILING CABINET, 20mm CYLINDER HOUSING LENGTH, CHROME FINISH, 180 DEGREE CLOCKWISE SWING ANGLE, FROM Z TO 6 POSITION, NON-MASTER KEY & NON-REMOVABLE CORE SYSTEM, UNCAPPED KEY



METAL FURNITURE LOCKS

200
KEY CHANGES



The Lock from Lock Experts



FILING CABINET

(2 DRAWERS, 3 DRAWERS, 4 DRAWERS, AND MORES)

C-531U-20-DK033



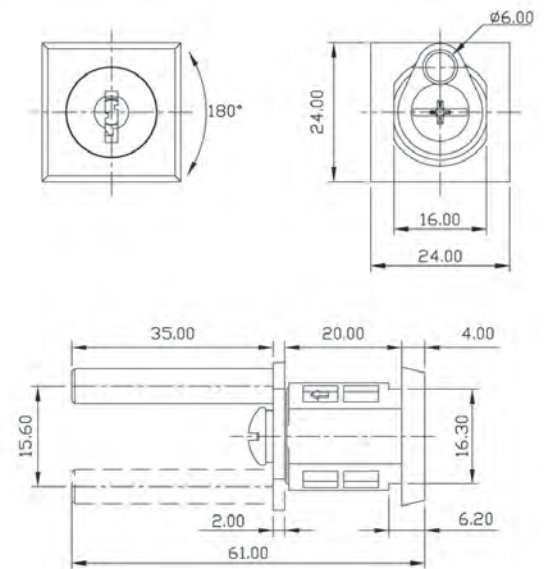
SPECIFICATIONS

- MULTI-DRAWER LOCK WITH LOCKING PIN, CHROME FINISH
- 180° ROTARY PIN MOVEMENT
- KEY REMOVABLE IN LOCKED & UNLOCKED POSITIONS
- SINGLE SIDE BITTEN KEYS
- NON-MASTER KEY SYSTEM
- NON-REMOVABLE CORE SYSTEM
- ZINC ALLOY DIE CAST

SET INCLUDES

- 1 LOCK HOUSING
- 1 CYLINDER CORE
- 2 KEYS
- 1 TYPE DK033 LEVER
- 1 CLIP

DIMENSIONS



ORDERING DETAILS

MASTER KEY SYSTEM	MODEL	CYLINDER HOUSING LENGTH	FINISH	CAM / LEVER NO.	TURNING DIRECTION	FROM LOCKED POSITION	TO UNLOCKED POSITION																																								
C NON-MASTER	531U U-CLIP INSTALLATION	20mm	01 NICKEL 03 CHROME	DK033	J CLOCKWISE K COUNTERCLOCKWISE	1-Z	<table border="1"> <tr> <td></td> <td>Y</td> <td>Z</td> <td>1</td> <td>1-Z</td> </tr> <tr> <td>X</td> <td></td> <td></td> <td>2</td> <td></td> </tr> <tr> <td>9</td> <td></td> <td></td> <td>3</td> <td></td> </tr> <tr> <td>8</td> <td></td> <td></td> <td>4</td> <td></td> </tr> <tr> <td></td> <td></td> <td></td> <td>5</td> <td></td> </tr> <tr> <td></td> <td></td> <td></td> <td>6</td> <td></td> </tr> <tr> <td></td> <td></td> <td></td> <td>7</td> <td></td> </tr> <tr> <td></td> <td></td> <td></td> <td>8</td> <td></td> </tr> </table>		Y	Z	1	1-Z	X			2		9			3		8			4					5					6					7					8	
	Y	Z	1	1-Z																																											
X			2																																												
9			3																																												
8			4																																												
			5																																												
			6																																												
			7																																												
			8																																												

REMOVAL OF KEY WHEN UNLOCKED	KEY SHAPE	LOGO
R REMOVABLE N NOT REMOVABLE	K004-01	CL

EXAMPLES:

C-531U-20-03-DK033-JZ6-R-K004-01-CL
MULTI-DRAWER LOCK WITH LOCKING PIN, CHROME FINISH, U-CLIP INSTALLATION, 180 DEGREE CLOCKWISE SWING ANGLE, FROM Z TO 6 POSITION, NON-MASTER KEY & NON-REMOVABLE CORE SYSTEM, UNCAPPED KEY



The Lock from Lock Experts

METAL FURNITURE LOCKS

200
KEY CHANGES



NUT
U-CLIP



FILING CABINET

(2 DRAWERS, 3 DRAWERS, 4 DRAWERS, AND MORES)

C-607(03)X-20-01-DK033-JZ3-R

C-607(03)X-20-01-DK033-JZ6-R

C-607(03)U-20-01-DK033-JZ3-R

C-607(03)U-20-01-DK033-JZ6-R

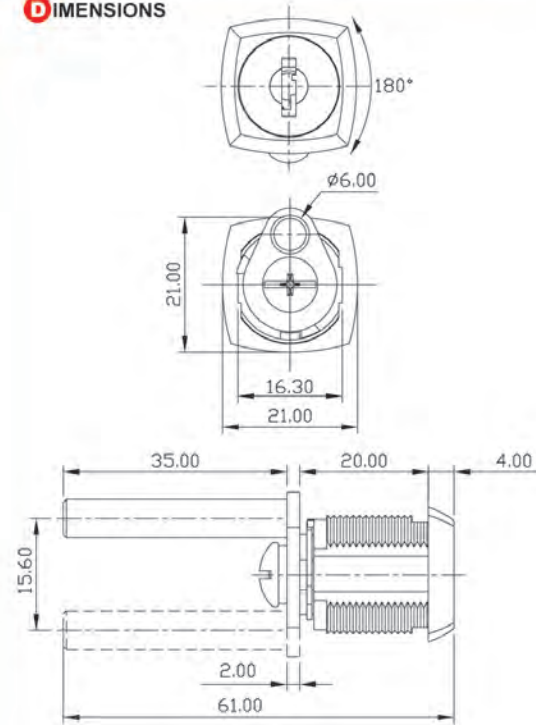
SPECIFICATIONS

- 20mm CAM LOCK
- 180° ROTARY PIN MOVEMENT
- KEY REMOVABLE IN LOCKED & UNLOCKED POSITIONS
- SINGLE SIDE BITTEN KEYS
- NON-MASTER KEY SYSTEM
- NON-REMOVABLE CORE SYSTEM
- ZINC ALLOY DIE CAST

SET INCLUDES

- 1 LOCK HOUSING
- 1 CYLINDER CORE
- 2 KEYS
- 1 HEXAGONAL NUT OR 1 CLIP

DIMENSIONS



ORDERING DETAILS

MASTER KEY SYSTEM	MODEL	CYLINDER HOUSING LENGTH	FINISH	CAM / LEVER NO.	TURNING DIRECTION	FROM LOCKED POSITION	TO UNLOCKED POSITION																									
C NON-MASTER	607(03)X NUT INSTALLATION 607(03)U U-CLIP INSTALLTION	20mm	01 NICKEL 03 CHROME	DK033	J CLOCKWISE K COUNTERCLOCKWISE	1-Z	<table border="1"> <tr> <td></td> <td>Y</td> <td>Z</td> <td>1</td> <td>1-Z</td> </tr> <tr> <td>X</td> <td></td> <td></td> <td>2</td> <td></td> </tr> <tr> <td>9</td> <td></td> <td></td> <td>3</td> <td></td> </tr> <tr> <td>8</td> <td></td> <td></td> <td>4</td> <td></td> </tr> <tr> <td></td> <td>7</td> <td>6</td> <td>5</td> <td></td> </tr> </table>		Y	Z	1	1-Z	X			2		9			3		8			4			7	6	5	
	Y	Z	1	1-Z																												
X			2																													
9			3																													
8			4																													
	7	6	5																													

REMOVAL OF KEY WHEN UNLOCKED	KEY SHAPE	LOGO
R REMOVABLE N NOT REMOVABLE	K004-01	CL

EXAMPLES:
C-607(03)X-20-03-DK033-JZ6-R-K004-01-CL
 CAM LOCK WITH LEVER TYPE DK033, NUT INSTALLATION, 20mm CYLINDER HOUSING LENGTH, CHROME FINISH, 180 DEGREE CLOCKWISE SWING ANGLE, FROM Z TO 6 POSITION, NON-MASTER KEY & NON-REMOVABLE CORE SYSTEM, UNCAPPED KEY
C-607(03)U-20-03-DK033-JZ6-R-K004-01-CL
 CAM LOCK WITH LEVER TYPE DK033, U-CLIP INSTALLATION, 20mm CYLINDER HOUSING LENGTH, CHROME FINISH, 180 DEGREE CLOCKWISE SWING ANGLE, FROM Z TO 6 POSITION, NON-MASTER KEY & NON-REMOVABLE CORE SYSTEM, UNCAPPED KEY



METAL FURNITURE LOCKS

200
KEY CHANGES



The Lock from Lock Experts



FILING CABINET

(2 DRAWERS, 3 DRAWERS, 4 DRAWERS, AND MORES)

C-155U-20-01-DK033-JZ3-R



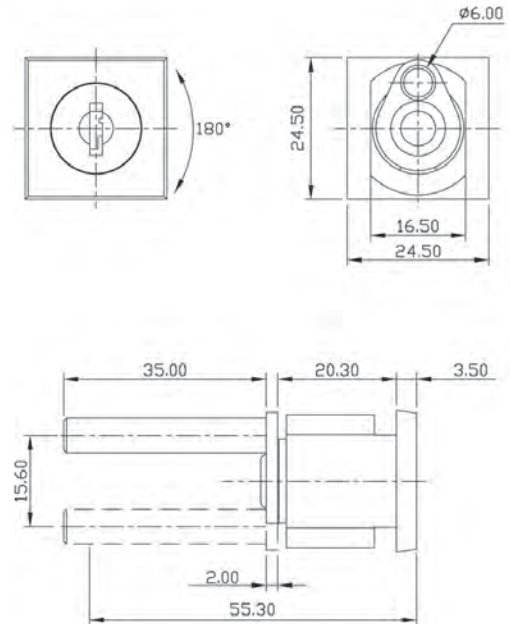
SPECIFICATIONS

- 20mm FILING CABINET LOCK
- 180° ROTARY PIN MOVEMENT
- KEY REMOVABLE IN LOCKED & UNLOCKED POSITIONS
- SINGLE SIDE BITTEN KEYS
- NON-MASTER KEY SYSTEM
- NON-REMOVABLE CORE SYSTEM
- ZINC ALLOY DIE CAST

SET INCLUDES

- 1 LOCK HOUSING
- 1 CYLINDER CORE
- 2 KEYS
- 1 CLIP

DIMENSIONS



ORDERING DETAILS

MASTER KEY SYSTEM	MODEL	CYLINDER HOUSING LENGTH	FINISH	CAM / LEVER NO.	TURNING DIRECTION	FROM LOCKED POSITION	TO UNLOCKED POSITION
C NON-MASTER	155U U-CLIP INSTALLATION	20mm	01 NICKEL 03 CHROME	DK033	J CLOCKWISE K COUNTERCLOCKWISE	1-Z	

REMOVAL OF KEY WHEN UNLOCKED	KEY SHAPE	LOGO
R REMOVABLE	K004-01	CL

EXAMPLES:

C-155U-20-03-DK033-JZ6-R-K004-01-CL
 FILING CABINET LOCK, U-CLIP INSTALLATION, 20mm CYLINDER HOUSING LENGTH,
 CHROME FINISH, 180 DEGREE CLOCKWISE SWING ANGLE, FROM Z TO 6 POSITION,
 NON-MASTER KEY & NON-REMOVABLE CORE SYSTEM, UNCAPPED KEY



The Lock from Lock Experts

METAL FURNITURE LOCKS

200
KEY CHANGES



FILING CABINET

(2 DRAWERS, 3 DRAWERS, 4 DRAWERS, AND MORES)

C-201Q-20-01-A045

QUICK-FIX



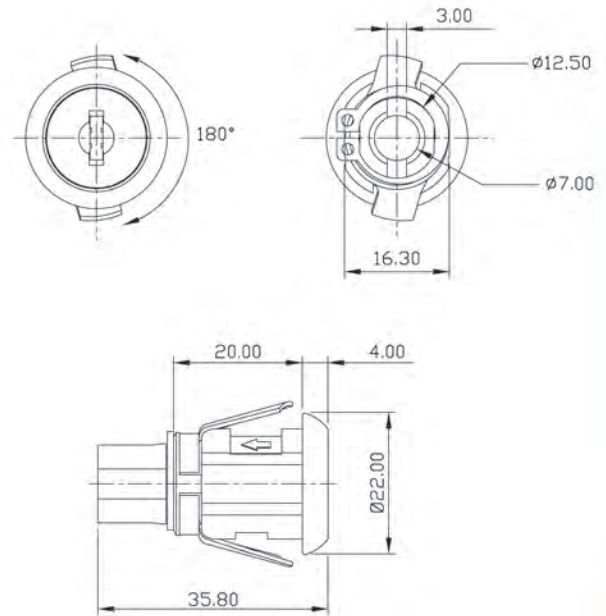
SPECIFICATIONS

- QUICK-FIX LOCK
- 180° ROTARY MOVEMENT
- SINGLE SIDE BITTEN KEYS
- NON-MASTER KEY SYSTEM
- NON-REMOVABLE CORE SYSTEM
- ZINC ALLOY DIE CAST

SET INCLUDES

- 1 LOCK HOUSING
- 1 CYLINDER CORE
- 2 KEYS

DIMENSIONS



ORDERING DETAILS

MASTER KEY SYSTEM	MODEL	CYLINDER HOUSING LENGTH	FINISH	CAM / LEVER NO.	KEY SHAPE	LOGO
C NON-MASTER	201Q WING CLIP INSTALLATION	20mm	01 NICKEL 03 CHROME	A045	K004-01	CL

EXAMPLES:

C-201Q-20-01-A045-K004-01-CL
QUICK-FIX LOCK, 20mm CYLINDER HOUSING LENGTH, NICKEL FINISH, UNCAPPED KEYS

C-201Q-20-03-A045-K004-01-CL
QUICK-FIX LOCK, 20mm CYLINDER HOUSING LENGTH, CHROME FINISH, UNCAPPED KEYS



METAL FURNITURE LOCKS

200
KEY CHANGES



The Lock from Lock Experts



FILING CABINET

(2 DRAWERS, 3 DRAWERS, 4 DRAWERS, AND MORES)

C-202Q-20-01-A045

QUICK-FIX



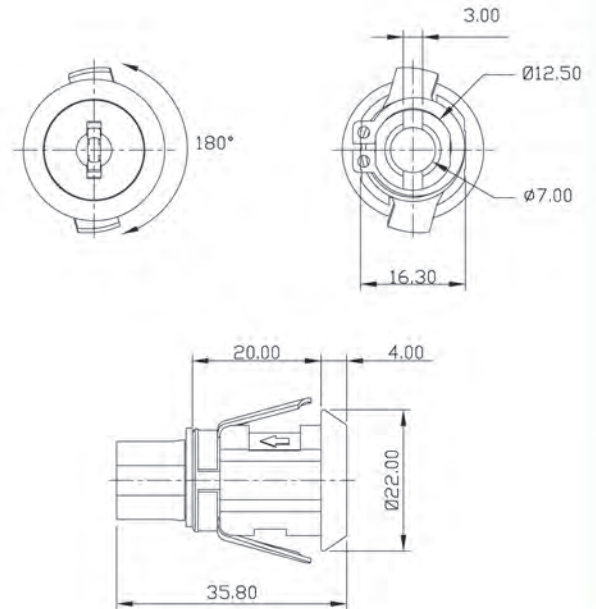
SPECIFICATIONS

- QUICK-FIX LOCK
- 180° ROTARY MOVEMENT
- SINGLE SIDE BITTEN KEYS
- NON-MASTER KEY SYSTEM
- NON-REMOVABLE CORE SYSTEM
- ZINC ALLOY DIE CAST

SET INCLUDES

- 1 LOCK HOUSING
- 1 CYLINDER CORE
- 2 KEYS

DIMENSIONS



ORDERING DETAILS

MASTER KEY SYSTEM	MODEL	CYLINDER HOUSING LENGTH	FINISH	CAM / LEVER NO.	KEY SHAPE	LOGO
C NON-MASTER	202Q WING CLIP INSTALLATION	20mm	01 NICKEL 03 CHROME	A045	K004-01	CL

EXAMPLES:

C-202Q-20-01-A045-K004-01-CL
QUICK-FIX LOCK, 20mm CYLINDER HOUSING LENGTH, NICKEL FINISH, UNCAPPED KEYS

C-202Q-20-03-A045-K004-01-CL
QUICK-FIX LOCK, 20mm CYLINDER HOUSING LENGTH, CHROME FINISH, UNCAPPED KEYS



The Lock from Lock Experts

METAL FURNITURE LOCKS

200
KEY CHANGES

SYSTEM



FILE CABINET

(2 DRAWERS, 3 DRAWERS, 4 DRAWERS, AND MORE)

C-203Q-20-01-A045

QUICK-FIX



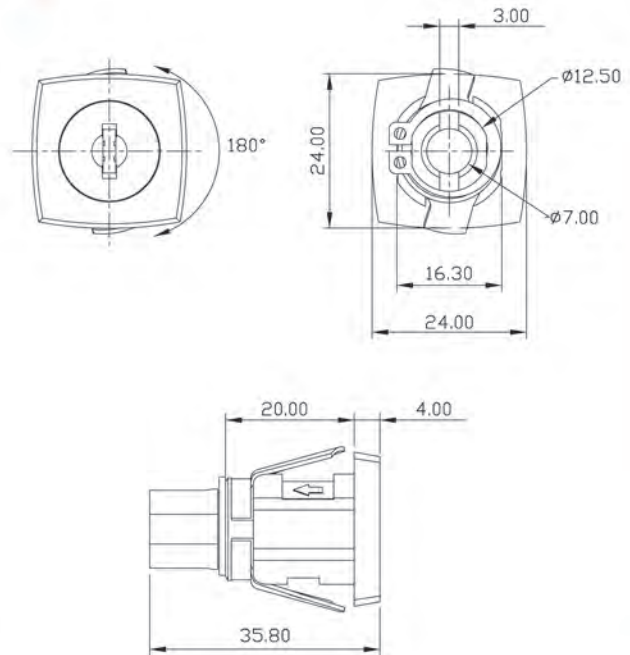
SPECIFICATIONS

- QUICK-FIX LOCK
- 180° ROTARY MOVEMENT
- SINGLE SIDE BITTEN KEYS
- NON-MASTER KEY SYSTEM
- NON-REMOVABLE CORE SYSTEM
- ZINC ALLOY DIE CAST

SET INCLUDES

- 1 LOCK HOUSING
- 1 CYLINDER CORE
- 2 KEYS

DIMENSIONS



ORDERING DETAILS

MASTER KEY SYSTEM	MODEL	CYLINDER HOUSING LENGTH	FINISH	CAM / LEVER NO.	KEY SHAPE	LOGO
C NON-MASTER	203Q WING CLIP INSTALLATION	20mm	01 NICKEL 03 CHROME	A045	K004-01	CL

EXAMPLES:

C-203Q-20-01-A045-K004-01-CL
QUICK-FIX LOCK, 20mm CYLINDER HOUSING LENGTH, NICKEL FINISH, UNCAPPED KEYS

C-203Q-20-03-A045-K004-01-CL
QUICK-FIX LOCK, 20mm CYLINDER HOUSING LENGTH, CHROME FINISH, UNCAPPED KEYS



METAL FURNITURE LOCKS



The Lock from Lock Experts

200
KEY CHANGES



FILING CABINET

(2 DRAWERS, 3 DRAWERS, 4 DRAWERS, AND MORES)

C-204Q-20-01-A045

QUICK-FIX



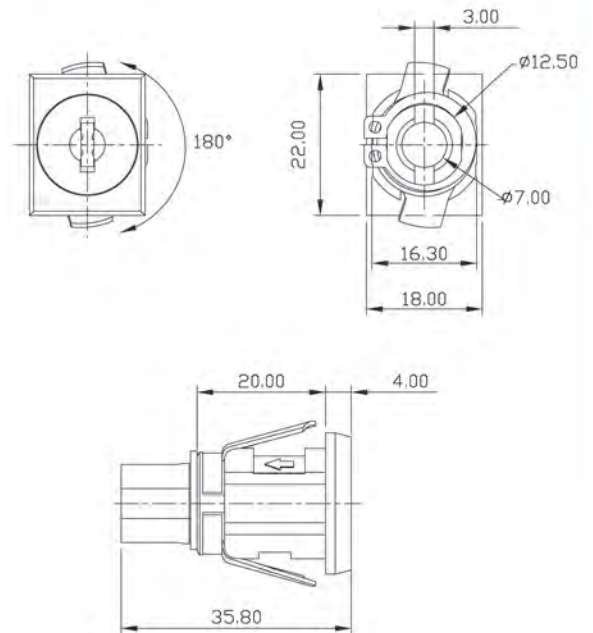
SPECIFICATIONS

- QUICK-FIX LOCK
- 180° ROTARY MOVEMENT
- SINGLE SIDE BITTEN KEYS
- NON-MASTER KEY SYSTEM
- NON-REMOVABLE CORE SYSTEM
- ZINC ALLOY DIE CAST

SET INCLUDES

- 1 LOCK HOUSING
- 1 CYLINDER CORE
- 2 KEYS

DIMENSIONS



ORDERING DETAILS

MASTER KEY SYSTEM	MODEL	CYLINDER HOUSING LENGTH	FINISH	CAM / LEVER NO.	KEY SHAPE	LOGO
C NON-MASTER	204Q WING CLIP INSTALLATION	20mm	01 NICKEL 03 CHROME	A045	K004-01	CL

EXAMPLES:

C-204Q-20-01-A045-K004-01-CL
QUICK-FIX LOCK, 20mm CYLINDER HOUSING LENGTH, NICKEL FINISH, UNCAPPED KEYS

C-204Q-20-03-A045-K004-01-CL
QUICK-FIX LOCK, 20mm CYLINDER HOUSING LENGTH, CHROME FINISH, UNCAPPED KEYS



The Lock from Lock Experts

METAL FURNITURE LOCKS

200
KEY CHANGES

SYSTEM



FILING CABINET

(2 DRAWERS, 3 DRAWERS, 4 DRAWERS, AND MORES)

C-205Q-20-01-A045

QUICK-FIX



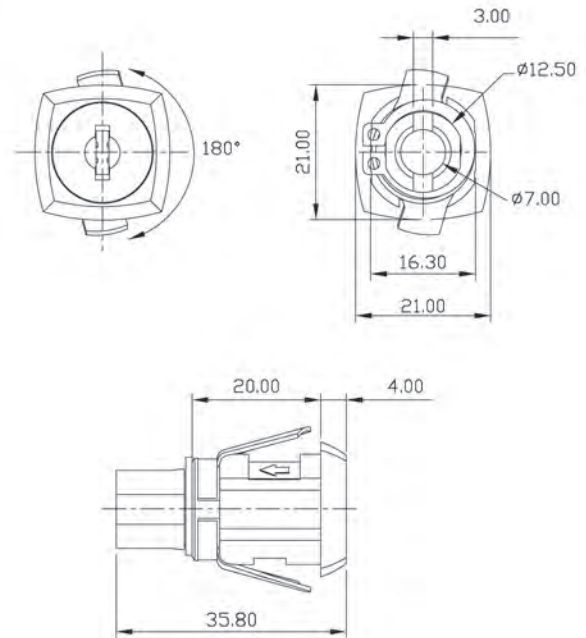
SPECIFICATIONS

- QUICK-FIX LOCK
- 180° ROTARY MOVEMENT
- SINGLE SIDE BITTEN KEYS
- NON-MASTER KEY SYSTEM
- NON-REMOVABLE CORE SYSTEM
- ZINC ALLOY DIE CAST

SET INCLUDES

- 1 LOCK HOUSING
- 1 CYLINDER CORE
- 2 KEYS

DIMENSIONS



ORDERING DETAILS

MASTER KEY SYSTEM	MODEL	CYLINDER HOUSING LENGTH	FINISH	CAM / LEVER NO.	KEY SHAPE	LOGO
C NON-MASTER	205Q WING CLIP INSTALLATION	20mm	01 NICKEL 03 CHROME	A045	K004-01	CL

EXAMPLES:

C-205Q-20-01-A045-K004-01-CL
QUICK-FIX LOCK, 20mm CYLINDER HOUSING LENGTH, NICKEL FINISH, UNCAPPED KEYS

C-205Q-20-03-A045-K004-01-CL
QUICK-FIX LOCK, 20mm CYLINDER HOUSING LENGTH, CHROME FINISH, UNCAPPED KEYS



METAL FURNITURE LOCKS



The Lock from Lock Experts

200
KEY CHANGES



FILING CABINET

(2 DRAWERS, 3 DRAWERS, 4 DRAWERS, AND MORES)

C-206Q-20-01-A045

QUICK-FIX



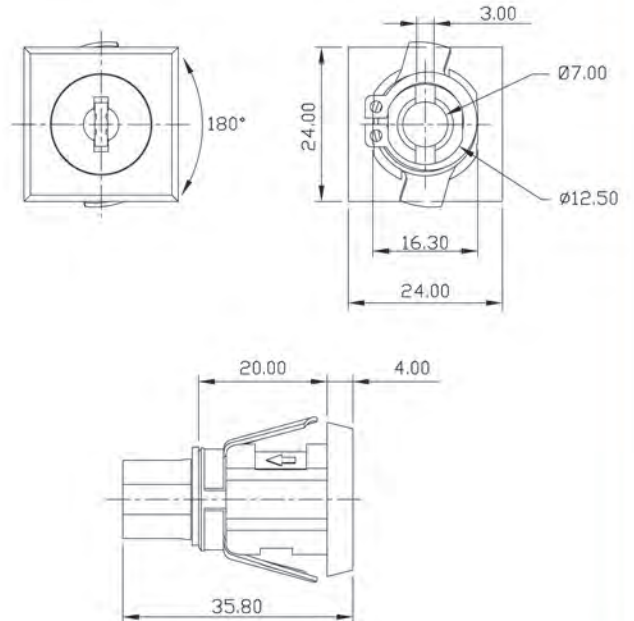
SPECIFICATIONS

- QUICK-FIX LOCK
- 180° ROTARY MOVEMENT
- SINGLE SIDE BITTEN KEYS
- NON-MASTER KEY SYSTEM
- NON-REMOVABLE CORE SYSTEM
- ZINC ALLOY DIE CAST

SET INCLUDES

- 1 LOCK HOUSING
- 1 CYLINDER CORE
- 2 KEYS

DIMENSIONS



ORDERING DETAILS

MASTER KEY SYSTEM	MODEL	CYLINDER HOUSING LENGTH	FINISH	CAM / LEVER NO.	KEY SHAPE	LOGO
C NON-MASTER	206Q WING CLIP INSTALLATION	20mm	01 NICKEL 03 CHROME	A045	K004-01	CL

EXAMPLES:

C-206Q-20-01-A045-K004-01-CL
QUICK-FIX LOCK, 20mm CYLINDER HOUSING LENGTH, NICKEL FINISH, UNCAPPED KEYS

C-206Q-20-03-A045-K004-01-CL
QUICK-FIX LOCK, 20mm CYLINDER HOUSING LENGTH, CHROME FINISH, UNCAPPED KEYS



The Lock from Lock Experts

METAL FURNITURE LOCKS

200
KEY CHANGES



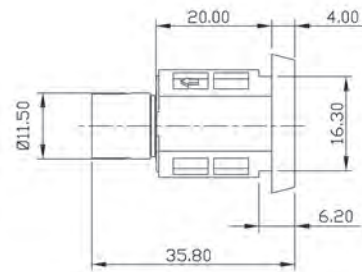
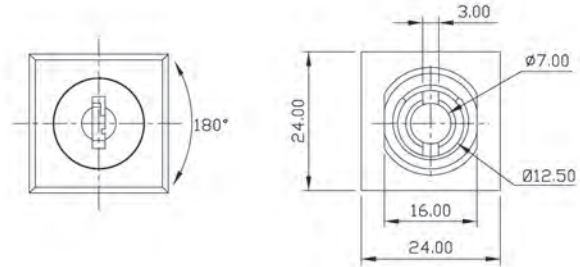
FILING CABINET

(2 DRAWERS, 3 DRAWERS, 4 DRAWERS, AND MORES)

C-521U-20-A045



DIMENSIONS



SPECIFICATIONS

- MULTI-DRAWER LOCK
- 180° ROTARY MOVEMENT
- KEY REMOVABLE IN LOCKED & UNLOCKED POSITIONS
- SINGLE SIDE BITTEN KEYS
- NON-MASTER KEY SYSTEM
- NON-REMOVABLE CORE SYSTEM
- ZINC ALLOY DIE CAST

SET INCLUDES

- 1 LOCK HOUSING
- 1 CYLINDER CORE
- 2 KEYS
- 1 CLIP

ORDERING DETAILS

MASTER KEY SYSTEM	MODEL	CYLINDER HOUSING LENGTH	FINISH	CAM / LEVER NO.	KEY SHAPE	LOGO
C NON-MASTER	521U U-CLIP INSTALLATION	20mm	01 NICKEL 03 CHROME	A045	K004-01	CL

EXAMPLES:

C-521U-20-03-A045-K004-01-CL
MULTI-DRAWER LOCK, CHROME FINISH, U-CLIP INSTALLATION, NON-MASTER KEY & NON-REMOVABLE CORE SYSTEM, UNCAPPED KEY



METAL FURNITURE LOCKS



The Lock from Lock Experts

200
KEY CHANGES



FILING CABINET

(2 DRAWERS, 3 DRAWERS, 4 DRAWERS, AND MORES)

C-154U-20-01-A045



U-CLIP

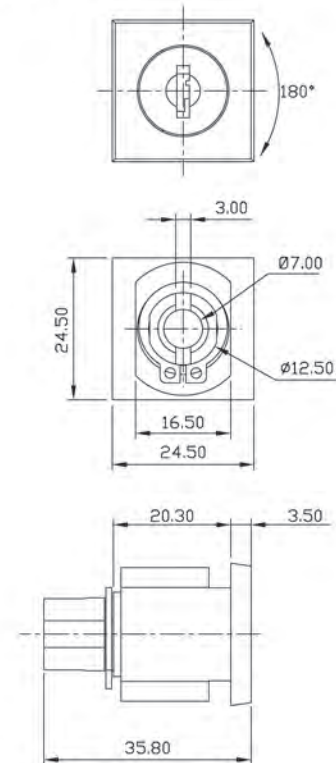
SPECIFICATIONS

- 20mm FILING CABINET LOCK
- 180° ROTARY MOVEMENT
- KEY REMOVABLE IN LOCKED & UNLOCKED POSITIONS
- SINGLE SIDE BITTEN KEYS
- NON-MASTER KEY SYSTEM
- NON-REMOVABLE CORE SYSTEM
- ZINC ALLOY DIE CAST

SET INCLUDES

- 1 LOCK HOUSING
- 1 CYLINDER CORE
- 2 KEYS
- 1 CLIP

DIMENSIONS



ORDERING DETAILS

MASTER KEY SYSTEM	MODEL	CYLINDER HOUSING LENGTH	FINISH	CAM / LEVER NO.	KEY SHAPE	LOGO
C NON-MASTER	154U U-CLIP INSTALLATION	20mm	01 NICKEL 03 CHROME	A045	K004-01	CL

EXAMPLES:

C-154U-20-03-A045-K004-01-CL
FILING CABINET LOCK, U-CLIP INSTALLATION, 20mm CYLINDER HOUSING LENGTH, CHROME FINISH,
NON-MASTER KEY & NON-REMOVABLE CORE SYSTEM, UNCAPPED KEY



The Lock from Lock Experts

METAL FURNITURE LOCKS

200
KEY CHANGES



QUICK-FIX



LOCKER

C-201Q-20-01-C_-J9Z-R

C-201Q-20-01-C_-J9Z-N*

C-201Q-20-01-C_-J93-R

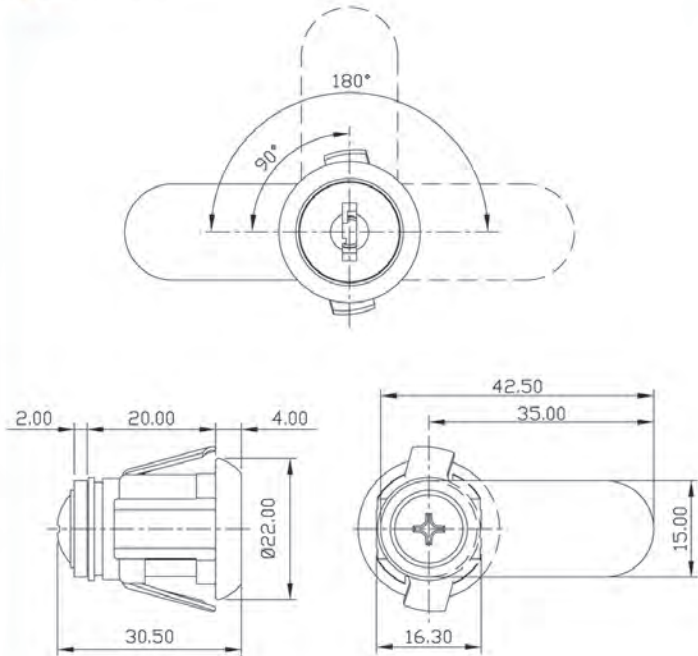
SPECIFICATIONS

- QUICK-FIX LOCK
- 90° OR 180° ROTARY CAM MOVEMENT
- KEY REMOVABLE IN LOCKED & UNLOCKED POSITIONS
- SINGLE SIDE BITTEN KEYS
- NON-MASTER KEY SYSTEM
- NON-REMOVABLE CORE SYSTEM
- ZINC ALLOY DIE CAST

SET INCLUDES

- 1 LOCK HOUSING
- 1 CYLINDER CORE
- 2 KEYS
- 1 CAM TYPE

DIMENSIONS



* WHEN UNLOCKED, KEY CAN FUNCTION AS HANDLE.

ORDERING DETAILS

MASTER KEY SYSTEM	MODEL	CYLINDER HOUSING LENGTH	FINISH	CAM / LEVER NO.	TURNING DIRECTION	FROM LOCKED POSITION	TO UNLOCKED POSITION
C NON-MASTER	201Q WING CLIP INSTALLATION	20mm	01 NICKEL 03 CHROME	C___ *SEE CAM / LEVER SECTION FOR 2.5mm THICKNESS, USE CT___	J CLOCKWISE K COUNTERCLOCKWISE	1-Z	1-Z X Y Z 9 1 2 8 3 7 4 6 5

REMOVAL OF KEY WHEN UNLOCKED	KEY SHAPE	LOGO
R REMOVABLE N NOT REMOVABLE	K004-01	CL

EXAMPLES:

C-201Q-20-03-C01-J93-R-K004-01-CL
 QUICK-FIX LOCK WITH CAM TYPE C01, 20mm CYLINDER HOUSING LENGTH, CHROME FINISH, 180 DEGREE CLOCKWISE SWING ANGLE, FROM 9 TO 3 POSITION, NON-MASTER KEY & NON-REMOVABLE CORE SYSTEM, UNCAPPED KEY

C-201Q-20-03-C01-J9Z-N-K004-01-CL
 QUICK-FIX LOCK WITH CAM TYPE C01, 20mm CYLINDER HOUSING LENGTH, CHROME FINISH, 90 DEGREE CLOCKWISE SWING ANGLE, FROM 9 TO Z POSITION, NON-MASTER KEY & NON-REMOVABLE CORE SYSTEM, UNCAPPED KEY



METAL FURNITURE LOCKS



The Lock from Lock Experts

200
KEY CHANGES



LOCKER



QUICK-FIX

C-202Q-20-01-C_-J9Z-R

C-202Q-20-01-C_-J9Z-N*

C-202Q-20-01-C_-J93-R

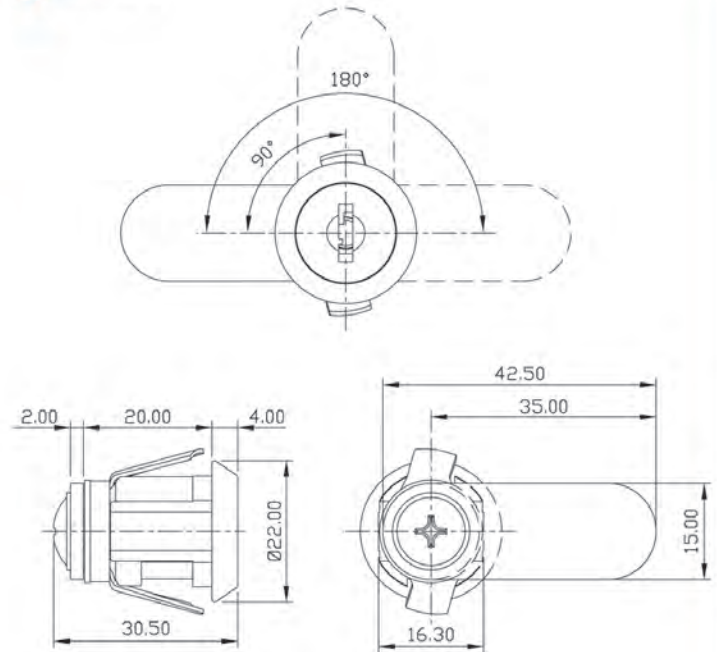
SPECIFICATIONS

- QUICK-FIX LOCK
- 90° OR 180° ROTARY CAM MOVEMENT
- KEY REMOVABLE IN LOCKED & UNLOCKED POSITIONS
- SINGLE SIDE BITTEN KEYS
- NON-MASTER KEY SYSTEM
- NON-REMOVABLE CORE SYSTEM
- ZINC ALLOY DIE CAST

SET INCLUDES

- 1 LOCK HOUSING
- 1 CYLINDER CORE
- 2 KEYS
- 1 CAM TYPE

DIMENSIONS



* WHEN UNLOCKED, KEY CAN FUNCTION AS HANDLE.

ORDERING DETAILS

MASTER KEY SYSTEM	MODEL	CYLINDER HOUSING LENGTH	FINISH	CAM / LEVER NO.	TURNING DIRECTION	FROM LOCKED POSITION	TO UNLOCKED POSITION																									
C NON-MASTER	202Q WING CLIP INSTALLATION	20mm	01 NICKEL 03 CHROME	C_... *SEE CAM / LEVER SECTION FOR 2.5mm THICKNESS, USE CT_...	J CLOCKWISE K COUNTERCLOCKWISE	1-Z	<table border="1"> <tr> <td></td> <td>Y</td> <td>Z</td> <td>1</td> <td>1-Z</td> </tr> <tr> <td>X</td> <td></td> <td></td> <td>2</td> <td></td> </tr> <tr> <td>9</td> <td></td> <td></td> <td>3</td> <td></td> </tr> <tr> <td>8</td> <td></td> <td></td> <td>4</td> <td></td> </tr> <tr> <td></td> <td>7</td> <td>6</td> <td>5</td> <td></td> </tr> </table>		Y	Z	1	1-Z	X			2		9			3		8			4			7	6	5	
	Y	Z	1	1-Z																												
X			2																													
9			3																													
8			4																													
	7	6	5																													

REMOVAL OF KEY WHEN UNLOCKED	KEY SHAPE	LOGO
R REMOVABLE N NOT REMOVABLE	K004-01	CL

EXAMPLES:

C-202Q-20-03-C01-J93-R-K004-01-CL
QUICK-FIX LOCK WITH CAM TYPE C01, 20mm CYLINDER HOUSING LENGTH, CHROME FINISH, 180 DEGREE CLOCKWISE SWING ANGLE, FROM 9 TO 3 POSITION, NON-MASTER KEY & NON-REMOVABLE CORE SYSTEM, UNCAPPED KEY

C-202Q-20-03-C01-J9Z-N-K004-01-CL
QUICK-FIX LOCK WITH CAM TYPE C01, 20mm CYLINDER HOUSING LENGTH, CHROME FINISH, 90 DEGREE CLOCKWISE SWING ANGLE, FROM 9 TO Z POSITION, NON-MASTER KEY & NON-REMOVABLE CORE SYSTEM, UNCAPPED KEY



The Lock from Lock Experts

METAL FURNITURE LOCKS

200
KEY CHANGES

SYSTEM



QUICK-FIX



LOCKER

C-203Q-20-01-C_-J9Z-R

C-203Q-20-01-C_-J9Z-N*

C-203Q-20-01-C_-J93-R

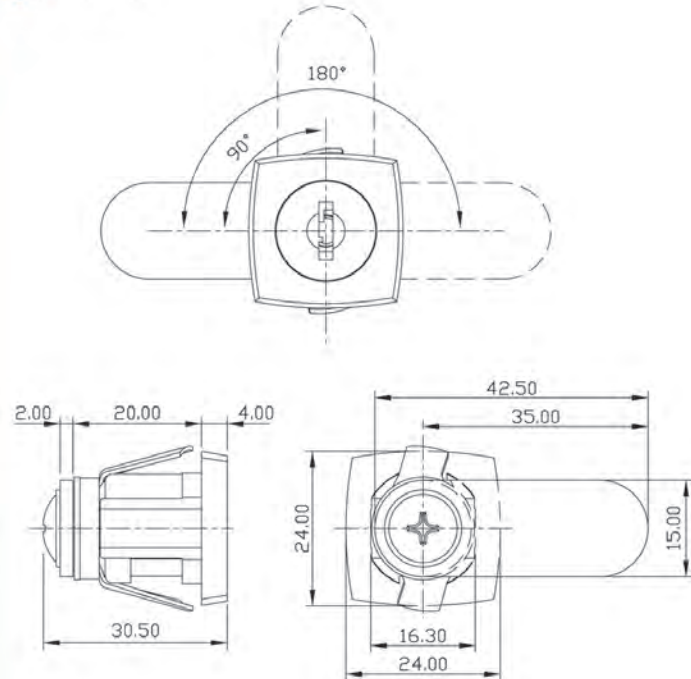
SPECIFICATIONS

- QUICK-FIX LOCK
- 90° OR 180° ROTARY CAM MOVEMENT
- KEY REMOVABLE IN LOCKED & UNLOCKED POSITIONS
- SINGLE SIDE BITTEN KEYS
- NON-MASTER KEY SYSTEM
- NON-REMOVABLE CORE SYSTEM
- ZINC ALLOY DIE CAST

SET INCLUDES

- 1 LOCK HOUSING
- 1 CYLINDER CORE
- 2 KEYS
- 1 CAM TYPE

DIMENSIONS



* WHEN UNLOCKED, KEY CAN FUNCTION AS HANDLE.

ORDERING DETAILS

MASTER KEY SYSTEM	MODEL	CYLINDER HOUSING LENGTH	FINISH	CAM / LEVER NO.	TURNING DIRECTION	FROM LOCKED POSITION	TO UNLOCKED POSITION
C NON-MASTER	203Q WING CLIP INSTALLATION	20mm	01 NICKEL 03 CHROME	C___ *SEE CAM / LEVER SECTION FOR 2.5mm THICKNESS, USE CT___	J CLOCKWISE K COUNTERCLOCKWISE	1-Z X Y Z 9 8 7 6 5 4 3 2 1	1-Z

REMOVAL OF KEY WHEN UNLOCKED	KEY SHAPE	LOGO
R REMOVABLE N NOT REMOVABLE	K004-01	CL

EXAMPLES:

C-203Q-20-03-C01-J93-R-K004-01-CL

QUICK-FIX LOCK WITH CAM TYPE C01, 20mm CYLINDER HOUSING LENGTH, CHROME FINISH, 180 DEGREE CLOCKWISE SWING ANGLE, FROM 9 TO 3 POSITION, NON-MASTER KEY & NON-REMOVABLE CORE SYSTEM, UNCAPPED KEY

C-203Q-20-03-C01-J9Z-N-K004-01-CL

QUICK-FIX LOCK WITH CAM TYPE C01, 20mm CYLINDER HOUSING LENGTH, CHROME FINISH, 90 DEGREE CLOCKWISE SWING ANGLE, FROM 9 TO Z POSITION, NON-MASTER KEY & NON-REMOVABLE CORE SYSTEM, UNCAPPED KEY



METAL FURNITURE LOCKS



The Lock from Lock Experts

200
KEY CHANGES



LOCKER



QUICK-FIX

C-204Q-20-01-C_-J9Z-R

C-204Q-20-01-C_-J9Z-N*

C-204Q-20-01-C_-J93-R

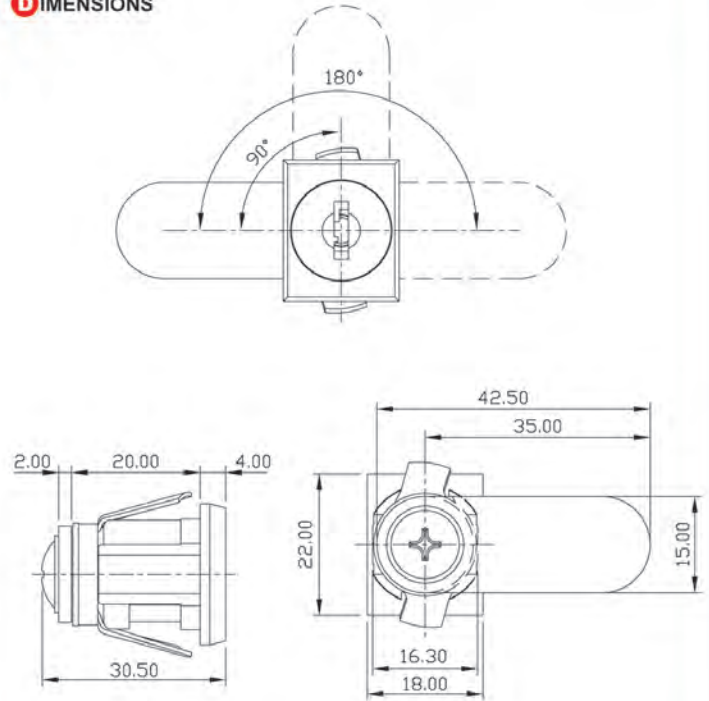
SPECIFICATIONS

- QUICK-FIX LOCK
- 90° OR 180° ROTARY CAM MOVEMENT
- KEY REMOVABLE IN LOCKED & UNLOCKED POSITIONS
- SINGLE SIDE BITTEN KEYS
- NON-MASTER KEY SYSTEM
- NON-REMOVABLE CORE SYSTEM
- ZINC ALLOY DIE CAST

SET INCLUDES

- 1 LOCK HOUSING
- 1 CYLINDER CORE
- 2 KEYS
- 1 CAM TYPE

DIMENSIONS



* WHEN UNLOCKED, KEY CAN FUNCTION AS HANDLE.

ORDERING DETAILS

MASTER KEY SYSTEM	MODEL	CYLINDER HOUSING LENGTH	FINISH	CAM / LEVER NO.	TURNING DIRECTION	FROM LOCKED POSITION	TO UNLOCKED POSITION																																			
C NON-MASTER	204Q WING CLIP INSTALLATION	20mm	01 NICKEL 03 CHROME	C____ *SEE CAM / LEVER SECTION FOR 2.5mm THICKNESS, USE CT____	J CLOCKWISE K COUNTERCLOCKWISE	1-Z	<table border="1"> <tr> <td></td> <td>Y</td> <td>Z</td> <td>1</td> <td>1-Z</td> </tr> <tr> <td>X</td> <td></td> <td></td> <td>2</td> <td></td> </tr> <tr> <td>9</td> <td></td> <td></td> <td>3</td> <td></td> </tr> <tr> <td></td> <td></td> <td></td> <td>4</td> <td></td> </tr> <tr> <td>8</td> <td></td> <td></td> <td>5</td> <td></td> </tr> <tr> <td></td> <td></td> <td></td> <td>6</td> <td></td> </tr> <tr> <td>7</td> <td></td> <td></td> <td></td> <td></td> </tr> </table>		Y	Z	1	1-Z	X			2		9			3					4		8			5					6		7				
	Y	Z	1	1-Z																																						
X			2																																							
9			3																																							
			4																																							
8			5																																							
			6																																							
7																																										

REMOVAL OF KEY WHEN UNLOCKED	KEY SHAPE	LOGO
R REMOVABLE N NOT REMOVABLE	K004-01	CL

EXAMPLES:

C-204Q-20-03-C01-J93-R-K004-01-CL
QUICK-FIX LOCK WITH CAM TYPE C01, 20mm CYLINDER HOUSING LENGTH, CHROME FINISH, 180 DEGREE CLOCKWISE SWING ANGLE, FROM 9 TO 3 POSITION, NON-MASTER KEY & NON-REMOVABLE CORE SYSTEM, UNCAPPED KEY

C-204Q-20-03-C01-J9Z-N-K004-01-CL
QUICK-FIX LOCK WITH CAM TYPE C01, 20mm CYLINDER HOUSING LENGTH, CHROME FINISH, 90 DEGREE CLOCKWISE SWING ANGLE, FROM 9 TO Z POSITION, NON-MASTER KEY & NON-REMOVABLE CORE SYSTEM, UNCAPPED KEY



The Lock from Lock Experts

METAL FURNITURE LOCKS

200
KEY CHANGES



QUICK-FIX



LOCKER

C-205Q-20-01-C_-J9Z-R

C-205Q-20-01-C_-J9Z-N*

C-205Q-20-01-C_-J93-R

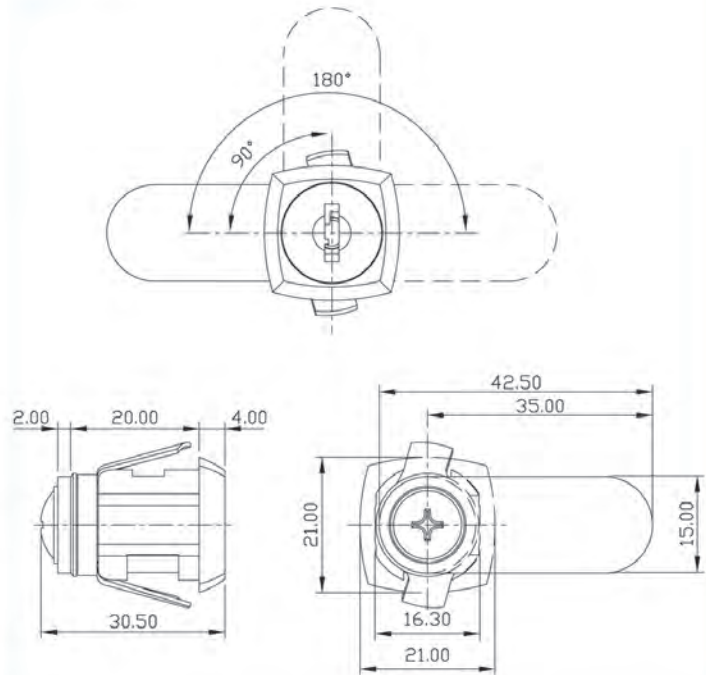
SPECIFICATIONS

- QUICK-FIX LOCK
- 90° OR 180° ROTARY CAM MOVEMENT
- KEY REMOVABLE IN LOCKED & UNLOCKED POSITIONS
- SINGLE SIDE BITTEN KEYS
- NON-MASTER KEY SYSTEM
- NON-REMOVABLE CORE SYSTEM
- ZINC ALLOY DIE CAST

SET INCLUDES

- 1 LOCK HOUSING
- 1 CYLINDER CORE
- 2 KEYS
- 1 CAM TYPE

DIMENSIONS



* WHEN UNLOCKED, KEY CAN FUNCTION AS HANDLE.

ORDERING DETAILS

MASTER KEY SYSTEM	MODEL	CYLINDER HOUSING LENGTH	FINISH	CAM / LEVER NO.	TURNING DIRECTION	FROM LOCKED POSITION	TO UNLOCKED POSITION
C NON-MASTER	205Q WING CLIP INSTALLATION	20mm	01 NICKEL 03 CHROME	C_ _ _ *SEE CAM / LEVER SECTION FOR 2.5mm THICKNESS, USE CT_ _ _	J CLOCKWISE K COUNTERCLOCKWISE	1-Z	

REMOVAL OF KEY WHEN UNLOCKED

KEY SHAPE

LOGO

R REMOVABLE
N NOT REMOVABLE

K004-01

CL

EXAMPLES:

C-205Q-20-03-C01-J93-R-K004-01-CL

QUICK-FIX LOCK WITH CAM TYPE C01, 20mm CYLINDER HOUSING LENGTH, CHROME FINISH, 180 DEGREE CLOCKWISE SWING ANGLE, FROM 9 TO 3 POSITION, NON-MASTER KEY & NON-REMOVABLE CORE SYSTEM, UNCAPPED KEY

C-205Q-20-03-C01-J9Z-N-K004-01-CL

QUICK-FIX LOCK WITH CAM TYPE C01, 20mm CYLINDER HOUSING LENGTH, CHROME FINISH, 90 DEGREE CLOCKWISE SWING ANGLE, FROM 9 TO Z POSITION, NON-MASTER KEY & NON-REMOVABLE CORE SYSTEM, UNCAPPED KEY



METAL FURNITURE LOCKS

200
KEY CHANGES



The Lock from Lock Experts



LOCKER



QUICK-FIX

C-206Q-20-01-C_-J9Z-R

C-206Q-20-01-C_-J9Z-N*

C-206Q-20-01-C_-J93-R

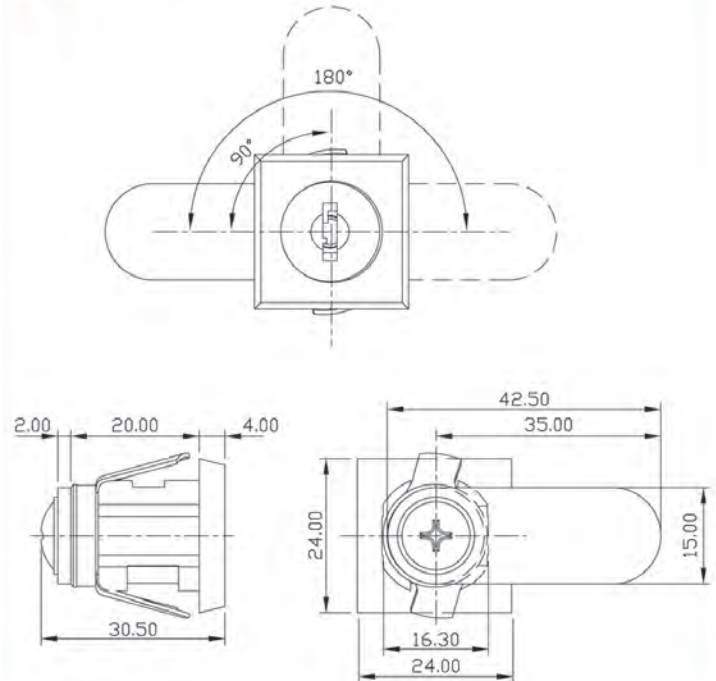
SPECIFICATIONS

- QUICK-FIX LOCK
- 90° OR 180° ROTARY CAM MOVEMENT
- KEY REMOVABLE IN LOCKED & UNLOCKED POSITIONS
- SINGLE SIDE BITTEN KEYS
- NON-MASTER KEY SYSTEM
- NON-REMOVABLE CORE SYSTEM
- ZINC ALLOY DIE CAST

SET INCLUDES

- 1 LOCK HOUSING
- 1 CYLINDER CORE
- 2 KEYS
- 1 CAM TYPE

DIMENSIONS



* WHEN UNLOCKED, KEY CAN FUNCTION AS HANDLE

ORDERING DETAILS

MASTER KEY SYSTEM	MODEL	CYLINDER HOUSING LENGTH	FINISH	CAM / LEVER NO.	TURNING DIRECTION	FROM LOCKED POSITION	TO UNLOCKED POSITION
C NON-MASTER	206Q WING CLIP INSTALLATION	20mm	01 NICKEL 03 CHROME	C_--- *SEE CAM / LEVER SECTION FOR 2.5mm THICKNESS, USE CT_---	J CLOCKWISE K COUNTERCLOCKWISE	1-Z	

REMOVAL OF KEY WHEN UNLOCKED	KEY SHAPE	LOGO
R REMOVABLE N NOT REMOVABLE	K004-01	CL

EXAMPLES:

C-206Q-20-03-C01-J93-R-K004-01-CL

QUICK-FIX LOCK WITH CAM TYPE C01, 20mm CYLINDER HOUSING LENGTH, CHROME FINISH, 180 DEGREE CLOCKWISE SWING ANGLE, FROM 9 TO 3 POSITION, NON-MASTER KEY & NON-REMOVABLE CORE SYSTEM, UNCAPPED KEY

C-206Q-20-03-C01-J9Z-N-K004-01-CL

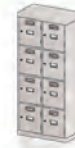
QUICK-FIX LOCK WITH CAM TYPE C01, 20mm CYLINDER HOUSING LENGTH, CHROME FINISH, 90 DEGREE CLOCKWISE SWING ANGLE, FROM 9 TO Z POSITION, NON-MASTER KEY & NON-REMOVABLE CORE SYSTEM, UNCAPPED KEY



The Lock from Lock Experts

METAL FURNITURE LOCKS

200
KEY CHANGES



LOCKER

C-541U-20-C01



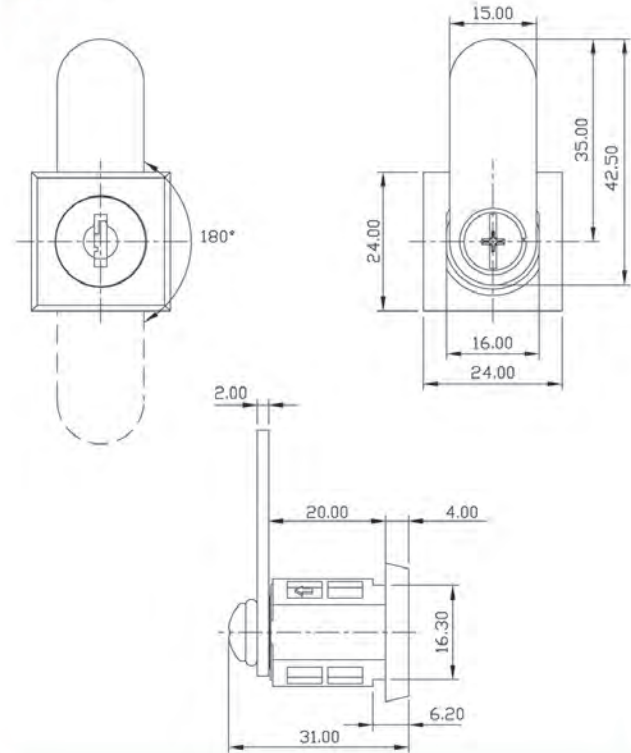
SPECIFICATIONS

- 20mm CAM LOCK
- 180° ROTARY CAM MOVEMENT
- KEY REMOVABLE IN LOCKED & UNLOCKED POSITIONS
- SINGLE SIDE BITTEN KEYS
- NON-MASTER KEY SYSTEM
- NON-REMOVABLE CORE SYSTEM
- ZINC ALLOY DIE CAST

SET INCLUDES

- 1 LOCK HOUSING
- 1 CYLINDER CORE
- 2 KEYS
- 1 SCREW
- 1 TYPE C01 CAM
- 1 CLIP

DIMENSIONS



ORDERING DETAILS

MASTER KEY SYSTEM	MODEL	CYLINDER HOUSING LENGTH	FINISH	CAM / LEVER NO.	TURNING DIRECTION	FROM LOCKED POSITION	TO UNLOCKED POSITION																														
C NON-MASTER	541U U-CLIP INSTALLATION	20mm	01 NICKEL 03 CHROME	C___ *SEE CAM / LEVER SECTION FOR 2.5mm THICKNESS, USE CT___	J CLOCKWISE K COUNTERCLOCKWISE	1-Z	<table border="1"> <tr> <td></td> <td>Y</td> <td>Z</td> <td>1</td> <td>1-Z</td> </tr> <tr> <td>9</td> <td>X</td> <td></td> <td>2</td> <td></td> </tr> <tr> <td>8</td> <td></td> <td></td> <td>3</td> <td></td> </tr> <tr> <td>7</td> <td></td> <td></td> <td>4</td> <td></td> </tr> <tr> <td></td> <td></td> <td></td> <td>5</td> <td></td> </tr> <tr> <td></td> <td></td> <td></td> <td>6</td> <td></td> </tr> </table>		Y	Z	1	1-Z	9	X		2		8			3		7			4					5					6	
	Y	Z	1	1-Z																																	
9	X		2																																		
8			3																																		
7			4																																		
			5																																		
			6																																		

REMOVAL OF KEY WHEN UNLOCKED	KEY SHAPE	LOGO
R REMOVABLE N NOT REMOVABLE	K004-01	CL

EXAMPLES:

C-541U-20-03-C01-KZ6-R-K004-01-CL

CAM LOCK WITH CAM TYPE C01, U-CLIP INSTALLATION, 20mm CYLINDER HOUSING LENGTH, CHROME FINISH, 180 DEGREE COUNTER CLOCKWISE SWING ANGLE, FROM Z TO 6 POSITION, NON-MASTER KEY & NON-REMOVABLE CORE SYSTEM, UNCAPPED KEY



METAL FURNITURE LOCKS

200
KEY CHANGES



The Lock from Lock Experts

C-607X-20-01-C_-J9Z-R

C-607X-20-01-C_-J9Z-N*

C-607X-20-01-C_-J93-R

C-607U-20-01-C_-J9Z-R

C-607U-20-01-C_-J9Z-N*

C-607U-20-01-C_-J93-R



NUT
U-CLIP



LOCKER

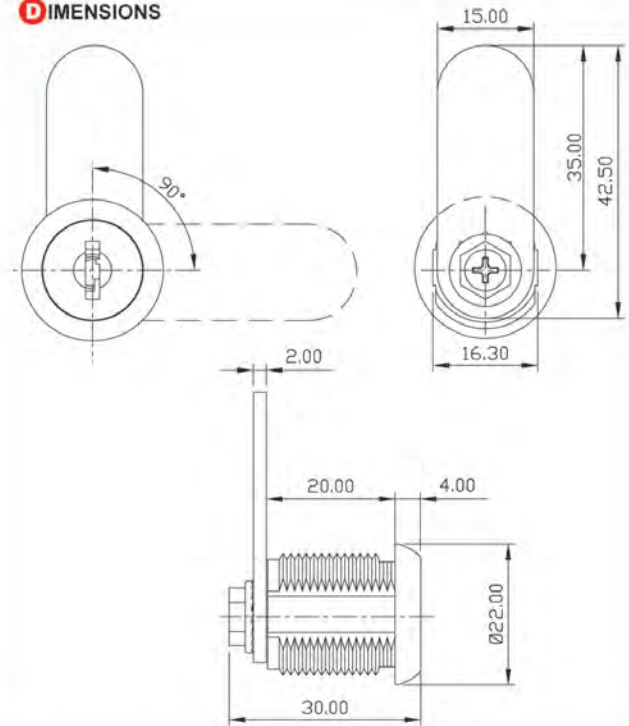
SPECIFICATIONS

- 20mm CAM LOCK
- 90° ROTARY CAM MOVEMENT
- KEY REMOVABLE IN LOCKED & UNLOCKED POSITIONS
- SINGLE SIDE BITTEN KEYS
- NON-MASTER KEY SYSTEM
- NON-REMOVABLE CORE SYSTEM
- ZINC ALLOY DIE CAST

SET INCLUDES

- 1 LOCK HOUSING
- 1 CYLINDER CORE
- 2 KEYS
- 1 TYPE C01 CAM
- 1 HEXAGONAL NUT OR 1 CLIP

DIMENSIONS



* WHEN UNLOCKED, KEY CAN FUNCTION AS HANDLE.

ORDERING DETAILS

MASTER KEY SYSTEM	MODEL	CYLINDER HOUSING LENGTH	FINISH	CAM / LEVER NO.	TURNING DIRECTION	FROM LOCKED POSITION	TO UNLOCKED POSITION																									
C NON-MASTER	607X NUT INSTALLATION 607U U-CLIP INSTALLTION	20mm	01 NICKEL 03 CHROME	C___ *SEE CAM / LEVER SECTION FOR 2.5mm THICKNESS, USE CT___	J CLOCKWISE K COUNTERCLOCKWISE	1-2	<table border="1"> <tr> <td></td> <td>Y</td> <td>Z</td> <td>1</td> <td>1-2</td> </tr> <tr> <td>X</td> <td></td> <td></td> <td>2</td> <td></td> </tr> <tr> <td>9</td> <td></td> <td></td> <td>3</td> <td></td> </tr> <tr> <td>8</td> <td></td> <td></td> <td>4</td> <td></td> </tr> <tr> <td></td> <td>7</td> <td>6</td> <td>5</td> <td></td> </tr> </table>		Y	Z	1	1-2	X			2		9			3		8			4			7	6	5	
	Y	Z	1	1-2																												
X			2																													
9			3																													
8			4																													
	7	6	5																													

REMOVAL OF KEY WHEN UNLOCKED	KEY SHAPE	LOGO
R REMOVABLE N NOT REMOVABLE	K004-01	CL

EXAMPLES:

C-607X-20-03-C01-JZ3-R-K004-01-CL

CAM LOCK WITH CAM TYPE C01, NUT INSTALLATION, 20mm CYLINDER HOUSING LENGTH, CHROME FINISH, 90 DEGREE CLOCKWISE SWING ANGLE, FROM Z TO 3 POSITION, NON-MASTER KEY & NON-REMOVABLE CORE SYSTEM, UNCAPPED KEY

C-607U-20-03-C01-JZ3-R-K004-01-CL

CAM LOCK WITH CAM TYPE C01, U-CLIP INSTALLATION, 20mm CYLINDER HOUSING LENGTH, CHROME FINISH, 90 DEGREE CLOCKWISE SWING ANGLE, FROM Z TO 3 POSITION, NON-MASTER KEY & NON-REMOVABLE CORE SYSTEM, UNCAPPED KEY



METAL FURNITURE LOCKS



The Lock from Lock Experts

C-607(03)X-20-01-C_-J9Z-R

C-607(03)X-20-01-C_-J9Z-N*

C-607(03)X-20-01-C_-J93-R

C-607(03)U-20-01-C_-J9Z-R

C-607(03)U-20-01-C_-J9Z-N*

C-607(03)U-20-01-C_-J93-R



NUT
U-CLIP



LOCKER

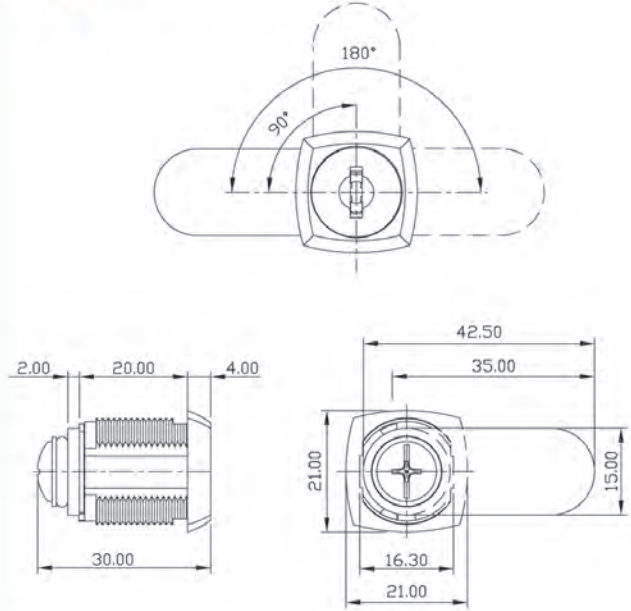
SPECIFICATIONS

- 20mm CAM LOCK
- 90° OR 180° ROTARY CAM MOVEMENT
- KEY REMOVABLE IN LOCKED & UNLOCKED POSITIONS
- SINGLE SIDE BITTEN KEYS
- NON-MASTER KEY SYSTEM
- NON-REMOVABLE CORE SYSTEM
- ZINC ALLOY DIE CAST

SET INCLUDES

- 1 LOCK HOUSING
- 1 CYLINDER CORE
- 2 KEYS
- 1 CAM TYPE
- 1 HEXAGONAL NUT OR 1 CLIP

DIMENSIONS



* WHEN UNLOCKED, KEY CAN FUNCTION AS HANDLE.

ORDERING DETAILS

MASTER KEY SYSTEM	MODEL	CYLINDER HOUSING LENGTH	FINISH	CAM / LEVER NO.	TURNING DIRECTION	FROM LOCKED POSITION	TO UNLOCKED POSITION
C NON-MASTER	607(03)X NUT INSTALLATION 607(03)U U-CLIP INSTALLTION	20mm	01 NICKEL 03 CHROME	C_... *SEE CAM / LEVER SECTION FOR 2.5mm THICKNESS, USE CT_...	J CLOCKWISE K COUNTERCLOCKWISE	1-Z	1-Z X Y Z 1 2 9 8 7 6 5 4 3

REMOVAL OF KEY WHEN UNLOCKED	KEY SHAPE	LOGO
R REMOVABLE N NOT REMOVABLE	K004-01	CL

EXAMPLES:

C-607(03)X-20-03-C01-J93-R-K004-01-CL

CAM LOCK WITH CAM TYPE C01, NUT INSTALLATION, 20mm CYLINDER HOUSING LENGTH, CHROME FINISH, 180 DEGREE CLOCKWISE SWING ANGLE, FROM 9 TO 3 POSITION, NON-MASTER KEY & NON-REMOVABLE CORE SYSTEM, UNCAPPED KEY

C-607(03)U-20-03-C01-J93-R-K004-01-CL

CAM LOCK WITH CAM TYPE C01, U-CLV/VP INSTALLATION, 20mm CYLINDER HOUSING LENGTH, CHROME FINISH, 180 DEGREE CLOCKWISE SWING ANGLE, FROM 9 TO 3 POSITION, NON-MASTER KEY & NON-REMOVABLE CORE SYSTEM, UNCAPPED KEY



METAL FURNITURE LOCKS

200
KEY CHANGES



The Lock from Lock Experts



LOCKER

C-156U-20-01-C_-JZ6-R



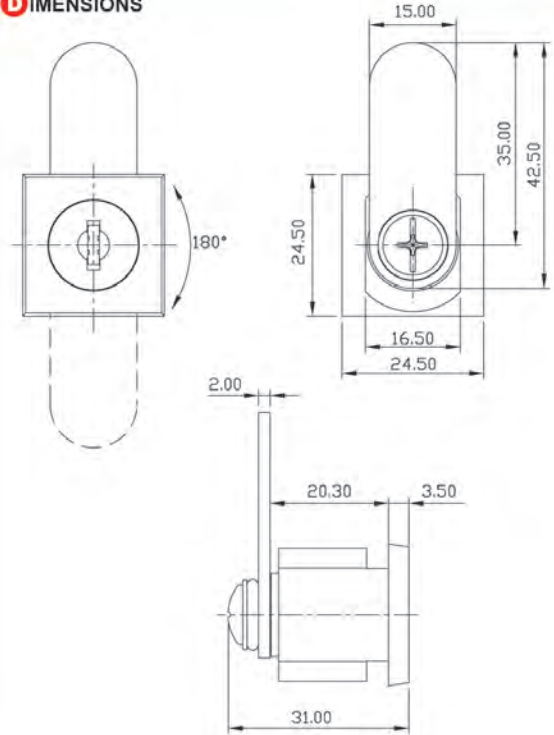
SPECIFICATIONS

- 20mm CAM LOCK
- 180° ROTARY CAM MOVEMENT
- KEY REMOVABLE IN LOCKED & UNLOCKED POSITIONS
- SINGLE SIDE BITTEN KEYS
- NON-MASTER KEY SYSTEM
- NON-REMOVABLE CORE SYSTEM
- ZINC ALLOY DIE CAST

SET INCLUDES

- 1 LOCK HOUSING
- 1 CYLINDER CORE
- 2 KEYS
- 1 CLIP
- 1 CAM TYPE

DIMENSIONS



ORDERING DETAILS

MASTER KEY SYSTEM	MODEL	CYLINDER HOUSING LENGTH	FINISH	CAM / LEVER NO.	TURNING DIRECTION	FROM LOCKED POSITION	TO UNLOCKED POSITION
C NON-MASTER	156U U-CLIP INSTALLATION	20mm	01 NICKEL 03 CHROME	C____ *SEE CAM / LEVER SECTION FOR 2.5mm THICKNESS, USE CT____	J CLOCKWISE K COUNTERCLOCKWISE	1-2	

REMOVAL OF KEY WHEN UNLOCKED	KEY SHAPE	LOGO
R REMOVABLE	K004-01	CL

EXAMPLES:

C-156U-20-03-C01-KZ6-R-K004-01-CL
CAM LOCK WITH CAM TYPE C01, U-CLIP INSTALLATION, 20mm CYLINDER HOUSING LENGTH, CHROME FINISH, 180 DEGREE COUNTER CLOCKWISE SWING ANGLE, FROM Z TO 6 POSITION, NON-MASTER KEY & NON-REMOVABLE CORE SYSTEM, UNCAPPED KEY



The Lock from Lock Experts

METAL FURNITURE LOCKS



C-157X-01-C_



LOCKER

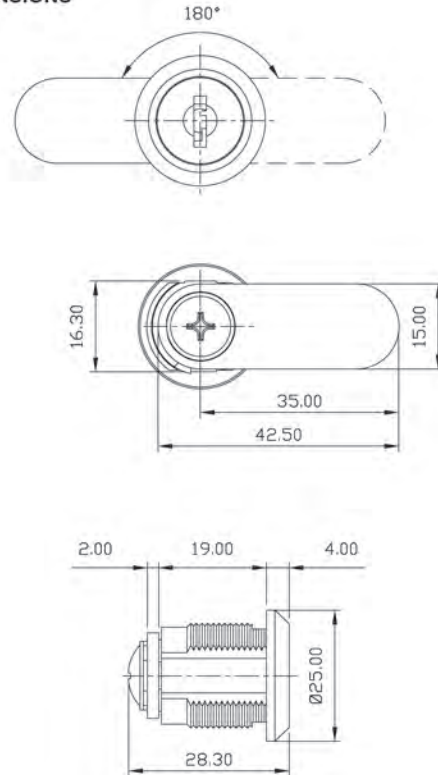
SPECIFICATIONS

- 20mm CAM LOCK
- 180° ROTARY CAM MOVEMENT
- KEY REMOVABLE IN LOCKED & UNLOCKED POSITIONS
- SINGLE SIDE BITTEN KEYS
- NON-MASTER KEY SYSTEM
- NON-REMOVABLE CORE SYSTEM
- ZINC ALLOY DIE CAST

SET INCLUDES

- 1 LOCK HOUSING
- 1 CYLINDER CORE
- 2 KEYS
- 1 WASHER
- 1 HEXAGONAL NUT

DIMENSIONS



ORDERING DETAILS

MASTER KEY SYSTEM	MODEL	FINISH	CAM / LEVER NO.	KEY SHAPE	LOGO
C NON-MASTER	157X NUT INSTALLATION	01 NICKEL 03 CHROME	C____ *SEE CAM / LEVER SECTION FOR 2.5mm THICKNESS, USE CT____	K004-01	CL

EXAMPLES:

C-157X-03-C01-K004-01-CL

CAM LOCK WITH CAM TYPE C01, 20mm CYLINDER HOUSING LENGTH, CHROME FINISH, NON-MASTER KEY & NON-REMOVABLE CORE SYSTEM, UNCAPPED KEY



METAL FURNITURE LOCKS

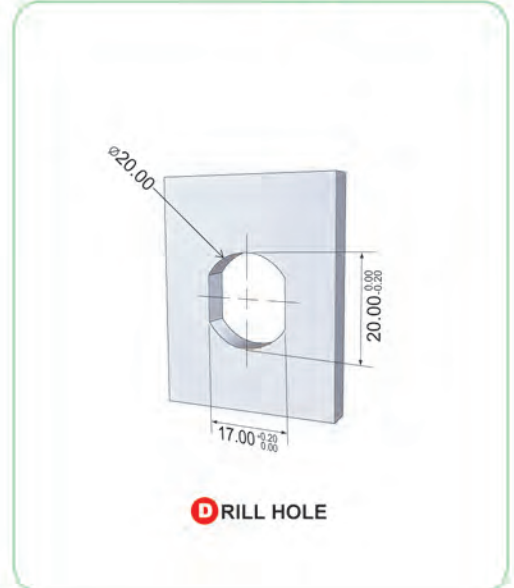
200
KEY CHANGES



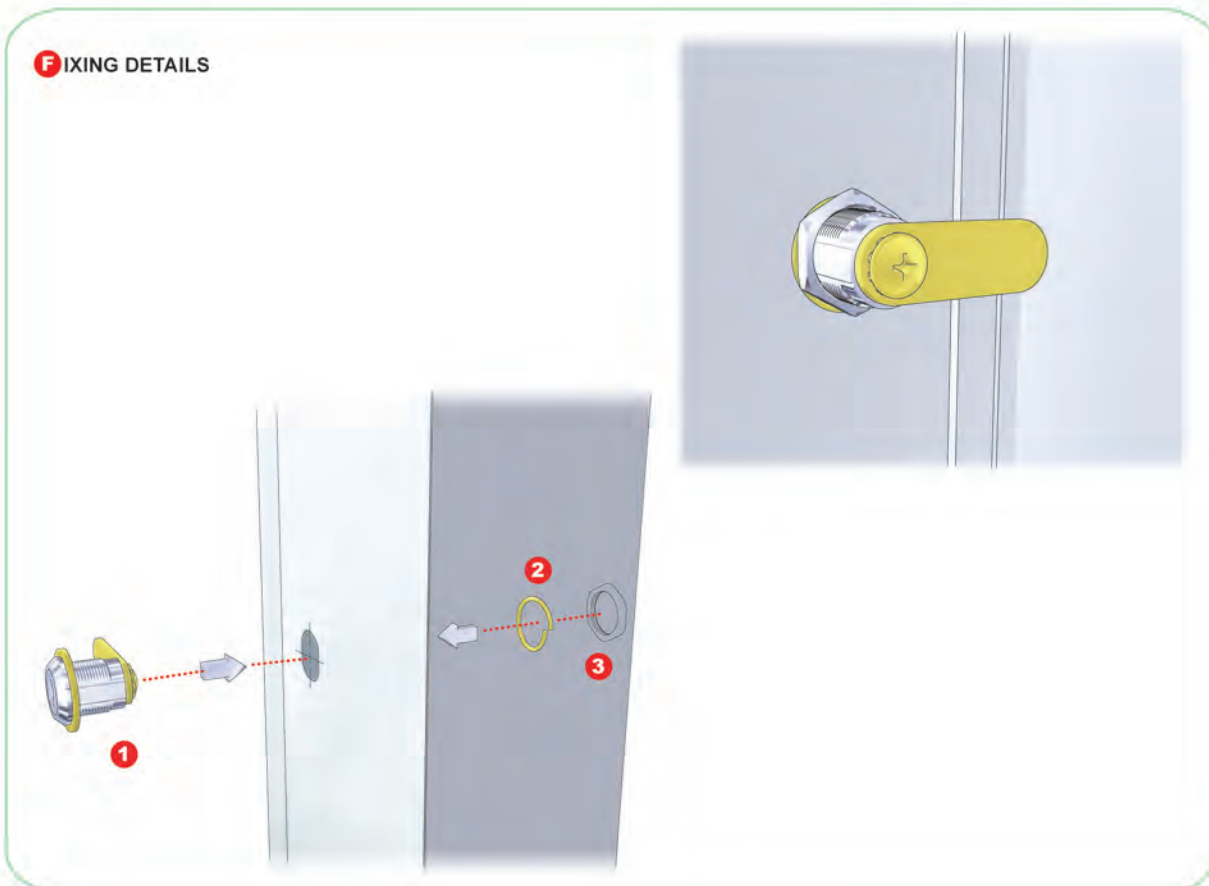
The Lock from Lock Experts



LOCKER



FIXING DETAILS





The Lock from Lock Experts

METAL FURNITURE LOCKS

200
KEY CHANGES



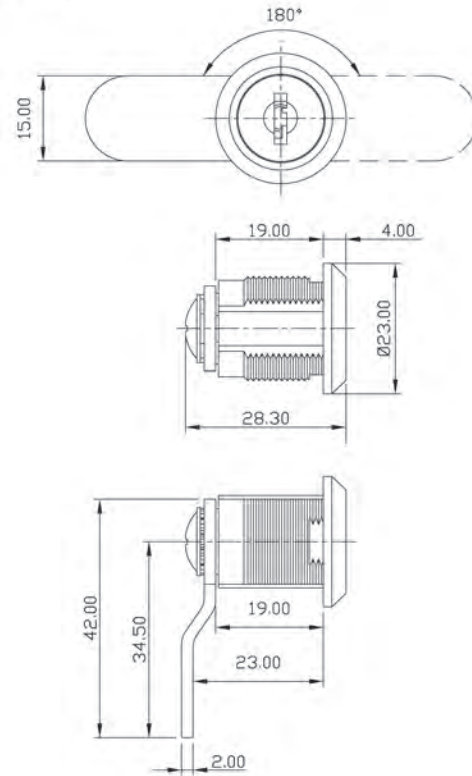
LOCKER

C-158X-01-C_



NUT

DIMENSIONS



SPECIFICATIONS

- 20mm CAM LOCK
- 180° ROTARY CAM MOVEMENT
- KEY REMOVABLE IN LOCKED & UNLOCKED POSITIONS
- SINGLE SIDE BITTEN KEYS
- NON-MASTER KEY SYSTEM
- NON-REMOVABLE CORE SYSTEM
- ZINC ALLOY DIE CAST

SET INCLUDES

- 1 LOCK HOUSING
- 1 CYLINDER CORE
- 2 KEYS
- 1 WASHER
- 1 HEXAGONAL NUT

ORDERING DETAILS

MASTER KEY SYSTEM	MODEL	FINISH	CAM / LEVER NO.	KEY SHAPE	LOGO
C NON-MASTER	158X NUT INSTALLATION	01 NICKEL 03 CHROME	C___ *SEE CAM / LEVER SECTION FOR 2.5mm THICKNESS, USE CT___	K004-01	CL

EXAMPLES:

C-158X-03-C08-K004-01-CL

CAM LOCK WITH CAM TYPE C08, 20mm CYLINDER HOUSING LENGTH, CHROME FINISH, NON-MASTER KEY & NON-REMOVABLE CORE SYSTEM, UNCAPPED KEY



METAL FURNITURE LOCKS



The Lock from Lock Experts

200
KEY CHANGES



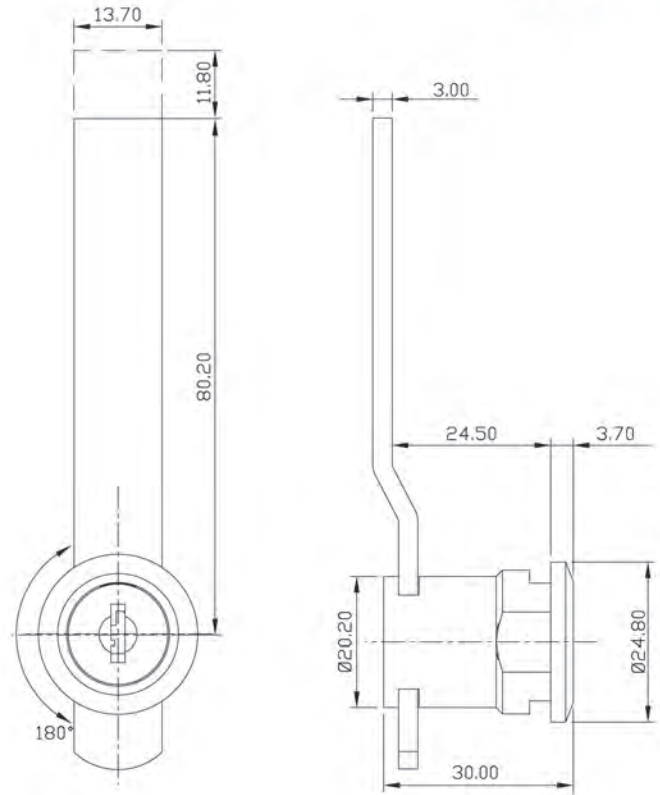
DESK

C-501U-03-G007



U-CLIP

DIMENSIONS



SPECIFICATIONS

- DESK DRAWER BOLT LOCK WITH TYPE G007 LEVER
- KEY REMOVABLE IN LOCKED & UNLOCKED POSITIONS
- SINGLE SIDE BITTEN KEYS
- NON-MASTER KEY SYSTEM
- NON-REMOVABLE CORE SYSTEM
- ZINC ALLOY DIE CAST

SET INCLUDES

- 1 LOCK HOUSING
- 1 CYLINDER CORE
- 2 KEYS
- 1 CLIP
- 1 TYPE G007 LEVER

ORDERING DETAILS

MASTER KEY SYSTEM	MODEL	FINISH	CAM / LEVER NO.	KEY SHAPE	LOGO
C NON-MASTER	501U U-CLIP INSTALLATION	03 CHROME	G007	K004-01	CL

EXAMPLES:

C-501U-03-G007-K004-01-CL

DESK DRAWER BOLT LOCK WITH TYPE G007 LEVER, CHROME FINISH, U-CLIP INSTALLATION, NON-MASTER KEY & NON-REMOVABLE CORE SYSTEM, UNCAPPED KEY



METAL FURNITURE LOCKS

200
KEY CHANGES



The Lock from Lock Experts



DESK

C-501U-03-G009



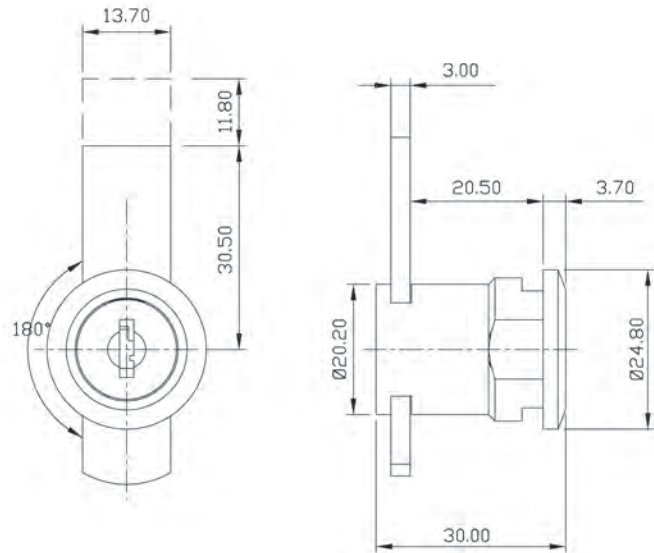
SPECIFICATIONS

- DESK DRAWER BOLT LOCK WITH TYPE G009 LEVER
- KEY REMOVABLE IN LOCKED & UNLOCKED POSITIONS
- SINGLE SIDE BITTEN KEYS
- NON-MASTER KEY SYSTEM
- NON-REMOVABLE CORE SYSTEM
- ZINC ALLOY DIE CAST

SET INCLUDES

- 1 LOCK HOUSING
- 1 CYLINDER CORE
- 2 KEYS
- 1 CLIP
- 1 TYPE G009 LEVER

DIMENSIONS



ORDERING DETAILS

MASTER KEY SYSTEM	MODEL	FINISH	CAM / LEVER NO.	KEY SHAPE	LOGO
C NON-MASTER	501U U-CLIP INSTALLATION	03 CHROME	G009	K004-01	CL

EXAMPLES:

C-501U-03-G009-K004-01-CL

DESK DRAWER BOLT LOCK WITH TYPE G009 LEVER, CHROME FINISH, U-CLIP INSTALLATION, NON-MASTER KEY & NON-REMOVABLE CORE SYSTEM, UNCAPPED KEY



The Lock from Lock Experts

METAL FURNITURE LOCKS

200
KEY CHANGES



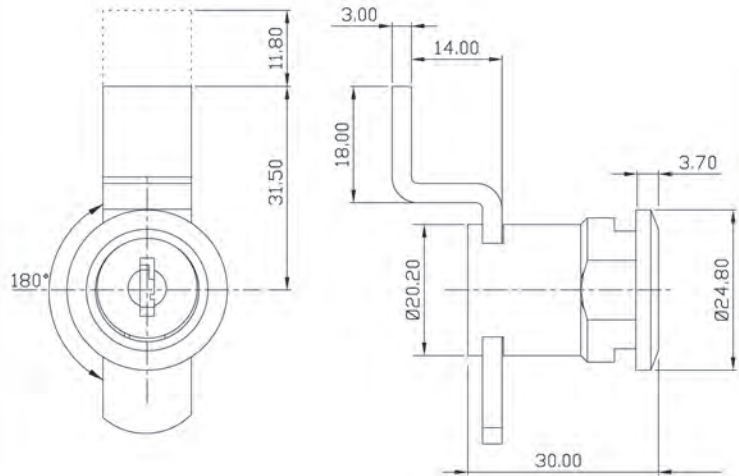
DESK

C-501U-03-G212



U-CLIP

DIMENSIONS



SPECIFICATIONS

- DESK DRAWER BOLT LOCK WITH TYPE G212 LEVER
- KEY REMOVABLE IN LOCKED & UNLOCKED POSITIONS
- SINGLE SIDE BITTEN KEYS
- NON-MASTER KEY SYSTEM
- NON-REMOVABLE CORE SYSTEM
- ZINC ALLOY DIE CAST

SET INCLUDES

- 1 LOCK HOUSING
- 1 CYLINDER CORE
- 2 KEYS
- 1 CLIP
- 1 TYPE G212 LEVER

ORDERING DETAILS

MASTER KEY SYSTEM	MODEL	FINISH	CAM / LEVER NO.	KEY SHAPE	LOGO
C NON-MASTER	501U U-CLIP INSTALLATION	03 CHROME	G212	K004-01	CL

EXAMPLES:

C-501U-03-G212-K004-01-CL

DESK DRAWER BOLT LOCK WITH TYPE G212 LEVER, CHROME FINISH, U-CLIP INSTALLATION, NON-MASTER KEY & NON-REMOVABLE CORE SYSTEM, UNCAPPED KEY



METAL FURNITURE LOCKS

200
KEY CHANGES



The Lock from Lock Experts



SLIDING DOOR CABINET

C-163-03

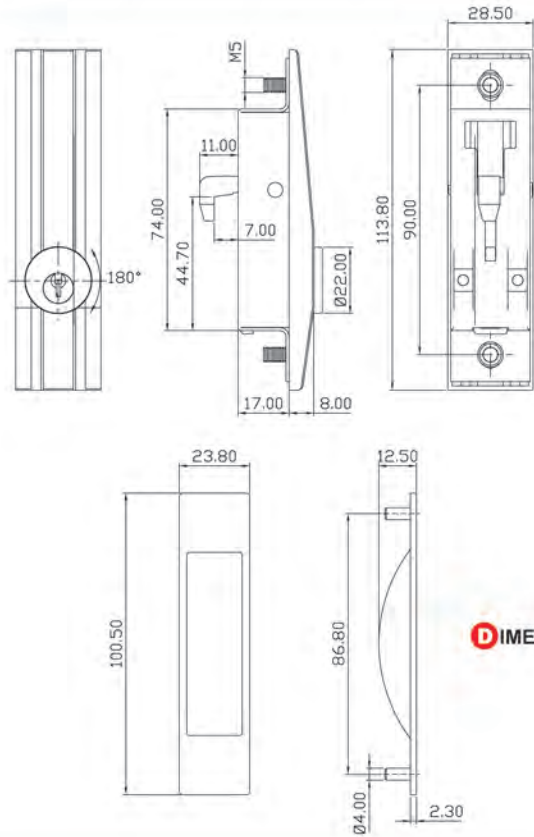


SPECIFICATIONS

- SLIDING DOOR LOCK WITH FINGER PULL
- 180° KEY ROTATION
- KEY REMOVABLE IN LOCKED & UNLOCKED POSITIONS
- SINGLE SIDE BITTEN KEYS
- NON-MASTER KEY SYSTEM
- NON-REMOVABLE CORE SYSTEM
- ZINC ALLOY DIE CAST

SET INCLUDES

- 1 HOUSING HANDLE
- 1 CYLINDER CORE
- 2 KEYS
- 2 HANDLES



DIMENSIONS

ORDERING DETAILS

MASTER KEY SYSTEM	MODEL	FINISH	KEY SHAPE	LOGO
C NON-MASTER	163	03 CHROME	K004-01	CL

EXAMPLES:

C-163-03-K004-01-CL

SLIDING DOOR LOCK WITH FINGER PULL, CHROME FINISH,
NON-MASTER KEY & NON-REMOVABLE CORE SYSTEM, UNCAPPED KEY



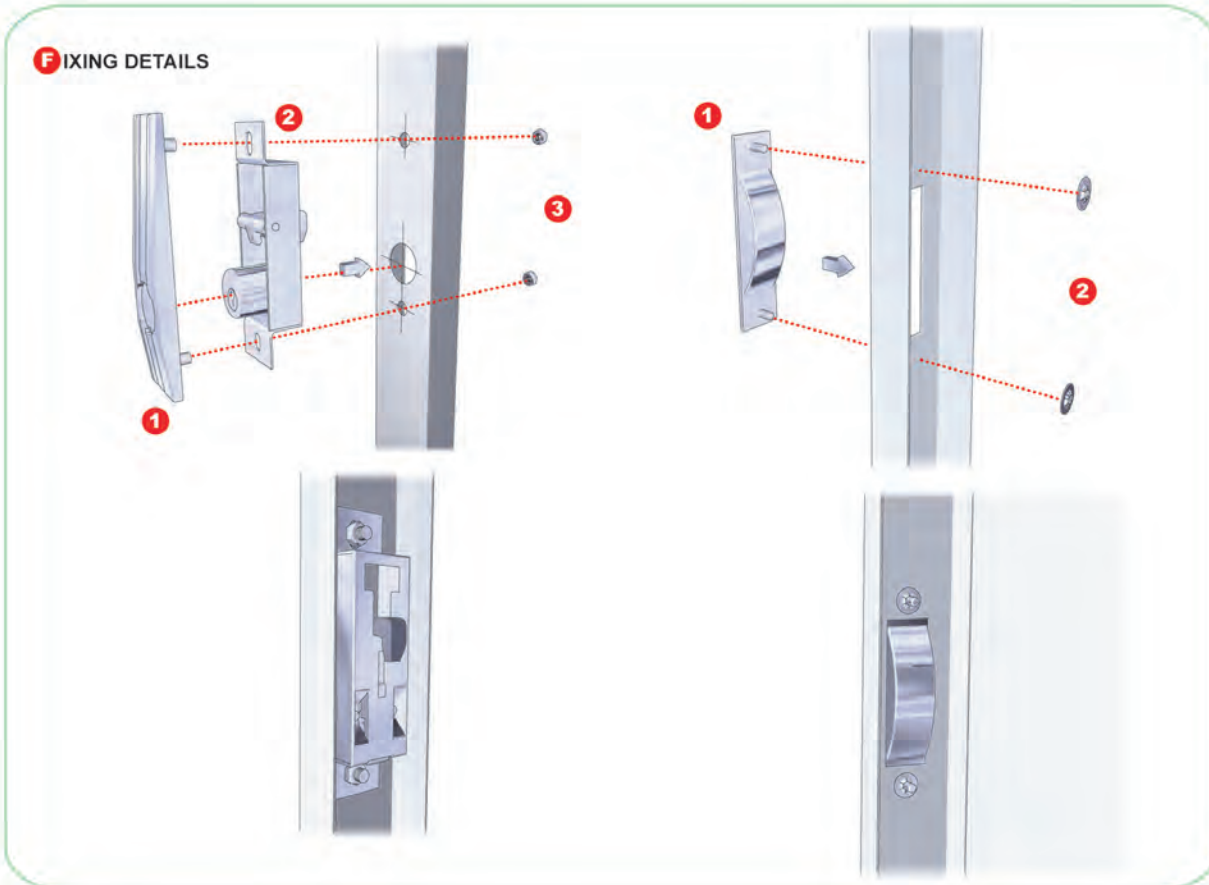
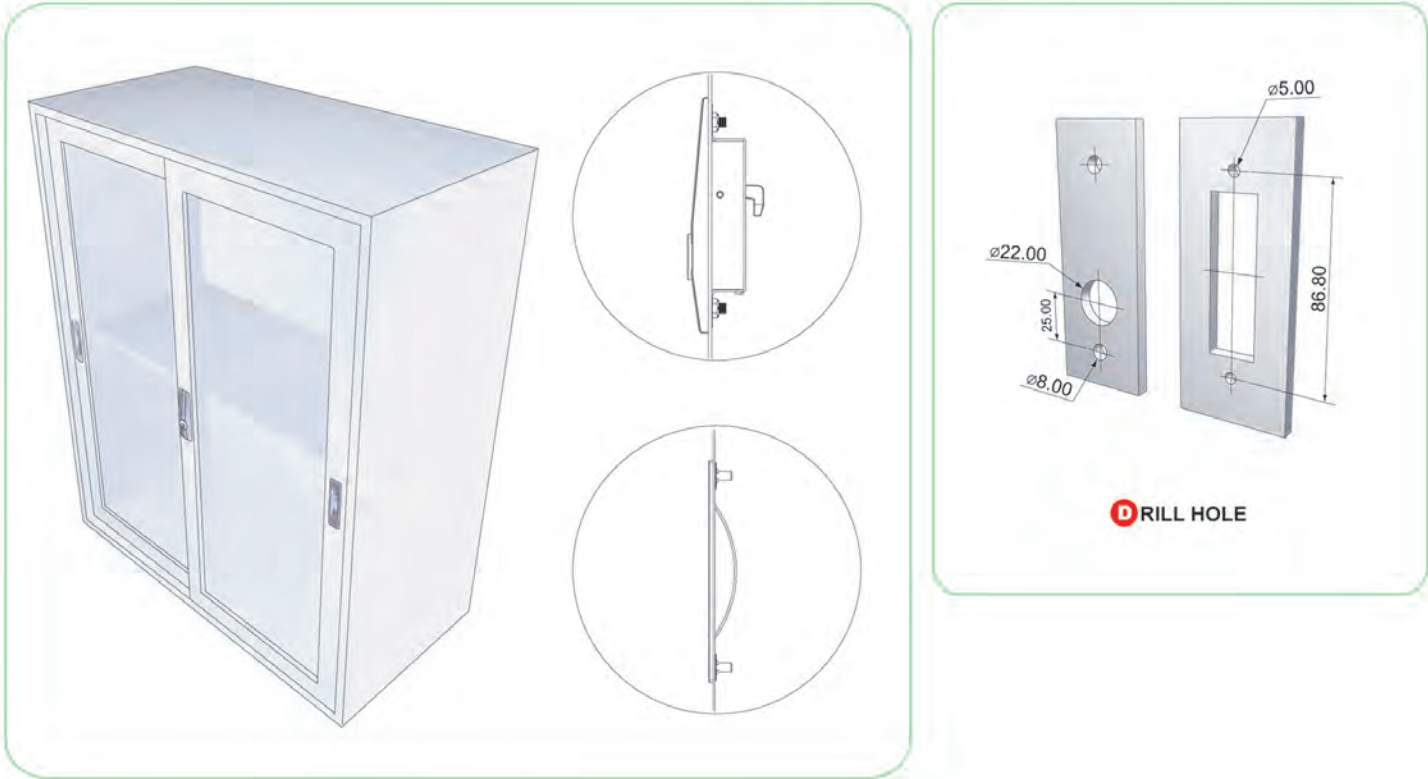
The Lock from Lock Experts

METAL FURNITURE LOCKS

200
KEY CHANGES



SLIDING DOOR CABINET





METAL FURNITURE LOCKS



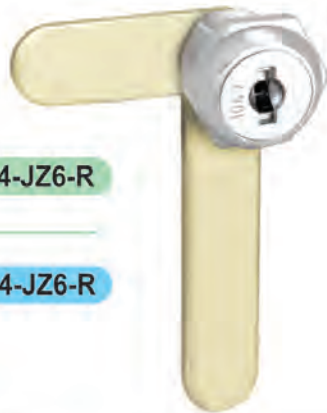
The Lock from Lock Experts

200
KEY CHANGES

NUT
U-CLIP



2-DRAWER PEDESTAL



C-607X-20-01-C24-JZ6-R

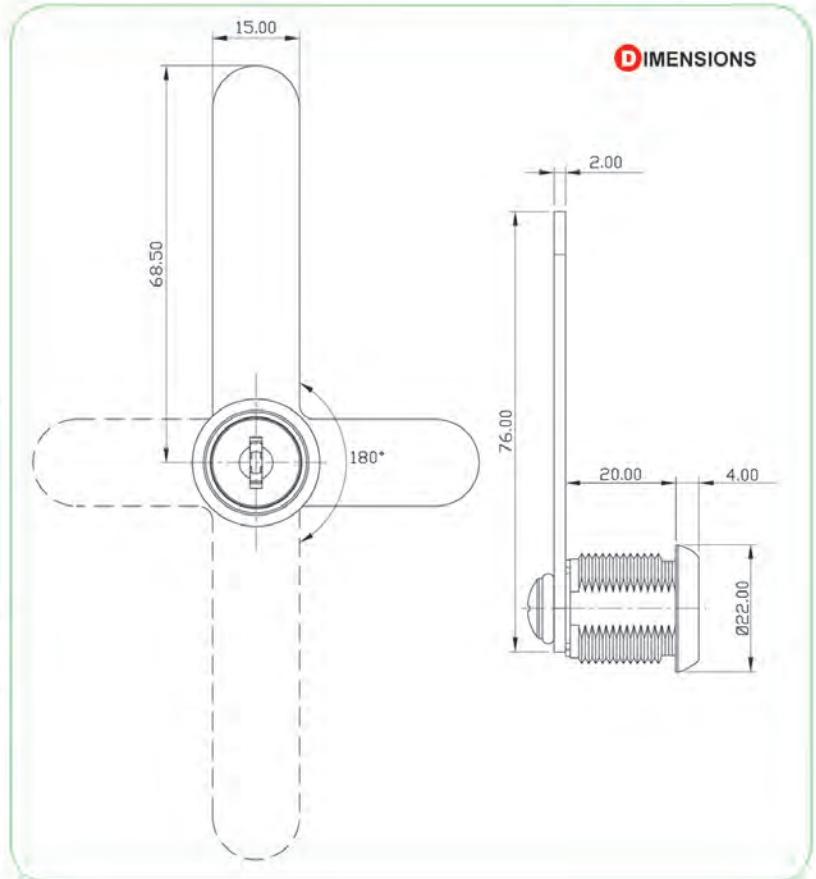
C-607U-20-01-C24-JZ6-R

SPECIFICATIONS

- 20mm 2-DRAWER PEDESTAL LOCK WITH CAM TYPE C24
- 180° ROTARY CAM MOVEMENT
- KEY REMOVABLE IN LOCKED & UNLOCKED POSITIONS
- NON-MASTER KEY SYSTEMS
- NON-REMOVABLE CORE SYSTEM
- ZINC ALLOY DIE CAST

SET INCLUDES

- 1 LOCK HOUSING
- 1 CYLINDER CORE
- 2 KEYS
- 1 HEXAGONAL NUT OR 1 CLIP
- 1 TYPE C24 CAM



ORDERING DETAILS

MASTER KEY SYSTEM	MODEL	CYLINDER HOUSING LENGTH	FINISH	CAM / LEVER NO.	TURNING DIRECTION	FROM LOCKED POSITION	TO UNLOCKED POSITION																														
C NON-MASTER	607X NUT INSTALLATION 607U U-CLIP INSTALLTION	20mm	01 NICKEL 03 CHROME	C____ *SEE CAM / LEVER SECTION	J CLOCKWISE K COUNTERCLOCKWISE	1-Z	<table border="1"> <tr> <td></td> <td>Y</td> <td>Z</td> <td>1</td> <td>1-Z</td> </tr> <tr> <td>X</td> <td></td> <td></td> <td>2</td> <td></td> </tr> <tr> <td>9</td> <td></td> <td></td> <td>3</td> <td></td> </tr> <tr> <td>8</td> <td></td> <td></td> <td>4</td> <td></td> </tr> <tr> <td></td> <td>7</td> <td></td> <td>5</td> <td></td> </tr> <tr> <td></td> <td></td> <td></td> <td>6</td> <td></td> </tr> </table>		Y	Z	1	1-Z	X			2		9			3		8			4			7		5					6	
	Y	Z	1	1-Z																																	
X			2																																		
9			3																																		
8			4																																		
	7		5																																		
			6																																		

REMOVAL OF KEY WHEN UNLOCKED	KEY SHAPE	LOGO
R REMOVABLE	K004-01	CL

EXAMPLES:

C-607X-20-03-C24-JZ6-R-K004-01-CL
2-DRAWER PEDESTAL LOCK WITH CAM TYPE C24, 20mm CYLINDER HOUSING LENGTH, CHROME FINISH, 180 DEGREE CLOCKWISE SWING ANGLE, FROM Z TO 6 POSITION, NON-MASTER KEY & NON-REMOVABLE CORE SYSTEM, UNCAPPED KEY



The Lock from Lock Experts

METAL FURNITURE LOCKS

200
KEY CHANGES



NUT
U-CLIP



2-DRAWER PEDESTAL



C-607X-20-01-C28-JZ6-R

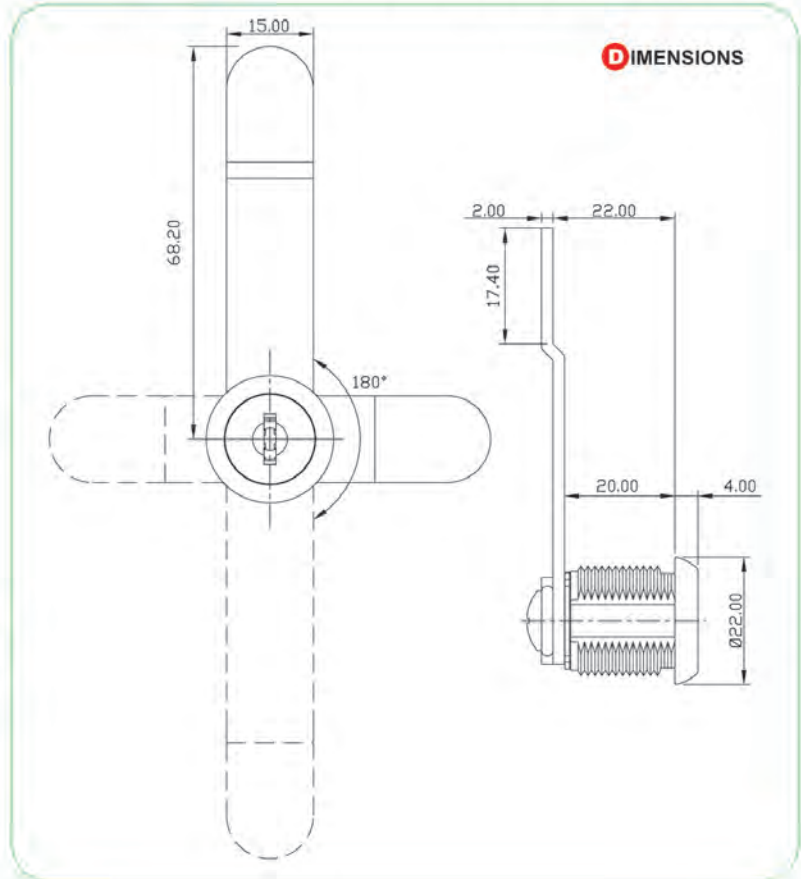
C-607U-20-01-C28-JZ6-R

SPECIFICATIONS

- 20mm 2-DRAWER PEDESTAL LOCK WITH CAM TYPE C28
- 180° ROTARY CAM MOVEMENT
- KEY REMOVABLE IN LOCKED & UNLOCKED POSITIONS
- NON-MASTER KEY SYSTEMS
- NON-REMOVABLE CORE SYSTEM
- ZINC ALLOY DIE CAST

SET INCLUDES

- 1 LOCK HOUSING
- 1 CYLINDER CORE
- 2 KEYS
- 1 HEXAGONAL NUT OR 1 CLIP
- 1 TYPE C28 CAM



ORDERING DETAILS

MASTER KEY SYSTEM	MODEL	CYLINDER HOUSING LENGTH	FINISH	CAM / LEVER NO.	TURNING DIRECTION	FROM LOCKED POSITION	TO UNLOCKED POSITION
C NON-MASTER	607X NUT INSTALLATION 607U U-CLIP INSTALLTION	20mm	01 NICKEL 03 CHROME	C_ _ _ *SEE CAM / LEVER SECTION	J CLOCKWISE K COUNTERCLOCKWISE	1-Z	1-Z

REMOVAL OF KEY WHEN UNLOCKED	KEY SHAPE	LOGO
R REMOVABLE	K004-01	CL

EXAMPLES:

C-607X-20-03-C28-JZ6-R-K004-01-CL

2-DRAWER PEDESTAL LOCK WITH CAM TYPE C28, 20mm CYLINDER HOUSING LENGTH, CHROME FINISH, 180 DEGREE CLOCKWISE SWING ANGLE, FROM Z TO 6 POSITION, NON-MASTER KEY & NON-REMOVABLE CORE SYSTEM, UNCAPPED KEY



METAL FURNITURE LOCKS



The Lock from Lock Experts

200
KEY CHANGES

NUT
U-CLIP



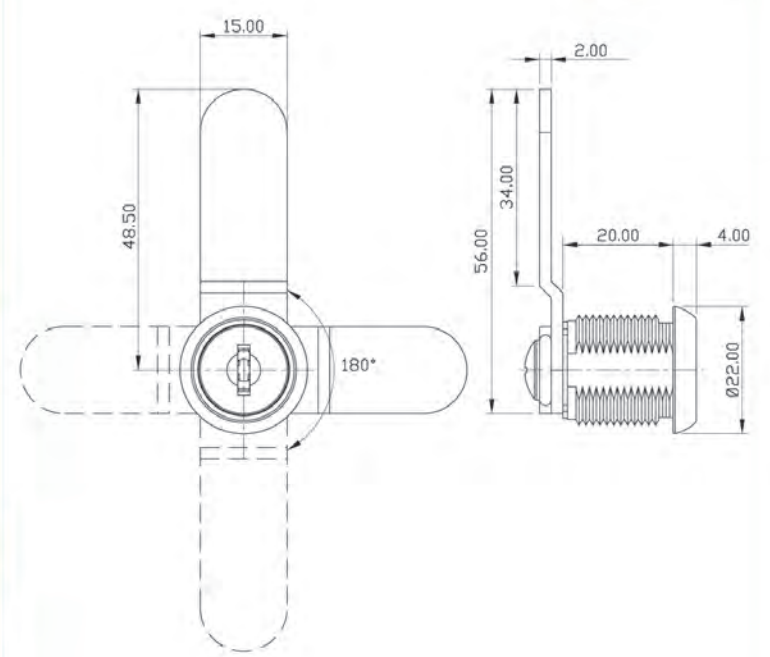
2-DRAWER PEDESTAL



C-607X-20-01-C30-JZ6-R

C-607U-20-01-C30-JZ6-R

DIMENSIONS



SPECIFICATIONS

- 20mm 2-DRAWER PEDESTAL LOCK WITH CAM TYPE C30
- 180° ROTARY CAM MOVEMENT
- KEY REMOVABLE IN LOCKED & UNLOCKED POSITIONS
- NON-MASTER KEY SYSTEMS
- NON-REMOVABLE CORE SYSTEM
- ZINC ALLOY DIE CAST

SET INCLUDES

- 1 LOCK HOUSING
- 1 CYLINDER CORE
- 2 KEYS
- 1 HEXAGONAL NUT OR 1 CLIP
- 1 TYPE C30 CAM

ORDERING DETAILS

MASTER KEY SYSTEM	MODEL	CYLINDER HOUSING LENGTH	FINISH	CAM / LEVER NO.	TURNING DIRECTION	FROM LOCKED POSITION	TO UNLOCKED POSITION
C NON-MASTER	607X NUT INSTALLATION 607U U-CLIP INSTALLTION	20mm	01 NICKEL 03 CHROME	C_ _ _ *SEE CAM / LEVER SECTION	J CLOCKWISE K COUNTERCLOCKWISE	1-Z	

REMOVAL OF KEY WHEN UNLOCKED	KEY SHAPE	LOGO
R REMOVABLE	K004-01	CL

EXAMPLES:
C-607X-20-03-C30-JZ6-R-K004-01-CL
 2-DRAWER PEDESTAL LOCK WITH CAM TYPE C30, 20mm CYLINDER HOUSING LENGTH, CHROME FINISH, 180 DEGREE CLOCKWISE SWING ANGLE, FROM Z TO 6 POSITION, NON-MASTER KEY & NON-REMOVABLE CORE SYSTEM, UNCAPPED KEY



The Lock from Lock Experts

METAL FURNITURE LOCKS

200
KEY CHANGES



NUT
U-CLIP



2-DRAWER PEDESTAL

C-607X-20-01-C32-JZ6-R

C-607U-20-01-C32-JZ6-R

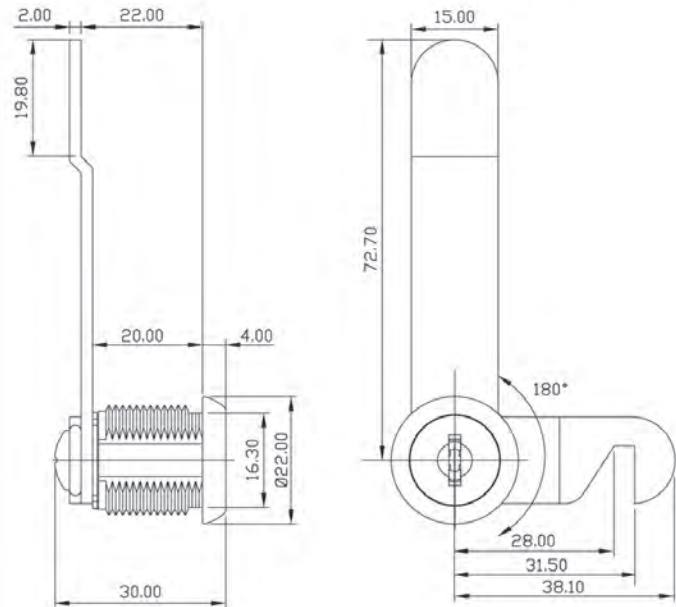
SPECIFICATIONS

- 20mm 2-DRAWER PEDESTAL LOCK WITH CAM TYPE C32
- 180° ROTARY CAM MOVEMENT
- KEY REMOVABLE IN LOCKED & UNLOCKED POSITIONS
- NON-MASTER KEY SYSTEMS
- NON-REMOVABLE CORE SYSTEM
- ZINC ALLOY DIE CAST

SET INCLUDES

- 1 LOCK HOUSING
- 1 CYLINDER CORE
- 2 KEYS
- 1 HEXAGONAL NUT OR 1 CLIP
- 1 TYPE C32 CAM

DIMENSIONS



ORDERING DETAILS

MASTER KEY SYSTEM	MODEL	CYLINDER HOUSING LENGTH	FINISH	CAM / LEVER NO.	TURNING DIRECTION	FROM LOCKED POSITION	TO UNLOCKED POSITION
C NON-MASTER	607X NUT INSTALLATION 607U U-CLIP INSTALLTION	20mm	01 NICKEL 03 CHROME	C *SEE CAM / LEVER SECTION	J CLOCKWISE K COUNTERCLOCKWISE	1-Z	1-Z

REMOVAL OF KEY WHEN UNLOCKED	KEY SHAPE	LOGO
R REMOVABLE	K004-01	CL

EXAMPLES:

C-607X-20-03-C32-JZ6-R-K004-01-CL

2-DRAWER PEDESTAL LOCK WITH CAM TYPE C32 20mm CYLINDER HOUSING LENGTH, CHROME FINISH, 180 DEGREE CLOCKWISE SWING ANGLE, FROM Z TO 6 POSITION, NON-MASTER KEY & NON-REMOVABLE CORE SYSTEM, UNCAPPED KEY



METAL FURNITURE LOCKS

200
KEY CHANGES



The Lock from Lock Experts



SWING DOOR CABINET

C-607X-20-01-C13-JZ3-R

C-607U-20-01-C13-JZ3-R



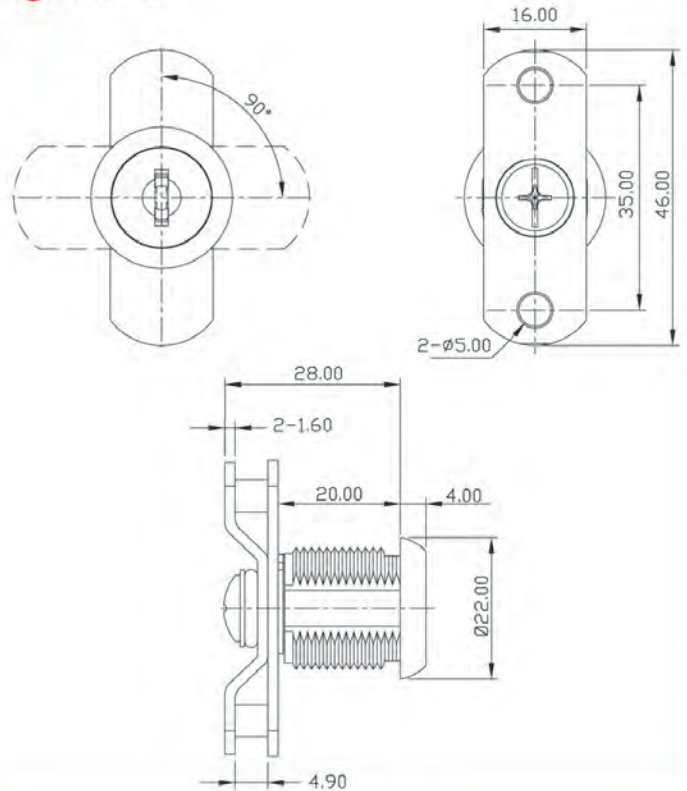
SPECIFICATIONS

- 20mm CAM LOCK WITH CAM TYPE C13
- 90° ROTARY CAM MOVEMENT
- KEY REMOVABLE IN LOCKED & UNLOCKED POSITIONS
- SINGLE SIDE BITTEN KEYS
- NON-MASTER KEY SYSTEM
- NON-REMOVABLE CORE SYSTEM
- ZINC ALLOY DIE CAST

SET INCLUDES

- 1 LOCK HOUSING
- 1 CYLINDER CORE
- 2 KEYS
- 1 HEXAGONAL NUT OR 1 CLIP
- 1 TYPE C13 CAM

DIMENSIONS



ORDERING DETAILS

MASTER KEY SYSTEM	MODEL	CYLINDER HOUSING LENGTH	FINISH	CAM / LEVER NO.	TURNING DIRECTION	FROM LOCKED POSITION	TO UNLOCKED POSITION
C NON-MASTER	607X NUT INSTALLATION 607U U-CLIP INSTALLTION	20mm	01 NICKEL 03 CHROME	C___ *SEE CAM / LEVER SECTION	J CLOCKWISE K COUNTERCLOCKWISE	1-Z	1-Z

REMOVAL OF KEY WHEN UNLOCKED	KEY SHAPE	LOGO
R REMOVABLE	K004-01	CL

EXAMPLES:

C-607X-20-01-C13-JZ-R-K004-01-CL
CAM LOCK WITH CAM TYPE C13, NUT INSTALLATION, 20mm CYLINDER HOUSING LENGTH, NICKEL FINISH, 90 DEGREE CLOCKWISE SWING ANGLE, FROM 9 TO Z POSITION, NON-MASTER KEY & NON-REMOVABLE CORE SYSTEM, UNCAPPED KEY

C-607U-20-03-C13-JZ-R-K004-01-CL
CAM LOCK WITH CAM TYPE C13, U-CLIP INSTALLATION, 20mm CYLINDER HOUSING LENGTH, CHROME FINISH, 90 DEGREE CLOCKWISE SWING ANGLE, FROM 9 TO Z POSITION, NON-MASTER KEY & NON-REMOVABLE CORE SYSTEM, UNCAPPED KEY



The Lock from Lock Experts

METAL FURNITURE LOCKS



200
KEY CHANGES



C-161-03



SWING DOOR CABINET

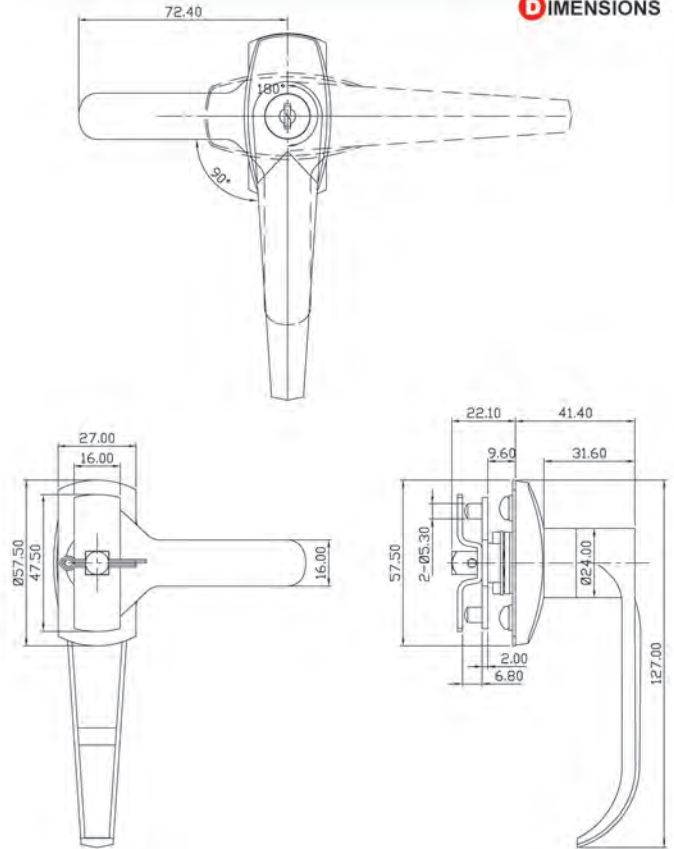
SPECIFICATIONS

- L-HANDLE LOCK
- 90° ROTARY CAM MOVEMENT
- 180° KEY ROTATION
- KEY REMOVABLE IN LOCKED & UNLOCKED POSITIONS
- SINGLE SIDE BITTEN KEYS
- NON-MASTER KEY SYSTEM
- NON-REMOVABLE CORE SYSTEM
- ZINC ALLOY DIE CAST

SET INCLUDES

- 1 HANDLE LOCK HOUSING
- 1 CYLINDER CORE
- 2 KEYS
- 1 TYPE G022 LEVER

DIMENSIONS



ORDERING DETAILS

MASTER KEY SYSTEM	MODEL	FINISH	KEY SHAPE	LOGO
C NON-MASTER	161	03 CHROME	K004-01	CL

EXAMPLES:

C-161-03-K004-01-CL

HANDLE LOCK, CHROME FINISH, NON-MASTER KEY & NON-REMOVABLE CORE SYSTEM, UNCAPPED KEY



METAL FURNITURE LOCKS



The Lock from Lock Experts

200
KEY CHANGES



SWING DOOR CABINET

C-162-03



SPECIFICATIONS

- L-HANDLE
- CHROME FINISH
- TO BE USED WITH C-161

SET INCLUDES

- 1 HANDLE
- 1 COVER
- 2 SCREWS
- 2 SPRINGS

ORDERING DETAILS

MASTER KEY SYSTEM	MODEL	FINISH
C NON-MASTER	162	03 CHROME

EXAMPLES:

C-162-03
HANDLE, CHROME FINISH, TO BE USED WITH C-161

DIMENSIONS

