



METAL FURNITURE LOCKS



The Lock from Lock Experts

D-101X-19-C01

D-101U-19-C01



LOCKER

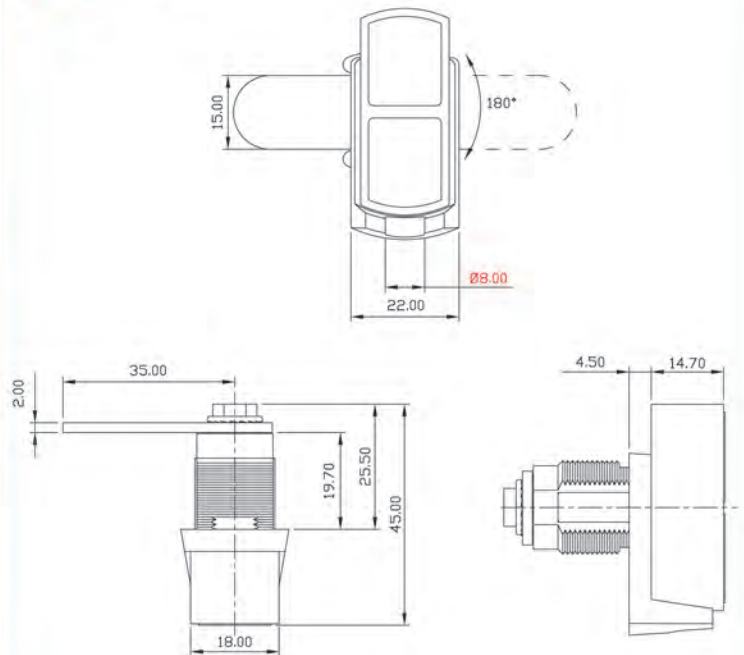
SPECIFICATIONS

- LATCH LOCK FOR PADLOCKING
- 180° ROTARY CAM MOVEMENT
- NON-LOCKING

SET INCLUDES

- 1 LOCK HOUSING
- 1 TYPE C01 CAM
- 1 HEXAGONAL NUT

DIMENSIONS



ORDERING DETAILS

SYSTEM	MODEL	CYLINDER HOUSING LENGTH	FINISH	CAM / LEVER NO.	TURNING DIRECTION	FROM LOCKED POSITION	TO UNLOCKED POSITION																														
D KEYLESS	101X NUT INSTALLATION 101U U-CLIP INSTALLATION	19mm	01 NICKEL 03 CHROME	C___ *SEE CAM / LEVER SECTION FOR 2.5mm THICKNESS, USE CT___	J CLOCKWISE K COUNTERCLOCKWISE	1-Z	<table border="1"> <tr> <td></td> <td>Y</td> <td>Z</td> <td>1</td> <td>1-Z</td> </tr> <tr> <td>X</td> <td></td> <td></td> <td>2</td> <td></td> </tr> <tr> <td>9</td> <td></td> <td></td> <td>3</td> <td></td> </tr> <tr> <td>8</td> <td></td> <td></td> <td>4</td> <td></td> </tr> <tr> <td></td> <td>7</td> <td></td> <td>5</td> <td></td> </tr> <tr> <td></td> <td></td> <td>6</td> <td></td> <td></td> </tr> </table>		Y	Z	1	1-Z	X			2		9			3		8			4			7		5				6		
	Y	Z	1	1-Z																																	
X			2																																		
9			3																																		
8			4																																		
	7		5																																		
		6																																			

EXAMPLES:

D-101X-19-03-C01-J93

LATCH LOCK FOR PADLOCKING WITH CAM TYPE C01, CHROME FINISH, 180 DEGREE SWING ANGLE, FROM 9 TO 3 POSITION, NON-LOCKING



The Lock from Lock Experts

METAL FURNITURE LOCKS



D-102X-30-C80

D-102U-30-C80



NUT
U-CLIP



LOCKER

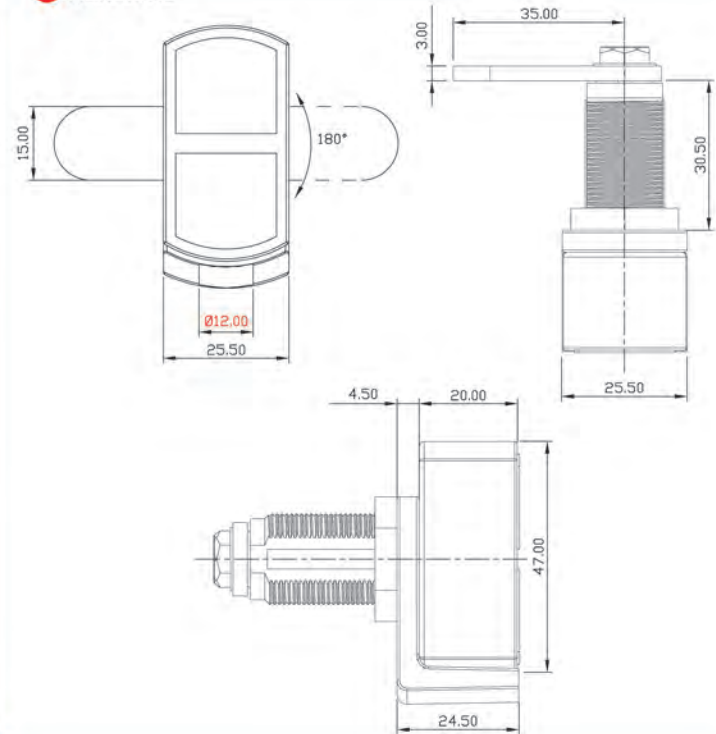
SPECIFICATIONS

- LATCH LOCK FOR PADLOCKING
- 180° ROTARY CAM MOVEMENT
- NON-LOCKING

SET INCLUDES

- 1 LOCK HOUSING
- 1 TYPE C01 CAM
- 1 HEXAGONAL NUT

DIMENSIONS



ORDERING DETAILS

SYSTEM	MODEL	CYLINDER HOUSING LENGTH	FINISH	CAM / LEVER NO.	TURNING DIRECTION	FROM LOCKED POSITION	TO UNLOCKED POSITION
D KEYLESS	102X NUT INSTALLATION 102U U-CLIP INSTALLATION	30mm	01 NICKEL 03 CHROME	C___ *SEE CAM / LEVER SECTION FOR 2.5mm THICKNESS, USE CT___	J CLOCKWISE K COUNTERCLOCKWISE	1-Z	1-Z

EXAMPLES:

D-102X-30-03-C01-J93

HANDLE FOR PADLOCKING WITH CAM TYPE C01, CHROME FINISH, 180 DEGREE SWING ANGLE, FROM 9 TO 3 POSITION, NON-LOCKING





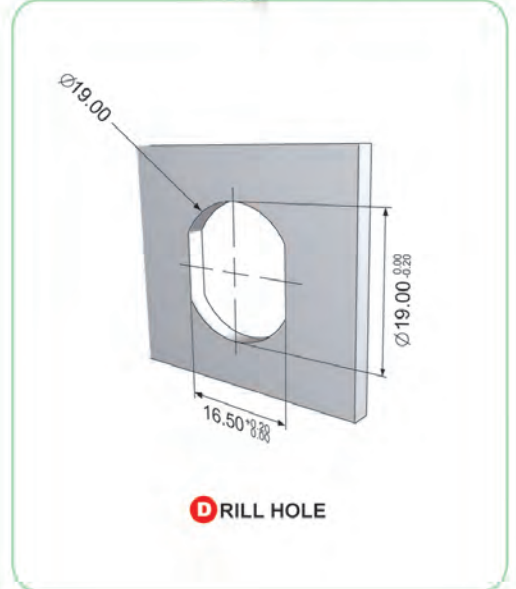
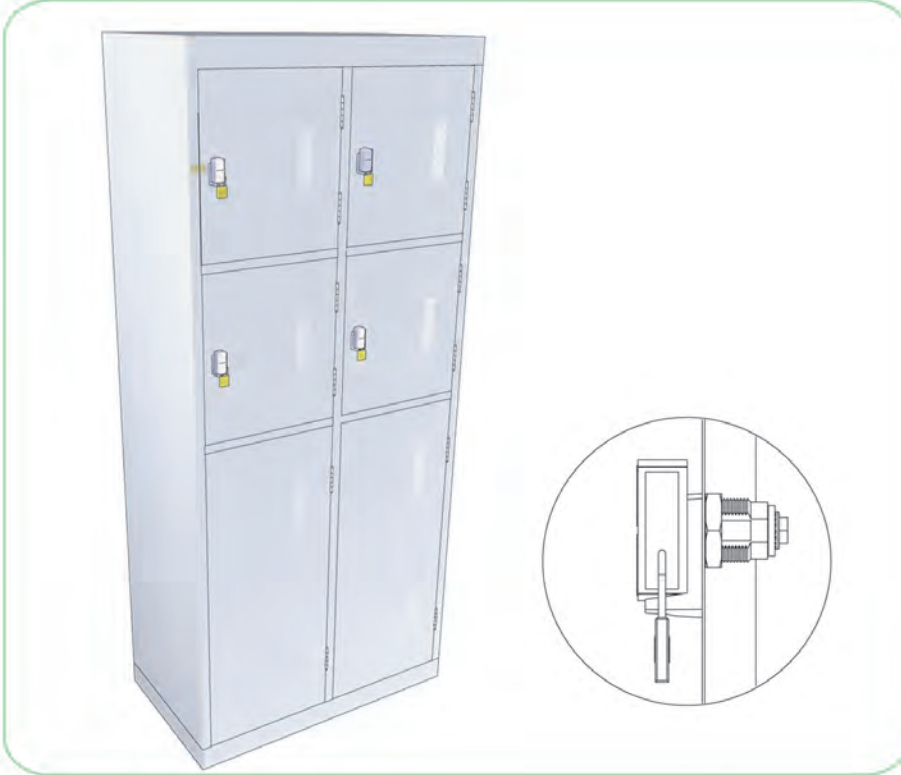
METAL FURNITURE LOCKS



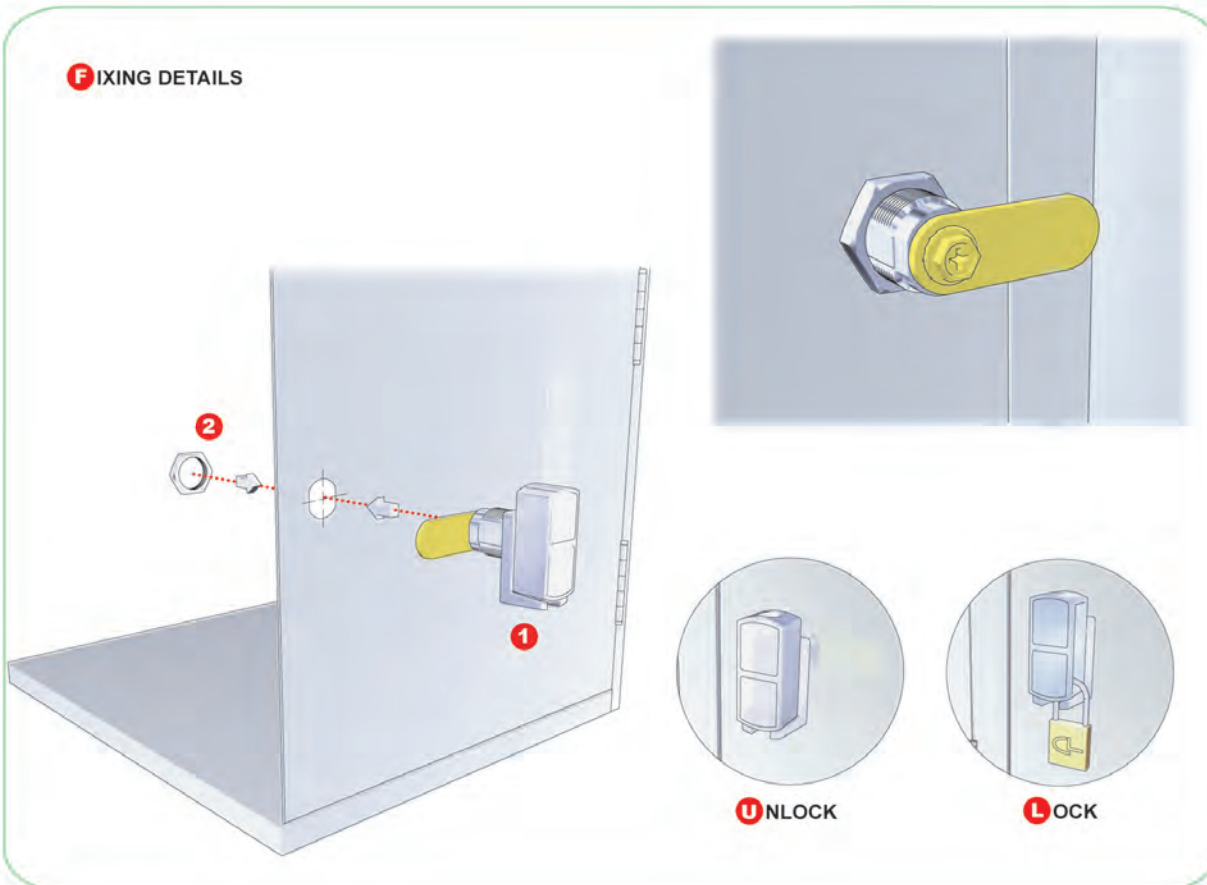
The Lock from Lock Experts



LOCKER



FIXING DETAILS





METAL FURNITURE LOCKS



The Lock from Lock Experts

D-103X-20-C13

D-103U-20-C13



NUT
U-CLIP

D-104X-20-C13

D-104U-20-C13

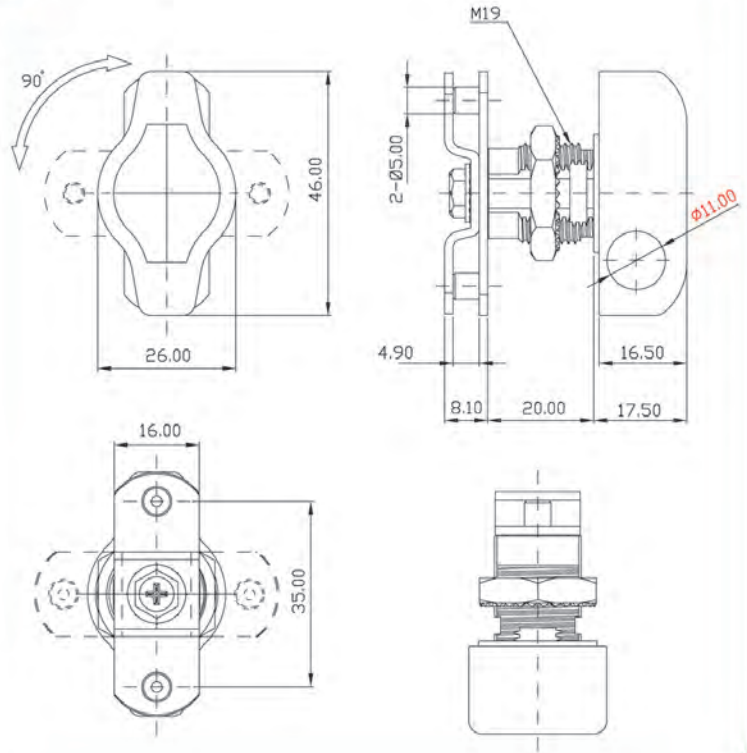


NUT
U-CLIP



SWING DOOR CABINET

DIMENSIONS



SPECIFICATIONS

- LATCH LOCK FOR PADLOCKING
- 90° ROTARY CAM MOVEMENT
- NON-LOCKING

SET INCLUDES

- 1 LOCK HOUSING
- 1 TYPE C13 CAM
- 1 HEXAGONAL NUT

ORDERING DETAILS

MASTER KEY SYSTEM	MODEL	CYLINDER HOUSING LENGTH	FINISH	CAM / LEVER NO.	TURNING DIRECTION	FROM LOCKED POSITION	TO UNLOCKED POSITION
D NOT AVAILABLE	103X 104X NUT INSTALLATION 103U 104U U-CLIP INSTALLATION	20mm	01 NICKEL 03 CHROME	C____ *SEE CAM / LEVER SECTION	J CLOCKWISE K COUNTERCLOCKWISE	1-Z	

EXAMPLES:

D-103X-20-03-C13-J9Z

HANDLE FOR PADLOCKING WITH CAM TYPE C13, CHROME FINISH, 90 DEGREE SWING ANGLE, FROM 9 TO Z POSITION, NON-LOCKING

D-104X-20-03-C13-J9Z

HANDLE FOR PADLOCKING WITH CAM TYPE C13, CHROME FINISH, 90 DEGREE SWING ANGLE, FROM 9 TO Z POSITION, NON-LOCKING



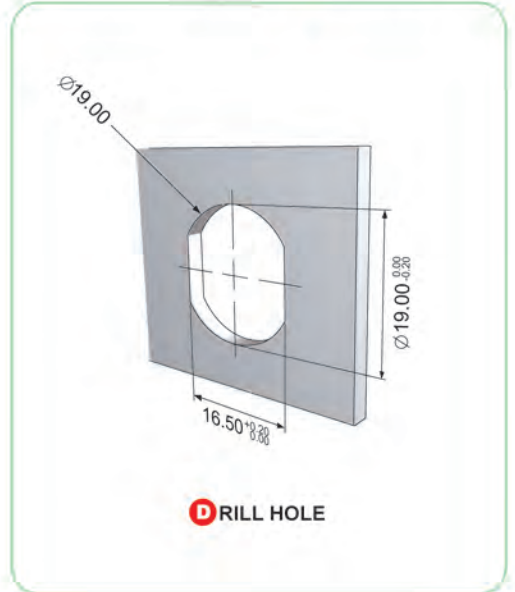
METAL FURNITURE LOCKS



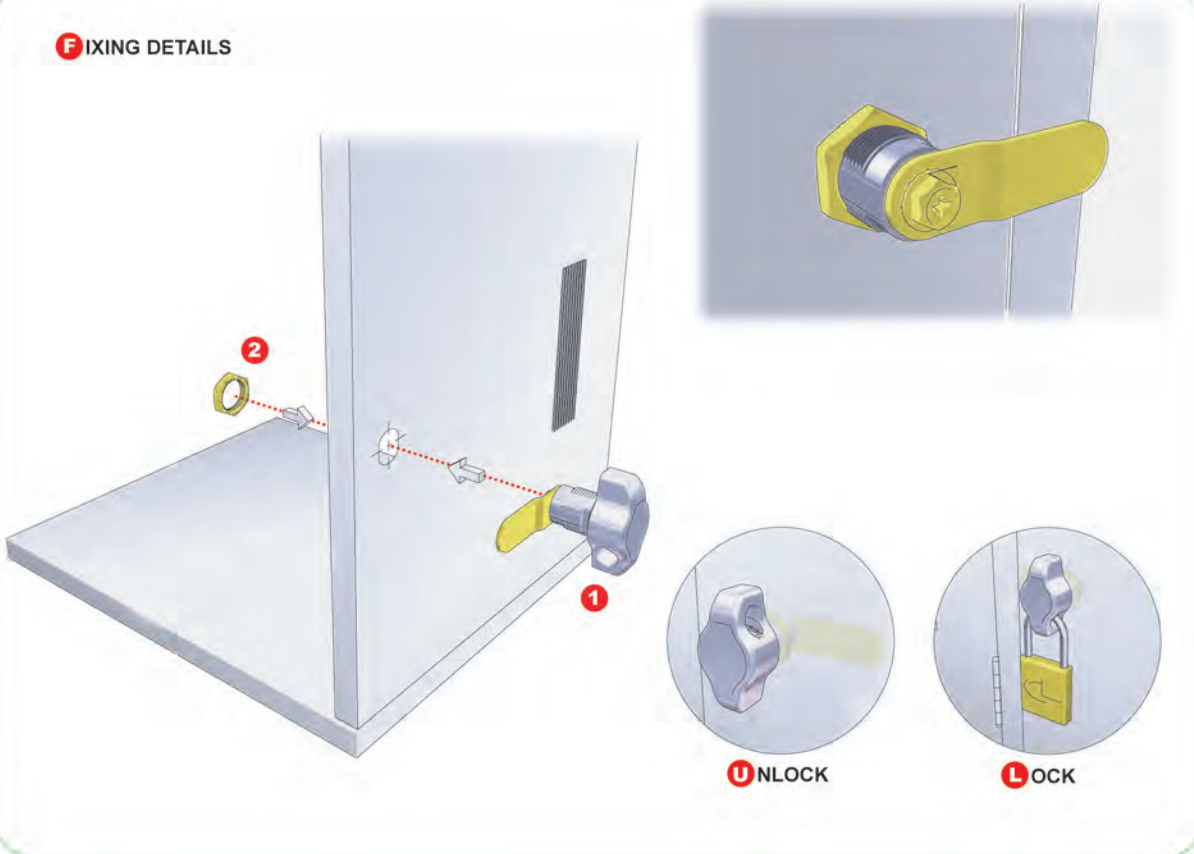
The Lock from Lock Experts



LOCKER



FIXING DETAILS





The Lock from Lock Experts

METAL FURNITURE LOCKS



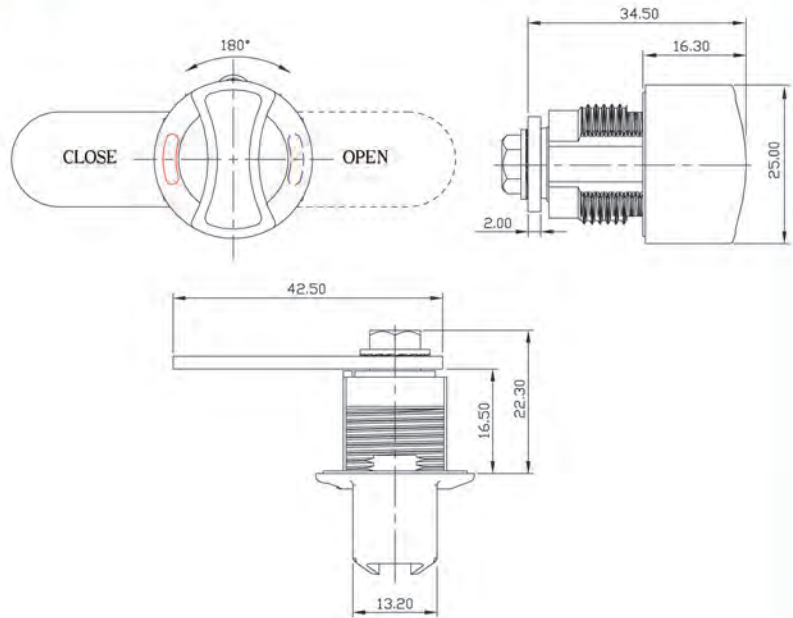
D-105X-16-C01

D-105U-16-C01



LOCKER

DIMENSIONS



SPECIFICATIONS

- LATCH LOCK
- 180° ROTARY CAM MOVEMENT
- NON-LOCKING

SET INCLUDES

- 1 LOCK
- 1 TYPE C01 CAM
- 1 HEXAGONAL NUT

ORDERING DETAILS

MASTER KEY SYSTEM	MODEL	CYLINDER HOUSING LENGTH	FINISH	CAM / LEVER NO.	TURNING DIRECTION	FROM LOCKED POSITION	TO UNLOCKED POSITION
D NOT AVAILABLE	105X NUT INSTALLATION 105U U-CLIP INSTALLATION	16mm	01 NICKEL 03 CHROME	C___ *SEE CAM / LEVER SECTION FOR 2.5mm THICKNESS, USE CT___	J CLOCKWISE K COUNTERCLOCKWISE	1-Z	

EXAMPLES:

D-105X-16-01-C01-J93

LATCH LOCK WITH CAM TYPE C01, NICKEL FINISH, 180 DEGREE SWING ANGLE, FROM 9 TO 3 POSITION, NON-LOCKING

D-105U-16-03-DK220-JZ6

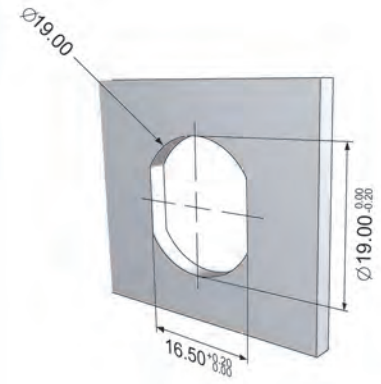
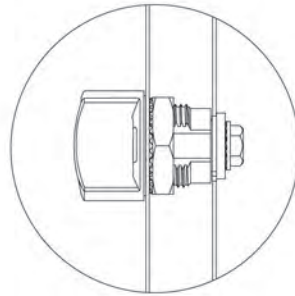
LATCH LOCK WITH LEVER TYPE DK220, CHROME FINISH, 180 DEGREE SWING ANGLE, FROM Z TO 6 POSITION, NON-LOCKING



METAL FURNITURE LOCKS

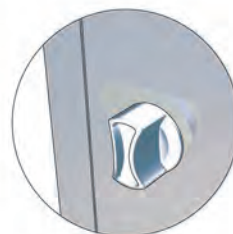
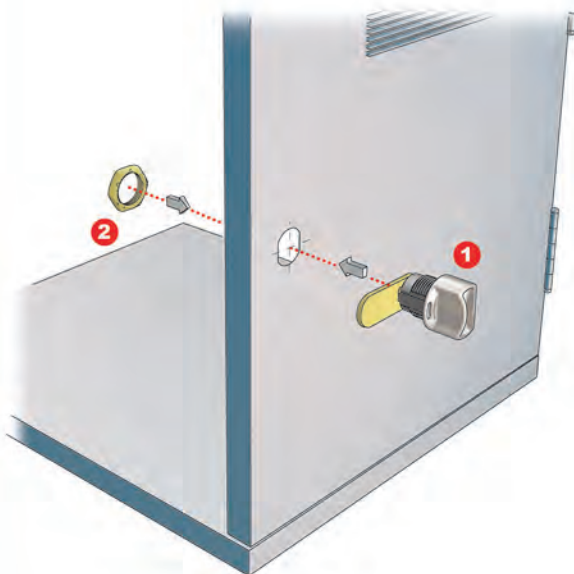


The Lock from Lock Experts

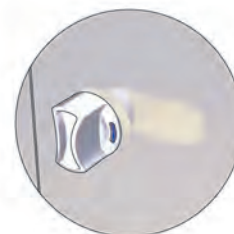


D RILL HOLE

FIXING DETAILS



LOCK



UNLOCK



METAL FURNITURE LOCKS



The Lock from Lock Experts

QUICK-FIX

D-552-G086



FOR 0.8-1mm METAL THICKNESS

SPECIFICATIONS

- FLUSH HANDLE CAM LOCK WITH CAM TYPE G086
- ZINC ALLOY DIE CAST HOUSING (BLACK PLATED)
- ZINC ALLOY DIE CAST HANDLE (CHROME PLATED)
- EASY TO INSTALL WITH SUPPLIED SPRING LOCK
- KEYLESS

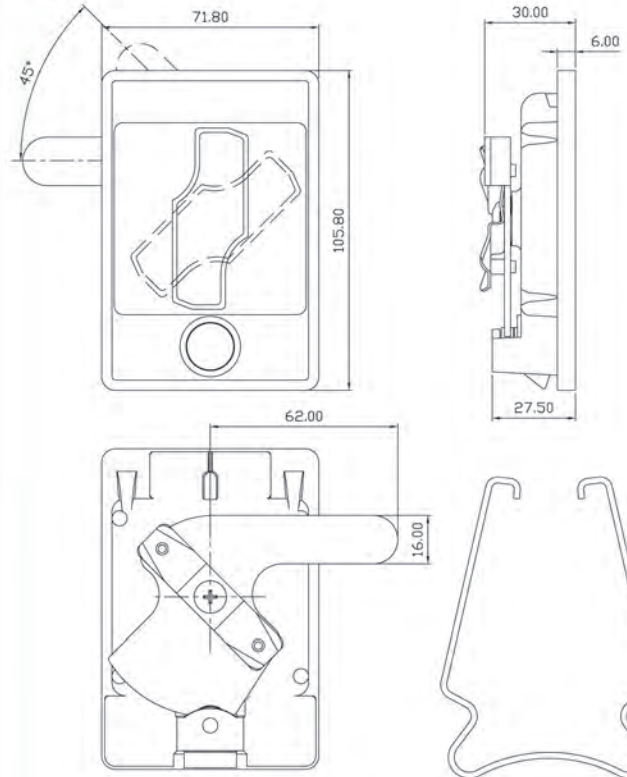
SET INCLUDES

- 1 FLUSH HANDLE CAM LOCK
- 1 CAM TYPE G086
- 1 SWC GRADE STEEL CLIP
- 1 SCREW



SWING DOOR CABINET

DIMENSIONS



ORDERING DETAILS

SYSTEM	MODEL	FINISH	CAM / LEVER NO.
D KEYLESS	552	04 BLACK E.D.P.	G086 *SEE CAM / LEVER SECTION

EXAMPLES:

D-552-91-G086
FLUSH HANDLE WITH CAM TYPE G086, BLACK FINISH, NON-LOCKING



The Lock from Lock Experts

METAL FURNITURE LOCKS



SYSTEM

D

QUICK-FIX



SWING DOOR CABINET

D-552



FOR 0.8-1mm METAL THICKNESS

SPECIFICATIONS

- FLUSH HANDLE FIX
- ZINC ALLOY DIE CAST HOUSING (BLACK PLATED)
- ZINC ALLOY DIE CAST HANDLE (CHROME PLATED)
- EASY TO INSTALL WITH SUPPLIED SPRING LOCK
- NON-LOCKING

SET INCLUDES

- 1 ZINC ALLOY DIE CAST HOUSING (BLACK PLATED)
- 1 ZINC ALLOY DIE CAST HANDLE (CHROME PLATED)
- 1 SWC GRADE STEEL CLIP
- 1 SCREW

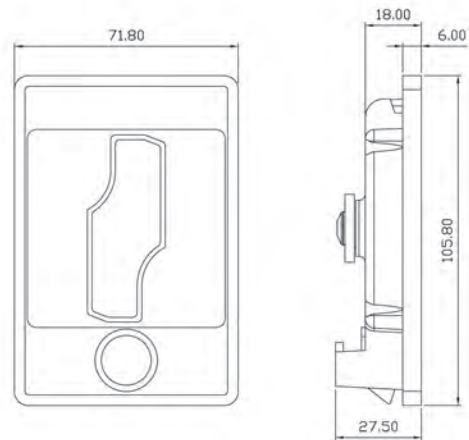
ORDERING DETAILS

SYSTEM	MODEL	FINISH
D KEYLESS	552	04 BLACK E.D.P.

EXAMPLES:

D-552
FLUSH HANDLE FIX, BLACK FINISH, NON-LOCKING

DIMENSIONS





The Lock from Lock Experts

METAL FURNITURE LOCKS



QUICK-FIX

D-553-91-G132

FOR 0.8-1mm METAL THICKNESS

SPECIFICATIONS

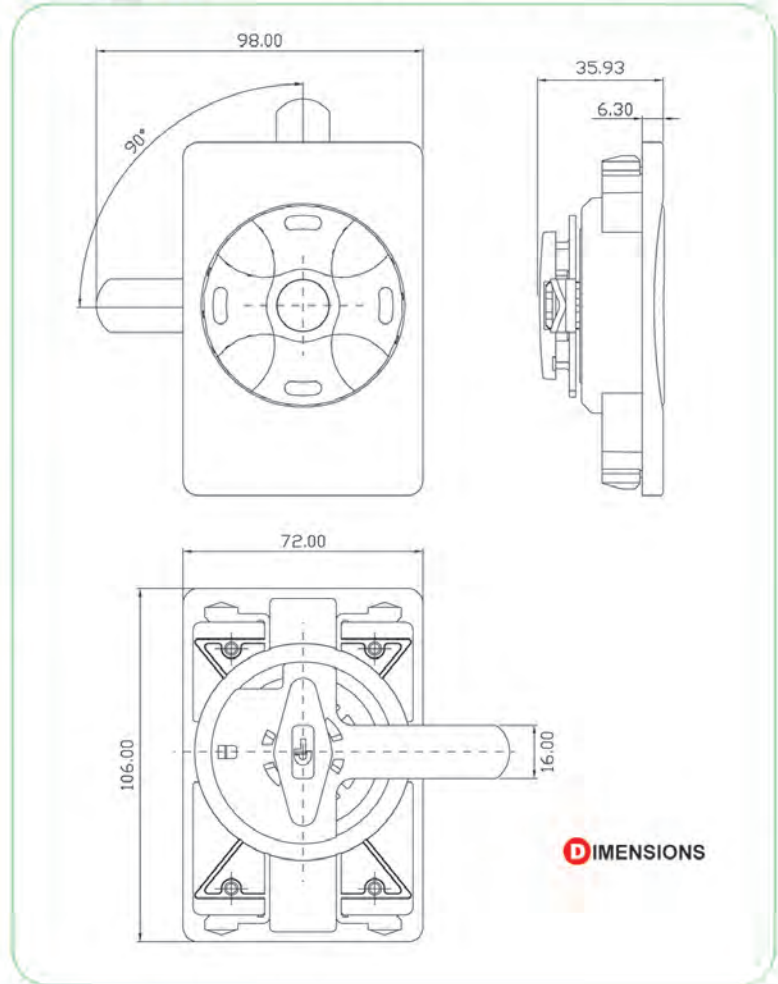
- PLASTIC FLUSH HANDLE CAM LOCK WITH CAM TYPE G132
- NON-LOCKING

SET INCLUDES

- 1 PLASTIC FLUSH HANDLE HOUSING
- 1 TYPE G132 CAM



SWING DOOR CABINET



DIMENSIONS

ORDERING DETAILS

MASTER KEY SYSTEM	MODEL	FINISH	CAM / LEVER NO.
D NOT AVAILABLE	553	04 BLACK E.D.P. 91 BLACK	G132 *SEE CAM / LEVER SECTION

EXAMPLES:

D-553-91-G132

PLASTIC FLUSH HANDLE CAM LOCK WITH CAM TYPE G132, BLACK FINISH, NON-LOCKING



The Lock from Lock Experts

METAL FURNITURE LOCKS

4-IN-1 SYSTEM

2000 KEY CHANGES

MASTER KEY SYSTEM

REMOVABLE CORE SYSTEM

KEY IS OPTIONAL

SYSTEM

D



QUICK-FIX



SWING DOOR CABINET

D-554R-04-G320

FOR 0.6-1mm METAL THICKNESS

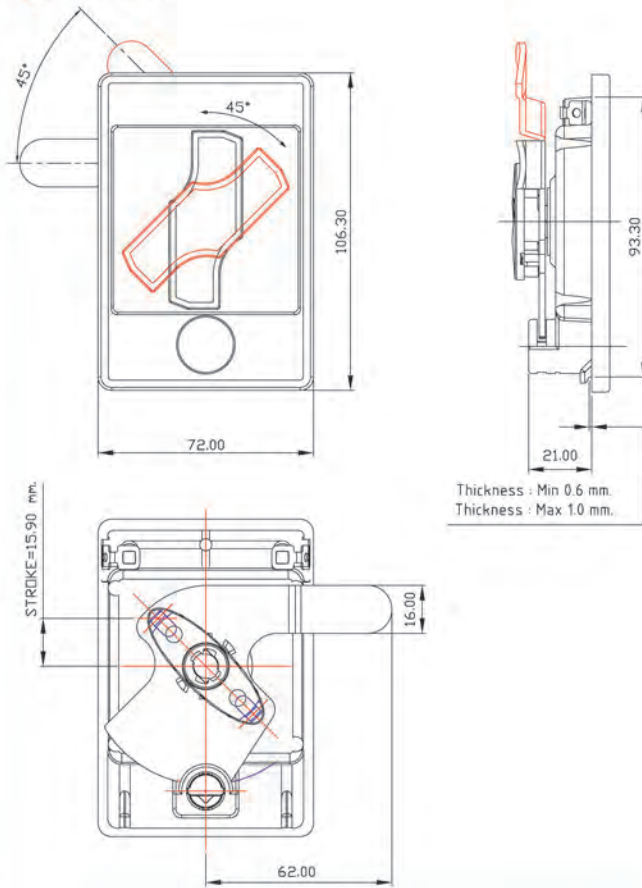
SPECIFICATIONS

- QUICK-FIX
- FLUSH HANDLE CAM LOCK WITH CAM TYPE G320
- ALUMINUM HOUSING (BLACK PLATED)
- ALUMINUM HANDLE (CHROME PLATED)

SET INCLUDES

- 1 FLUSH HANDLE CAM LOCK
- 1 CAM TYPE G320

DIMENSIONS



ORDERING DETAILS

SYSTEM	MODEL	FINISH	CAM / LEVER NO.
D KEYLESS	554R	04 BLACK E.D.P.	G320 *SEE CAM / LEVER SECTION

EXAMPLES:

D-554R-04-G320

FLUSH HANDLE CAM LOCK WITH CAM TYPE G320, BLACK E.D.P. FINISH